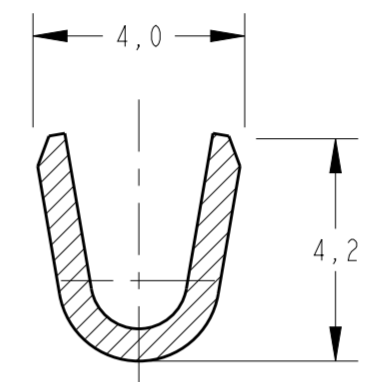
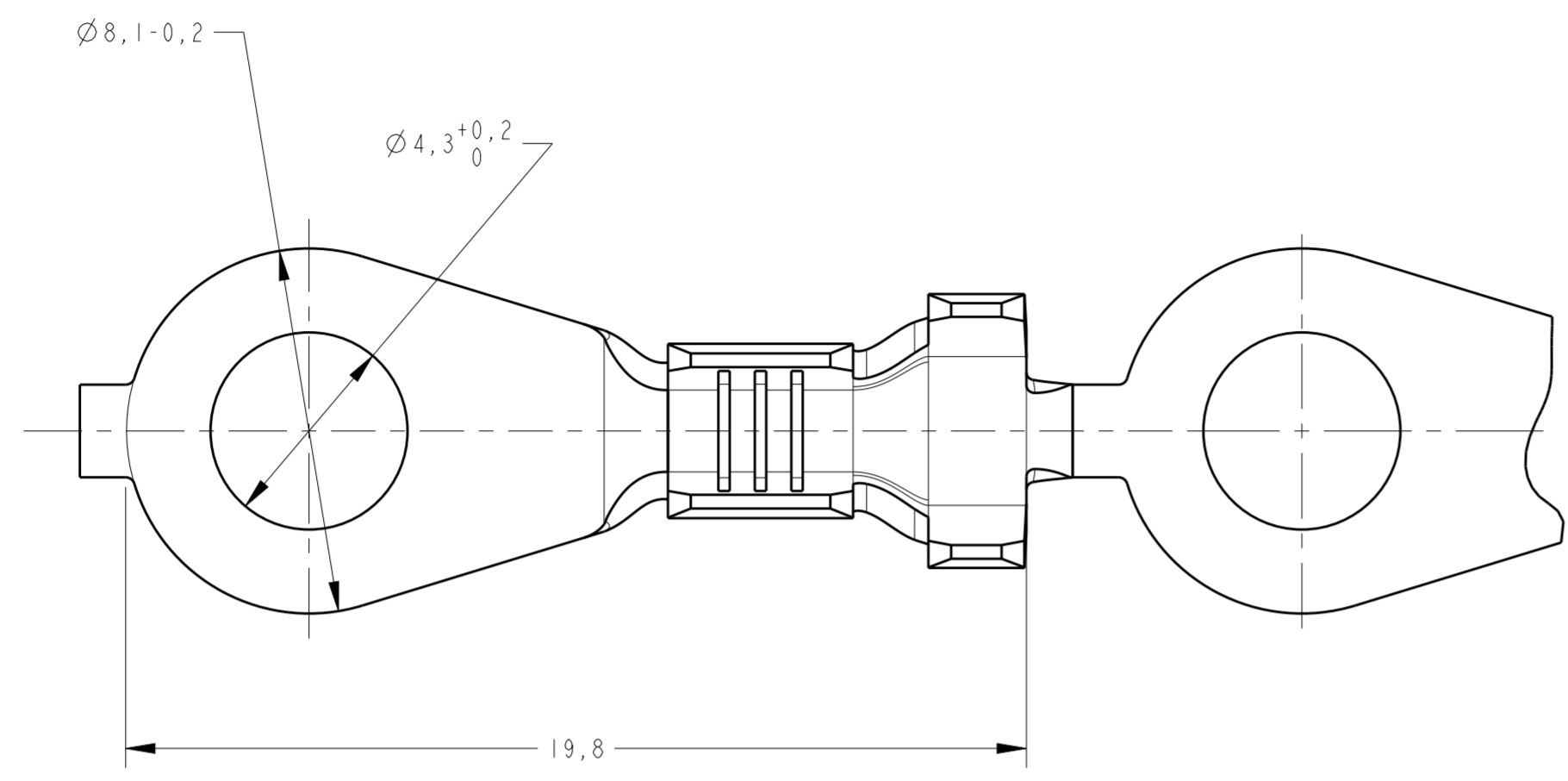


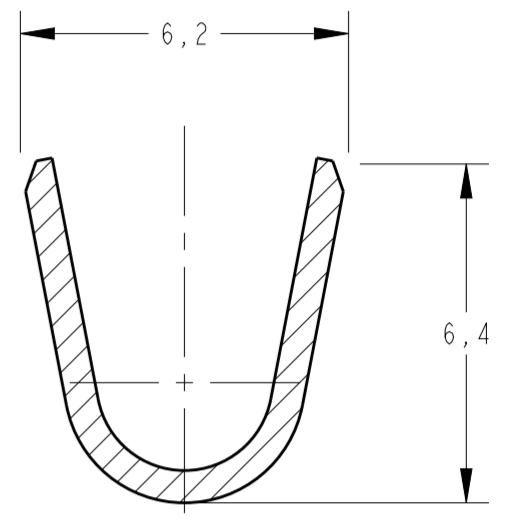
THIS DRAWING IS UNPUBLISHED. RELEASED FOR PUBLICATION 20
 © COPYRIGHT 20 BY - ALL RIGHTS RESERVED.

creo
 Creo Parametric 2.0
**DO NOT REVISE
 EXCEPT BY CAD**

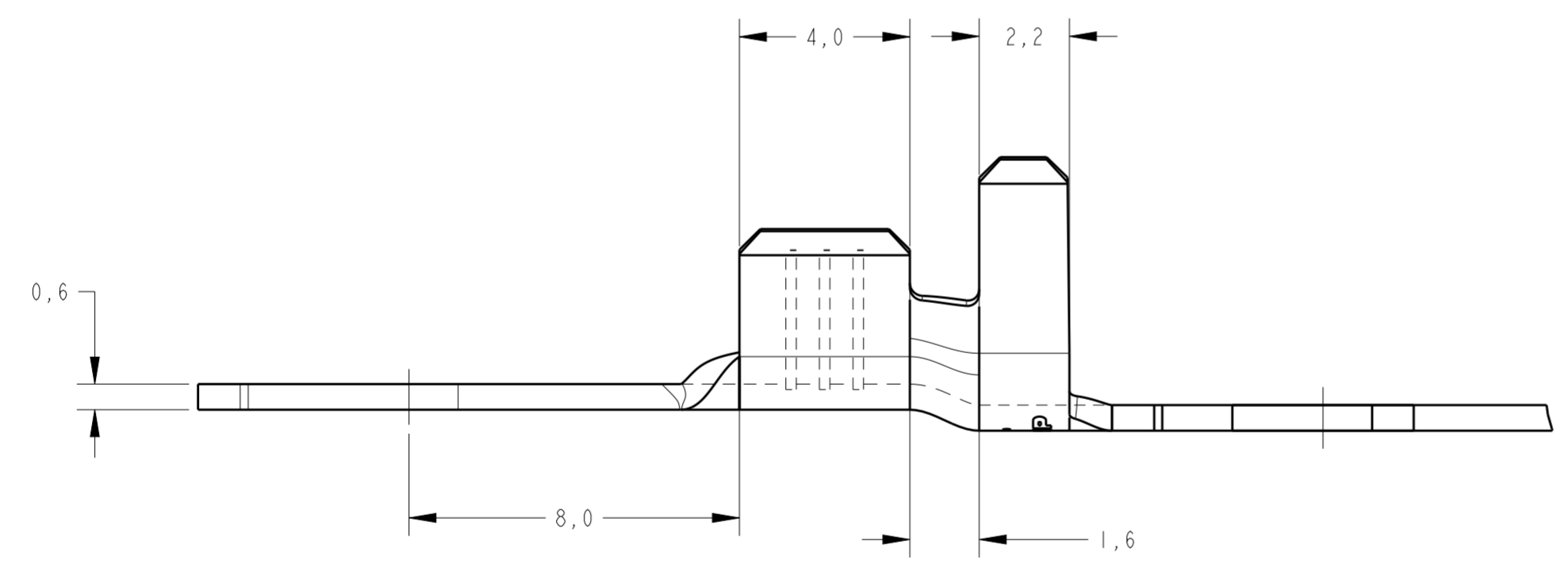
REVISIONS				
P	LTR	DESCRIPTION	DATE	APVD
B3		REV. BY ECO 17-007730	29MAY2017	HC WLS



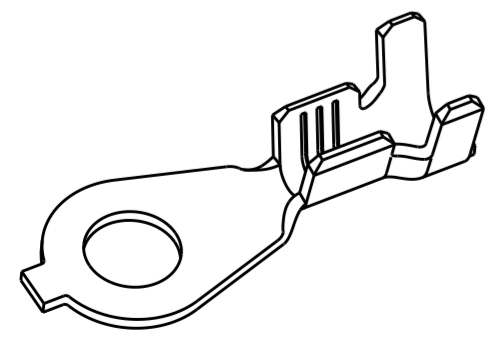
SECTION A-A
 SCALE 7:1



SECTION B-B
 SCALE 7:1



I - REBOBINAR INTERCALADO COM PAPEL.
 - REELING WITH PAPER-INTERLEAVE.



PERSPECTIVE VIEW
 SCALE 3:1

PEÇA SOLTA / LOOSE PIECE	ESTANHADO / TIN PLATED	MF-2	1-880642-2
PEÇA SOLTA / LOOSE PIECE	—	MF-1	1-880642-1
—	ESTANHADO / TIN PLATED	LATÃO / BRASS	880642-4
—	—	BRONZE FOSF./PHOSP. BRONZE	880642-3
—	ESTANHADO / TIN PLATED	LATÃO / BRASS	880642-2
—	—	LATÃO / BRASS	880642-1
LOOSE PIECE	FINISH	MATERIAL	PART NUMBER

THIS DRAWING IS A CONTROLLED DOCUMENT.		DWN NCLAPRESA 09DEC2014	TE Connectivity	
DIMENSIONS: mm		CHK ECHRISTIANO 09DEC2014		
		APVD LWPRADO 09DEC2014		
TOLERANCES UNLESS OTHERWISE SPECIFIED:		PRODUCT SPEC	NAME RING TONGUE	
0 PLC ±	1 PLC ±0,3	APPLICATION SPEC	SIZE A2	
2 PLC ±	3 PLC ±	WEIGHT	CAGE CODE -	
4 PLC ±	ANGLES ±°	CUSTOMER DRAWING	DRAWING NO C-880642	
FINISH	SEE TABLE	SCALE 7:1	RESTRICTED TO	
INS. DIA. RANGE 2,7-4,0mm	WIRE RANGE >1,0-2,5mm ²	SHEET 1 OF 1	REV B3	