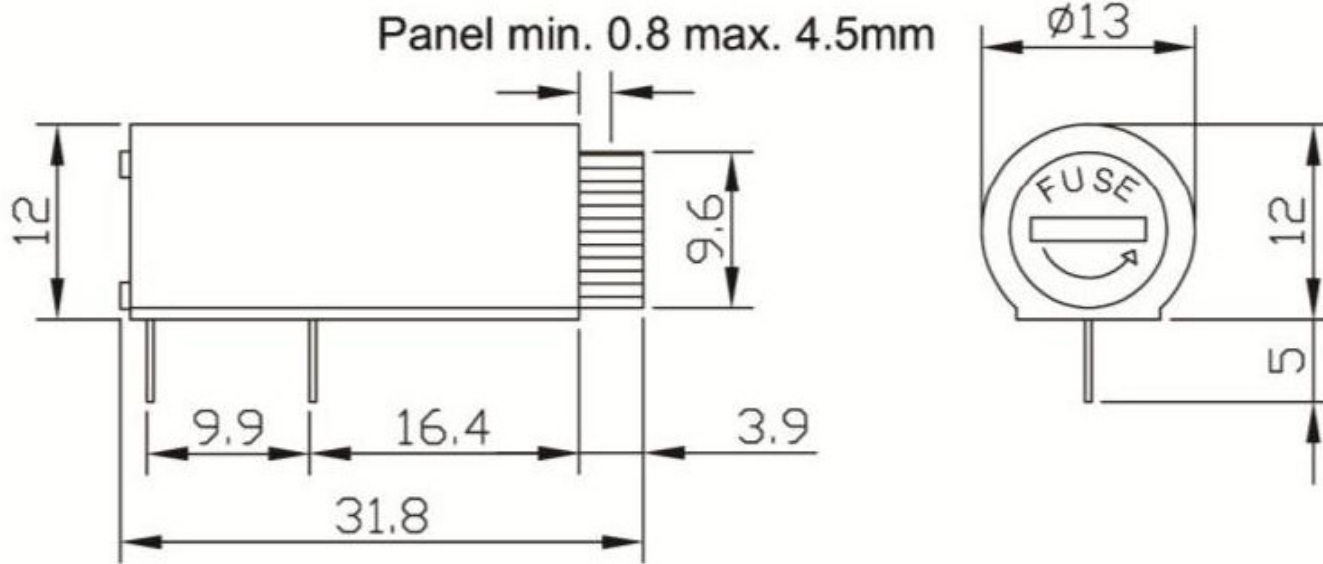
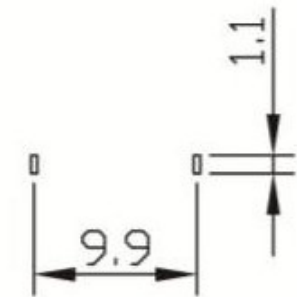


## KLS5-110



Mounting Holes



PCB Fuse Holder For Fuse 5.2×20mm

Suitable fuse: 5.2×20mm  
Rated Load: 5A.250V.AC  
Contact Resistance:  $\leq 5\text{m}\Omega$   
Insulation Resistance:  $\geq 500\text{M}\Omega$   
Withstand Voltage: AC1000V(50HZ)/Min  
Bottom & Cap: PA+30%GF  
Terminal: Tin Plated Brass