



---

---

## **Simple Car Audio Controller**

---

---

**PT2316A/B**

### **DESCRIPTION**

PT2316A and PT2316B are two-channel digital audio processors utilizing CMOS Technology specially designed for car audio and hi-fi systems. Volume, Bass, Treble, Right/Left Balance and Loudness Functions are incorporated into a single chip. Selectable gain, direct key mode as well as LED indicator for every function are also provided to build a highly effective electronic audio processor having the highest performance and reliability with the least external components. Pin assignments and application circuit are optimized for easy PCB Layout and cost saving benefits.

### **FEATURES**

- CMOS Technology
- Low Power Consumption
- Least External Components
- Treble and Bass Control
- Loudness Function
- Balance Function
- Direct Key Mode
- LED Display Indicator for every Function
- Low Total Harmonic Distortion: THD<0.1%
- 2 Channels in the same chip

### **APPLICATIONS**

- Car Stereo (Audio)
- Hi-Fi Audio System



---

---

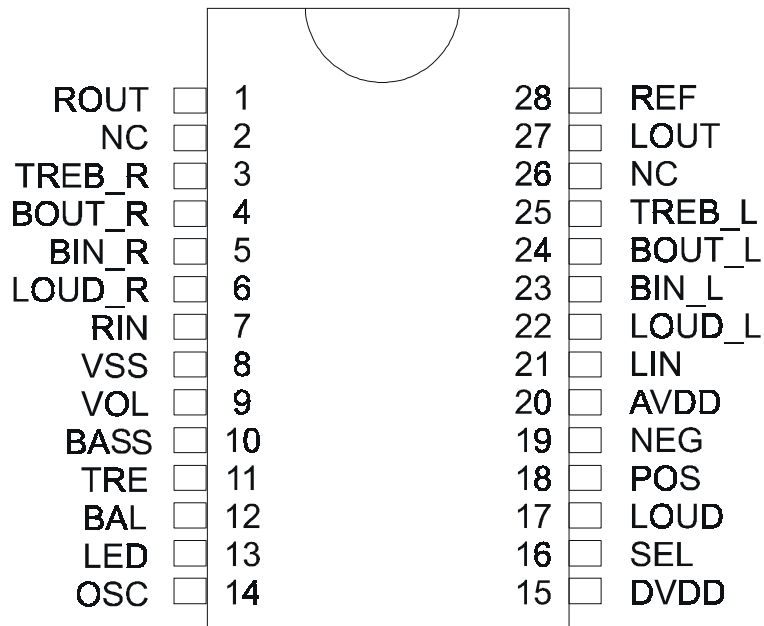
Simple Car Audio Controller

PT2316A/B

---

---

**PIN CONFIGURATION**



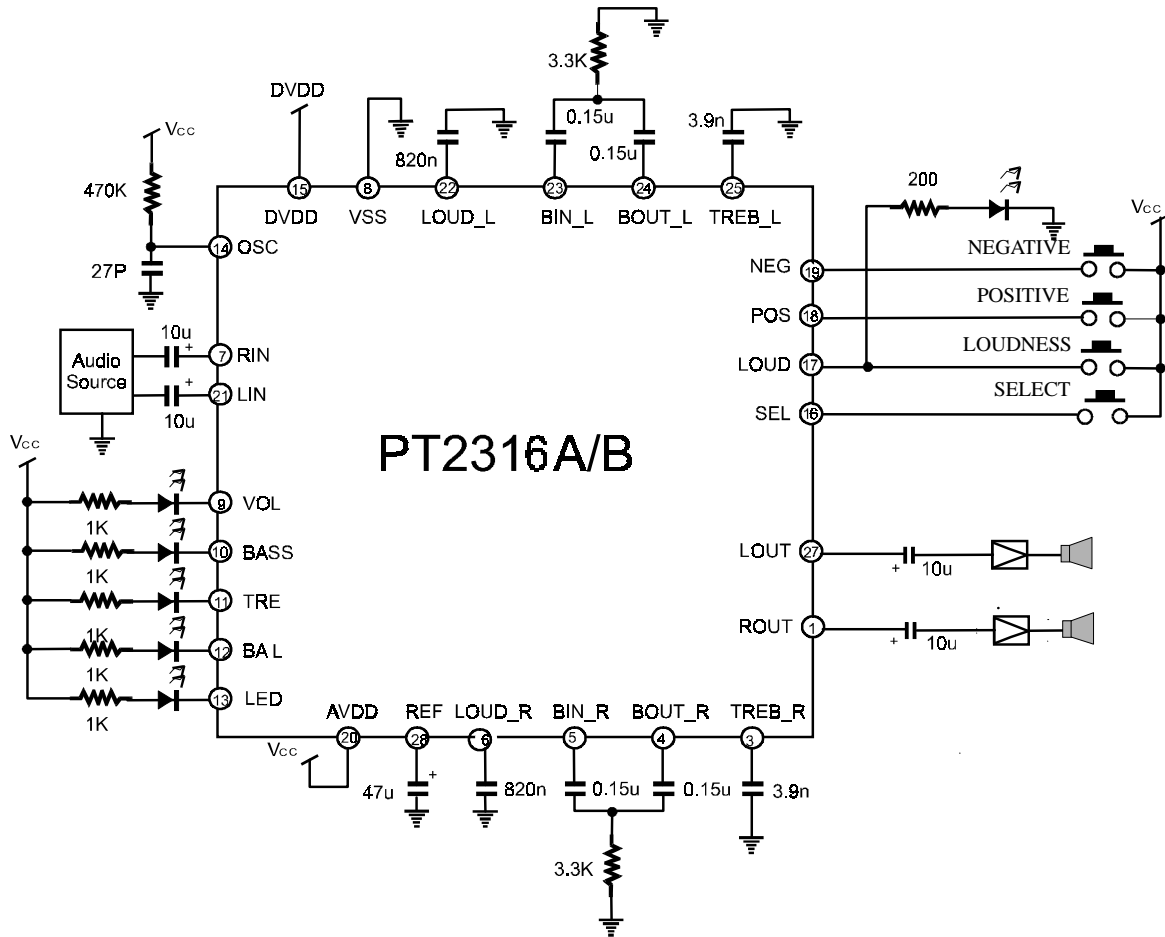
**PT2316A/B**



Simple Car Audio Controller

PT2316A/B

APPLICATION CIRCUIT



ORDER INFORMATION

Valid Part Number	Package
PT2316A	28 Pins, DIP (300 mil)
PT2316B	28 Pins, DIP (300 mil)
PT2316A-S	28 Pins, SO (300 mil)
PT2316B-S	28 Pins, SO (300 mil)