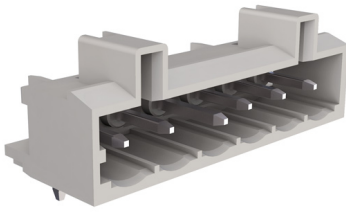


Category: 插拔式端子-插座/Plug-in terminal-plug

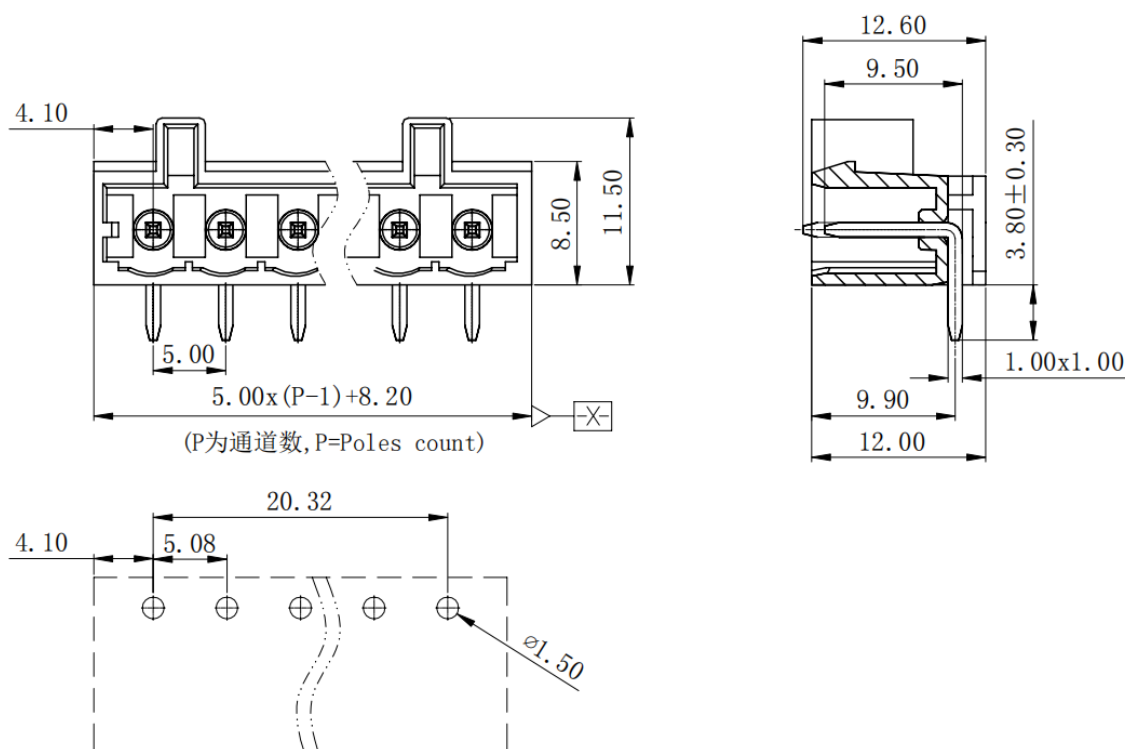
Product name: 4508XX-00D

Product Description: 5.0mm , 320V , 16A

CE,UL,CQC,TUV



## Product Picture



## 基本信息 /Basic Information

产品型号 SUPU ID	4508XX-00D
产品间距 Pitch	5.0mm
产品层数 Number of levels	1
产品位数 Number of connections	3P-24P
接线方式 Connection method	-

防护等级 Protection Level	IP20
工作温度 Work temperature	-40~+105°C

## IEC数据 /IEC Data

额定电流 Rated Current	16A
额定电压 Rated Voltage	320V
过压类别 Overvoltage category	III III II
污染等级 Pollution degree	3 2 2
额定冲击电压 Rated impulse voltage	4KV 4KV 4KV
额定电压 Rated Voltage	320V 320V 630V
硬导线截面积 Conductor cross section solid	-
柔性导线截面积 Conductor cross section flexible	-
柔性导线截面积，带绝缘管套 Conductor cross section flexible,with furrule	-
锁线螺钉规格 Locking screw Specification	-
额定扭矩 Rated Torque	-
固定螺钉规格 Fixed Screw Specification	-
额定扭矩 Rated Torque	-
剥线长度 Stripping length	-

## UL数据 /UL Data

使用组别 Use group	B	C	D
额定电流 Rated Current	15A	-	10A

额定电压 Rated Voltage	300V	-	300V
额定接线容量 Rated cross section	-		

## 材料信息 /Material Data

绝缘材料 Insulation material	PA66		
绝缘材料组别 Insulation material group	I		
阻燃等级,符合UL94 Flame retardant grade, UL94 compliance	V0		
导体材料 Contact material	Copper alloy		
导体表面镀层 Surface characteristics	Sn,Plated		

## 产品认证 /Product Certification

认证图标  
Certificate



UL证书号  
UL file No.

VDE证书号  
VDE No.

TUV证书号  
TUV No.

Ningbo Supu Electronics Co.,Ltd

Zip code: 315303

Fax: +86 574-63288170

E-mail : askme@supu.cn

Address: No. 625, Kandun Town Street, Cixi  
City, Zhejiang Province

Switchboard: +86 574-63288158

E-mail : askme@supu.cn

Service Hotline: 400-626-6336



Code

File date : 2024-11-13 13:01

Product Entry : 2023-09-20

The right to modify data belongs to  
Supu.