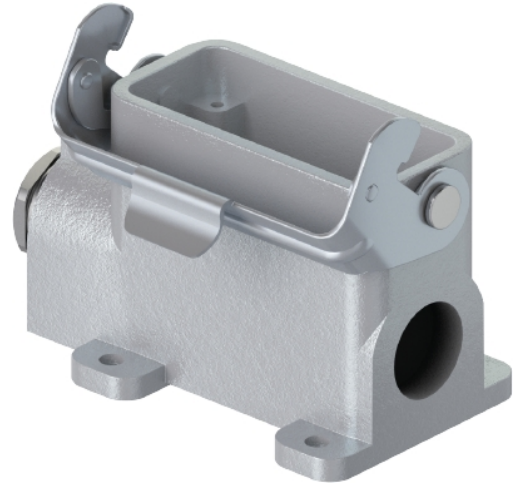


## Data sheet

Commercial Art.No.: 76.335.2535.0

Bottom HD GUT GM 25 M25 50 A0

Bottom-base revos HD made of aluminum, with single locking lever and cable gland M25 on the left side (IP54), low version, 25-poles



Commercial Art.No.	76.335.2535.0
EAN	4015573619517
Order Unit	1

## Technical data

### General

Housing material	aluminum
Color	Grey
Surface	With powder coating
Degree of protection (IP)	IP54
UV resistant	yes
Inflammability class of insulation material acc. with UL94	Other
Operating temperature range min.	-40 °C
Operating temperature range max.	120 °C

### Model

Construction	16/25
Locking mechanism	Single locking lever
Cable entry	Sideways
Type of cable	Gland nut
With cable screw gland	yes
Thread size M	25
Thread size PG	
Hinged lid	No
EMC-version	No
Length	96 mm
Width	50 mm
Height	57.5 mm

### Classification

ECLASS 11	
-----------	--

ECLASS 8.1	27440202
ETIM 7.0	EC000437
ETIM 6.0	EC000437
ETIM 5.0	EC000437
ETIM 4.0	EC000437
ETIM 3.0	EC000437

**Product compliance**

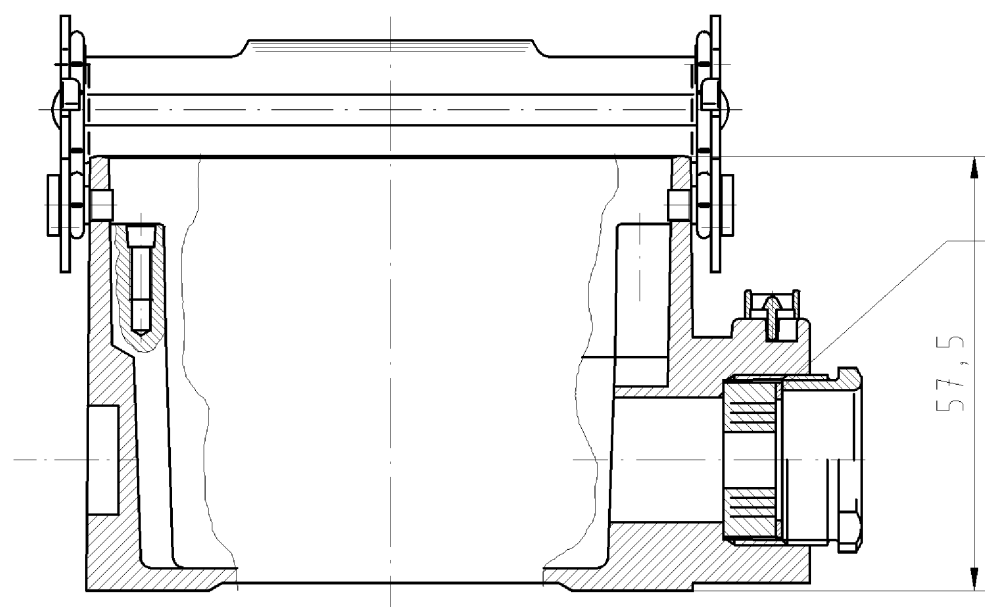
ROHS conformity status	Compliant/Exempted
ROHS exceptions	III-6(c)
REACH-SVHC conformity status	Duty-To-Declare
REACH-SVHC substances	Lead
REACH-SVHC CAS numbers	7439-92-1

**Fits with**

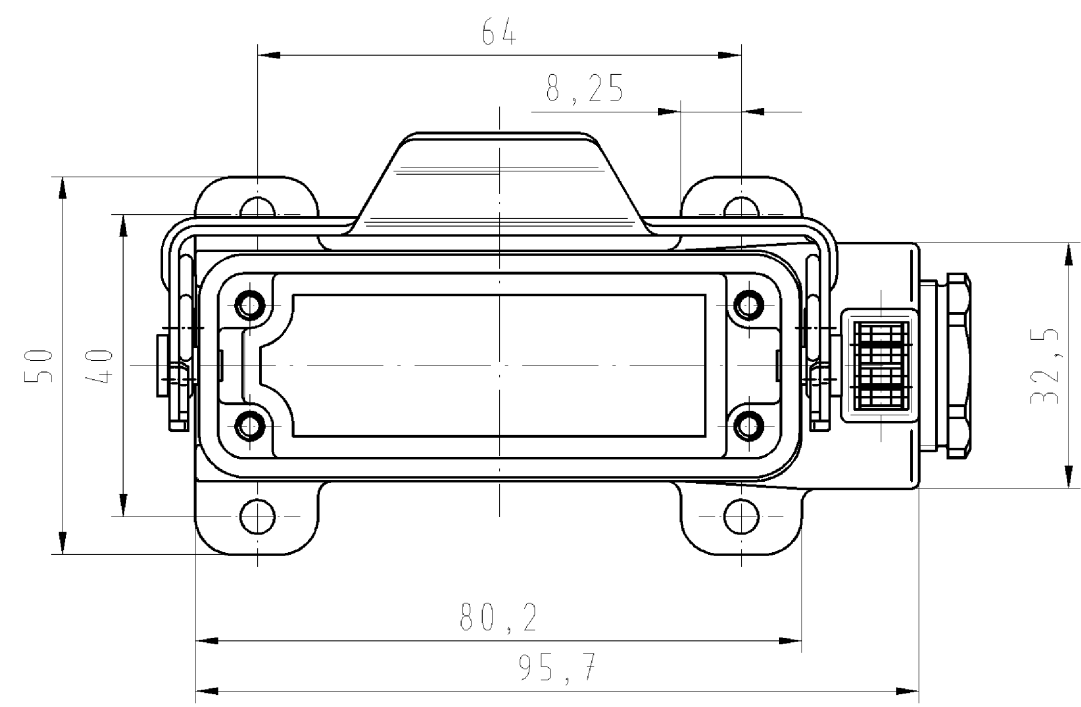
Commercial Art.No.:	Article-type description:	Description:
73.300.1653.0	Female insert HD BUS 16 2,5 25 AG	revos BASIC HD 16 pole + ground, female insert 250V/16A, screw connection
73.300.1653.3	Female insert HD BUS SB 16 2,5 25 AG	revos BASIC HD 16 pole + ground, female insert, marked 17-32, 250V/16A, screw connection
73.310.1653.0	Male insert HD STS 16 2,5 25 AG	revos BASIC HD 16 pole + ground, male insert 250V/16A, screw connection
73.310.1653.3	Male insert HD STS SB 16 2,5 25 AG	revos BASIC HD 16 pole + ground, male insert, marked 17-32, 250V/16A, screw connection
73.700.2553.0	Female insert HD BUC 25 25	revos HD 25 pole + ground, female insert 250V/10A, crimp connection
73.710.2553.0	Male insert HD STC 25 25	revos HD 25 pole + ground, male insert 250V/10A, crimp connection

These dimensions will be especially checked at delivery  
 Only inspection dimensions  
 With /E marked dimensions are only valid for internal use

Diese Maße werden bei Abnahme besonders geprüft  
 Ausschließlich Prüfmaße  
 Mit /E gekennzeichnete Maße sind nur für interne Zwecke gültig



Pos. 4  
Druckring



Weitere Daten siehe Katalog  
 further data see catalog

Teile-Nr. part-nr.	Typ type
76.335.2535.0	HD GUT GM 25 M25 50 A0
76.335.2535.1	HD GUT GM 25 M25 50 A1

Tolerierung nach DIN 7167/Tolerance system acc. to DIN 7167. (This DIN-standard describes the envelope principle. According to the envelope principle the deviations of form and parallelism are limited by the size tolerances).				ja/yes <input checked="" type="checkbox"/> Stoffverbots- und Deklarationsliste nach UU-TQM-05/03 ist einzuhalten. Conformity with Wieland document UU-TQM-05/03 (list of prohibited / declarable hazardous substances) to be declared!				
Freitoleranz nach - General tolerance		CAD - Zeichnung, keine manuellen Änderungen CAD - drawing, no manual modifications allowed		1. Verwendung: - First Use:		Blatt: 1 von 1 Sheet: of 1		
		Werkstoff/Material	2006	Tag/Date	Name	T	Zeichnung Nr./Drawing No.	
			gezeichnet drawn	25.04.	Schmitt J.			76.335.2535.0 01K
			geprüft checked	-	-			
		Normgepr. Stand. check	-	-				
Maße in mm/Dimensions are in mm								
		Vol.	mm <sup>3</sup>	Oil./Surf.	mm <sup>2</sup>	Ersatz für/Replacement for: -		
		<b>wieland</b> Elektrische Verbindungen		Type	Benennung/Title			
				<b>GEHAEUSE_UNTERTEIL</b> housing lower part Größe/size 25 M 25 1 x links/left				
Index	Datum / Blatt Date / Sheet	Änderung/Revision						

Weitergabe sowie Vervielfältigung dieses Dokuments, Verwertung und Mitteilung seines Inhalts sind verboten, soweit nicht ausdrücklich gestattet.  
 The reproduction, distribution and utilization of this document as well as the communication of its contents to others without express authorization is prohibited.

763352535001K\_4\_CADW1044\_Schnitt: 2006-05-03T08:19:53 1.000