

Data sheet

Commercial Art.No.: 73.710.6458.0

Male insert HD STC 64 25

revos HD 64 pole + ground, male insert 250V/10A, crimp connection



Commercial Art.No.	73.710.6458.0
EAN	4015573230316
Order Unit	10

Certificates / Approvals



Technical data

General

Model	Pin insert
Inflammability class of insulation material acc. with UL94	V0
Color	Grey
Mating cycles	50
Pollution degree	3
Modular version	No
Operating temperature range min.	-40 °C
Operating temperature range max.	120 °C

Connection Data

Connection type	Crimp
Number of poles	64
Plus switching contacts	0
Number of pole for rated current 2	0
Number of pole for rated current 3	0
Total number of poles (without ground contact)	64
With wire protection	No
Protective contact	yes

Technical Data UL/CSA

Rated voltage according to UL/CSA	600 V
Rated current according CSA	10 A
Min. conductor cross section flexible wire	0.2 mm ²
Max. conductor cross section flexible wire	1.5 mm ²
Conductor cross section flexible AWG wire	24-16 AWG

Model

With housing	No
--------------	----

Contacts

Contact material	See contacts
Surface	See contacts
Contact resistance	≤ 4 mOhm
Wire strip length	4 mm

Screws head design/recomm. Torque

Mounting screws	H1/0.5-0.7 Nm
Ground conductor screws	M3.5/0.8-1.0 Nm Slot

Technical Data DIN EN 61984

Nominal voltage	250 V
Rated voltage face/ground	250 V
Nominal current	10 A
Rated impulse voltage	4 kV

Classification

ECLASS 11	
ECLASS 8.1	27440205
ETIM 7.0	EC000438
ETIM 6.0	EC000438
ETIM 5.0	EC000438
ETIM 4.0	EC000438
ETIM 3.0	EC000438

Accessories

Commercial Art.No.:	Article-type description:	Description:
05.544.0929.0	Male contact 0,2-0,56 QMM	Male contact, stamped Ø 1,6 mm, 0,2-0,56 mm ² , AWG 24-20, Sn
05.544.1000.0	Male contact 0,5-1,5 QMM	Male contact, stamped Ø 1,6 mm, reel contacts, 0,75-1,5 mm ² , AWG 18-16, Sn
05.544.1029.0	Male contact 0,5-1,5 QMM	Male contact, stamped Ø 1,6 mm, 0,75-1,5 mm ² , AWG 18-16, Sn
05.544.1429.0	Male contact 0,5-1,5 QMM AU	Male contact, stamped Ø 1,6 mm, 0,5-1,5 mm ² , AWG 20-16, Au
05.544.1400.0	Male contact 0,5-1,5 QMM AU	Male contact, stamped Ø 1,6 mm, reel contacts, 0,5-1,5 mm ² , AWG 20-16, Au

Fits with

Commercial Art.No.:	Article-type description:	Description:
73.100.6453.0	Multipole adapter HD BAS WL 64 2,5 25	Multipole adapter revos HD 250V/10A 64 pole + ground, female insert, ground left
73.105.6453.0	Multipole adapter HD BAS WR 64 2,5 25	Multipole adapter revos HD 250V/10A 64 pole + ground, female insert, ground right
76.350.6435.0	Hood BAS GOT GG 24HM25 50 A0	Hood revos basic made of aluminum, for single locking lever with cable gland M25 on the right side (IP54), low version, 24-poles
76.350.6435.1	Hood BAS GOT GG 24HM25 50 A1	Hood revos basic made of aluminum, for single locking lever with threaded hole M25 on the right side, low version, 24-poles

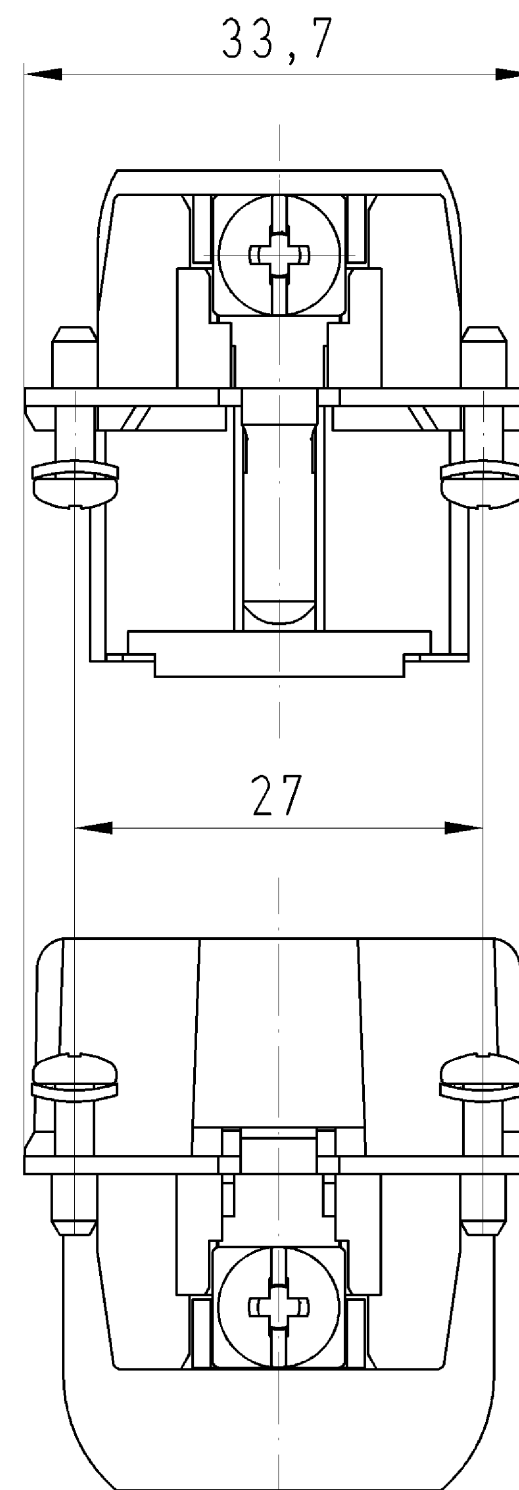
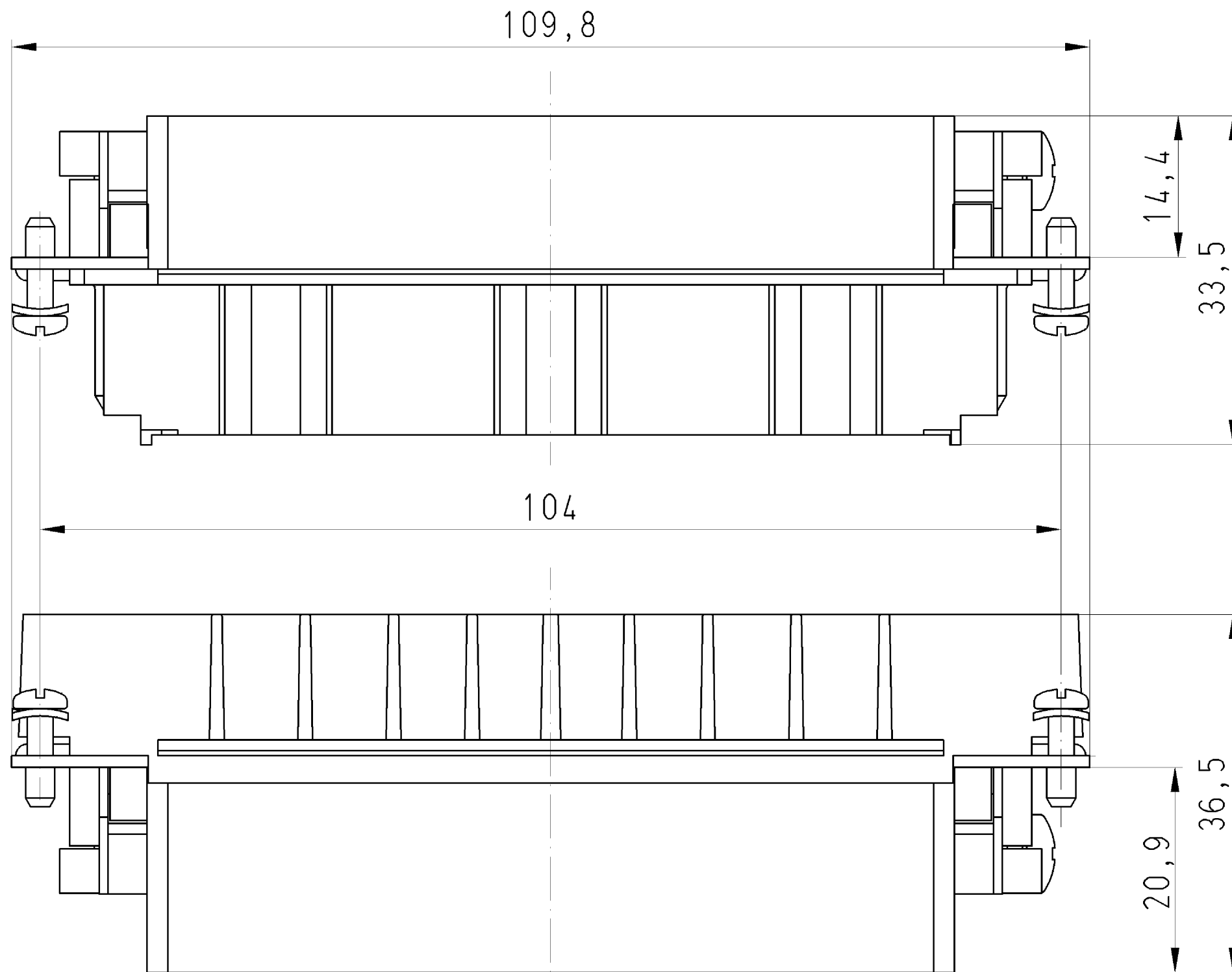
76.350.6435.3	Hood BAS GOT GG 24H M25 A3	Hood revos basic made of aluminum, for single locking lever with trumpet gland M25 on the right side (IP54), low version, 24-poles
76.351.2435.0	Hood BAS GOT GH 24H M25 A0	Hood revos basic made of aluminum, for single locking lever with cable gland M25 on the front (IP54), low version, 24-poles
76.351.2435.1	Hood BAS GOT GH 24H M25 A1	Hood revos basic made of aluminum, for single locking lever with threaded hole M25 on the front, low version, 24-poles
76.351.2435.3	Hood BAS GOT GH 24H M25 A3	Hood revos basic made of aluminum, for single locking lever with trumpet gland M25 on the front (IP54), low version, 24-poles
76.352.6435.0	Hood BAS GOT GI 24HM25 50 A0	Hood revos basic made of aluminum, for single locking lever with cable gland M25 on the top (IP54), low version, 24-poles
76.352.6435.1	Hood BAS GOT GI 24HM25 50 A1	Hood revos basic made of aluminum, for single locking lever with threaded hole M25 on the top, low version, 24-poles
76.352.6435.3	Hood BAS GOT GI 24H M25 A3	Hood revos basic made of aluminum, for single locking lever with trumpet gland M25 on the top (IP54), low version, 24-poles
76.353.6435.0	Hood BAS GOT GG 24HM32 50 A0	Hood revos basic made of aluminum, for single locking lever with cable gland M32 on the right side (IP54), low version, 24-poles
76.353.6435.1	Hood BAS GOT GG 24HM32 50 A1	Hood revos basic made of aluminum, for single locking lever with threaded hole M32 on the right side, low version, 24-poles
76.353.6435.3	Hood BAS GOT GG 24H M32 A3	Hood revos basic made of aluminum, for single locking lever with trumpet gland M32 on the right side (IP54), low version, 24-poles
76.354.6435.0	Hood BAS GOT GI 24HM32 50 A0	Hood revos basic made of aluminum, for single locking lever with cable gland M32 on the top (IP54), low version, 24-poles
76.354.6435.1	Hood BAS GOT GI 24HM32 50 A1	Hood revos basic made of aluminum, for single locking lever with threaded hole M32 on the top, low version, 24-poles
76.360.6435.1	Hood BAS GOT GG 24H M40 A1	Hood revos basic made of aluminum, for single locking lever with threaded hole M40 on the right side, low version, 24-poles
76.362.6435.1	Hood BAS GOT GI 24H M40 A1	Hood revos basic made of aluminum, for single locking lever with threaded hole M40 on the top, low version, 24-poles
76.334.6435.0	Bottom BAS GUT GL 24HM32 50 A0	Bottom-base revos basic made of aluminum, with single locking lever and cable gland M32 on the right and left side (IP54), low version, 24-polig
76.334.6435.1	Bottom BAS GUT GL 24HM32 50 A1	Bottom-base revos basic made of aluminum, with single locking lever and threaded hole M32 on the right and left side, low version, 24-polig
76.335.6435.0	Bottom BAS GUT GM 24HM32 50 A0	Bottom-base revos basic made of aluminum, with single locking lever and cable gland M32 on the left side (IP54), low version, 24-polig
76.335.6435.1	Bottom BAS GUT GM 24HM32 50 A1	Bottom-base revos basic made of aluminum, with single locking lever and threaded hole M32 on the left side, low version, 24-polig
76.337.6435.0	Bottom BAS GUT GO 24HM32 50 A0	Bottom-base revos basic made of aluminum, with single locking lever and cable gland M32 on the bottom (IP54), low version, 24-polig
76.337.6435.1	Bottom BAS GUT GO 24HM32 50 A1	Bottom-base revos basic made of aluminum, with single locking lever and threaded hole M32 on the bottom, low version, 24-polig
76.344.6435.0	Bottom BAS GUT GR 24HM32 50 A0	Bottom-base revos basic made of aluminum, with single locking lever and cable gland M32 on the right and the left side, with protective cover (IP54), low version, 24-polig
76.344.6435.1	Bottom BAS GUT GR 24HM32 50 A1	Bottom-base revos basic made of aluminum, with single locking lever and threaded hole M32 on the right and the left side, with protective cover, low version, 24-polig
76.345.6435.0	Bottom BAS GUT GS 24HM32 50 A0	Bottom-base revos basic made of aluminum, with single locking lever and cable gland M32 on the left side, with protective cover (IP54), low version, 24-polig
76.345.6435.1	Bottom BAS GUT GS 24HM32 50 A1	Bottom-base revos basic made of aluminum, with single locking lever and threaded hole M32 on the left side, with protective cover, low version, 24-polig
76.346.6435.0	Bottom BAS GUT GT 24HM32 50 A0	Bottom-base revos basic made of aluminum, with single locking lever and cable gland M32 on the right side, with protective cover (IP54), low version, 24-polig

76.346.6435.1	Bottom BAS GUT GT 24HM32 50 A1	Bottom-base revos basic made of aluminum, with single locking lever and threaded hole M32 on the right side, with protective cover, low version, 24-polig
76.347.6435.1	Bottom BAS GUT GU 24HM32 50 A1	Bottom-base revos basic made of aluminum, with single locking lever and threaded hole M32 on the bottom, with protective cover, low version, 24-polig
73.350.6435.0	Hood BAS GOT GA 24HM25 50 A0	Hood revos basic made of aluminum, for double locking lever or. screw cap with cable gland M25 on the right side (IP54), low version, 24-poles
73.350.6435.1	Hood BAS GOT GA 24HM25 50 A1	Hood revos basic made of aluminum, for double locking lever or. screw cap with threaded hole M25 on the right side, low version, 24-poles
73.350.6435.2	Hood BAS GOT GA 24HM25 50 A2	Hood revos basic made of aluminum, for double locking lever or. screw cap with nozzle M25 on the right side, low version, 24-poles
73.350.6435.3	Hood BAS GOT GA 24H M25 A3	Hood revos basic made of aluminum, for double locking lever or. screw cap with trumpet gland M25 on the right side (IP54), low version, 24-poles
73.351.2435.0	Hood BAS GOT GB 24H M25 A0	Hood revos basic made of aluminum, for double locking lever and cable gland M25 on the front (IP54), low version, 24-poles
73.351.2435.1	Hood BAS GOT GB 24H M25 A1	Hood revos basic made of aluminum, for double locking lever and threaded hole M25 on the front, low version, 24-poles
73.351.2435.3	Hood BAS GOT GB 24H M25 A3	Hood revos basic made of aluminum, for double locking lever and trumpet gland M25 on the front (IP54), low version, 24-poles
73.352.6435.0	Hood BAS GOT GC 24HM25 50 A0	Hood revos basic made of aluminum, for double locking lever or. screw cap with cable gland M25 on the top (IP54), low version, 24-poles
73.352.6435.1	Hood BAS GOT GC 24HM25 50 A1	Hood revos basic made of aluminum, for double locking lever or. screw cap with threaded hole M25 on the top, low version, 24-poles
73.352.6435.3	Hood BAS GOT GC 24H M25 A3	Hood revos basic made of aluminum, for double locking lever or. screw cap with trumpet gland M25 on the top (IP54), low version, 24-poles
73.353.6435.0	Hood BAS GOT GA 24HM32 50 A0	Hood revos basic made of aluminum, for double locking lever or. screw cap with cable gland M32 on the right side (IP54), low version, 24-poles
73.353.6435.1	Hood BAS GOT GA 24H M32 A1	Hood revos basic made of aluminum, for double locking lever or. screw cap with threaded hole M32 on the right side, low version, 24-poles
73.353.6435.2	Hood BAS GOT GA 24HM32 50 A2	Hood revos basic made of aluminum, for double locking lever or. screw cap with nozzle M32 on the right side, low version, 24-poles
73.353.6435.3	Hood BAS GOT GA 24H M32 A3	Hood revos basic made of aluminum, for double locking lever or. screw cap with trumpet gland M32 on the right side (IP54), low version, 24-poles
73.354.6435.0	Hood BAS GOT GC 24HM32 50 A0	Hood revos basic made of aluminum, for double locking lever or. screw cap with cable gland M32 on the top (IP54), low version, 24-poles
73.354.6435.1	Hood BAS GOT GC 24HM32 50 A1	Hood revos basic made of aluminum, for double locking lever or. screw cap with threaded hole M32 on the top, low version, 24-poles
73.354.6435.3	Hood BAS GOT GC 24HM32 A3	Hood revos basic made of aluminum, for double locking lever or. screw cap with trumpet gland M32 on the top (IP54), low version, 24-poles
73.355.6435.0	Hood BAS GOT GD 24HM25 50 A0	Hood revos basic made of aluminum, with double locking lever and cable gland M25 on the right side (IP54), low version, 24-poles
73.355.6435.1	Hood BAS GOT GD 24HM25 50 A1	Hood revos basic made of aluminum, with double locking lever and threaded hole M25 on the right side, low version, 24-poles
73.355.6435.3	Hood BAS GOT GD 24HM25 A3	Hood revos basic made of aluminum, with double locking lever and trumpet gland M25 on the right side (IP54), low version, 24-poles

73.357.6435.0	Hood BAS GOT GF 24HM25 50 A0	Hood revos basic made of aluminum, with double locking lever and cable gland M25 on the top (IP54), low version, 24-poles
73.357.6435.1	Hood BAS GOT GF 24HM25 50 A1	Hood revos basic made of aluminum, with double locking lever and threaded hole M25 on the top, low version, 24-poles
73.358.6435.0	Hood BAS GOT GD 24HM32 50 A0	Hood revos basic made of aluminum, with double locking lever and cable gland M32 on the right side (IP54), low version, 24-poles
73.358.6435.1	Hood BAS GOT GD 24HM32 50 A1	Hood revos basic made of aluminum, with double locking lever and threaded hole M32 on the right side, low version, 24-poles
73.358.6435.3	Hood BAS GOT GD 24HM32 A3	Hood revos basic made of aluminum, with double locking lever and trumpet gland M32 on the right side (IP54), low version, 24-poles
73.359.6435.0	Hood BAS GOT GF 24HM32 50 A0	Hood revos basic made of aluminum, with double locking lever and cable gland M32 on the top (IP54), low version, 24-poles
73.359.6435.1	Hood BAS GOT GF 24HM32 50 A1	Hood revos basic made of aluminum, with double locking lever and threaded hole M32 on the top, low version, 24-poles
73.360.6435.0	Hood BAS GOT GA 24HM40 A0	Hood revos basic made of aluminum, for double locking lever or. screw cap with cable gland M40 on the right side (IP54), low version, 24-poles
73.360.6435.1	Hood BAS GOT GA 24HM40 50 A1	Hood revos basic made of aluminum, for double locking lever or. screw cap with threaded hole M40 on the right side, low version, 24-poles
73.362.6435.0	Hood BAS GOT GC 24HM40 A0	Hood revos basic made of aluminum, for double locking lever or. screw cap with cable gland M40 on the top (IP54), low version, 24-poles
73.362.6435.1	Hood BAS GOT GC 24HM40 50 A1	Hood revos basic made of aluminum, for double locking lever or. screw cap with threaded hole M40 on the top, low version, 24-poles
73.365.6435.1	Hood BAS GOT GD 24HM40 A1	Hood revos basic made of aluminum, with double locking lever and threaded hole M40 on the right side, low version, 24-poles
73.367.6435.0	Hood BAS GOT GF 24HM40 A0	Hood revos basic made of aluminum, with double locking lever and cable gland M40 on the top (IP54), low version, 24-poles
73.334.6435.0	Bottom BAS GUT GB 24HM32 50 A0	Bottom-base revos basic made of aluminum, with double locking lever or.screw cap with cable gland M32 on the right and left side (IP54), low version, 24-polig
73.334.6435.1	Bottom BAS GUT GB 24HM32 50 A1	Bottom-base revos basic made of aluminum, with double locking lever or.screw cap with threaded hole M32 on the right and left side, low version, 24-polig
73.335.6435.0	Bottom BAS GUT GC 24HM32 50 A0	Bottom-base revos basic made of aluminum, with double locking lever or.screw cap with cable gland M32 on the left side (IP54), low version, 24-polig
73.335.6435.1	Bottom BAS GUT GC 24HM32 50 A1	Bottom-base revos basic made of aluminum, with double locking lever or.screw cap with threaded hole M32 on the left side, low version, 24-polig
73.337.6435.0	Bottom BAS GUT GD 24HM32 50 A0	Bottom-base revos basic made of aluminum, with double locking lever or.screw cap with cable gland M32 on the right side (IP54), low version, 24-polig
73.337.6435.1	Bottom BAS GUT GD 24HM32 50 A1	Bottom-base revos basic made of aluminum, with double locking lever or.screw cap with threaded hole M32 on the right side, low version, 24-polig
73.338.6435.1	Bottom BAS GUT GB 24H M40 A1	Bottom-base revos basic made of aluminum, with double locking lever or.screw cap with threaded hole M40 on the right and left side, low version, 24-polig
73.339.6435.1	Bottom BAS GUT GC 24H M40 A1	Bottom-base revos basic made of aluminum, with double locking lever or.screw cap with threaded hole M40 on the left side, low version, 24-polig
73.344.6435.0	Bottom BAS GUT GF 24HM32 50 A0	Bottom-base revos basic made of aluminum, for double locking lever withcable gland M32 on the left and right side, with protective cover (IP54), low version, 24-polig

73.344.6435.1	Bottom BAS GUT GF 24HM32 50 A1	Bottom-base revos basic made of aluminum, for double locking lever with threaded hole M32 on the left and right side, with protective cover, low version, 24-pole
73.345.6435.0	Bottom BAS GUT GG 24HM32 50 A0	Bottom-base revos basic made of aluminum, with double locking lever and cable gland M32 on the left side, with protective cover (IP54), low version, 24-pole
73.345.6435.1	Bottom BAS GUT GG 24HM32 50 A1	Bottom-base revos basic made of aluminum, with double locking lever and threaded hole M32 on the left side, with protective cover, low version, 24-pole
73.346.6435.1	Bottom BAS GUT GH 24HM32 50 A1	Bottom-base revos basic made of aluminum, with double locking lever and threaded hole M32 on the right side, with protective cover, low version, 24-pole
73.347.6435.0	Bottom BAS GUT GI 24HM32 50 A0	Bottom-base revos basic made of aluminum, with double locking lever and cable gland M32 on the bottom, with protective cover (IP54), low version, 24-pole
70.320.2438.0	Bottom BAS GUE GA 24 50 A	Bottom-base-EMV revos basic made of aluminum, with double locking lever, open, low version, 24-poles
73.700.6458.0	Female insert HD BUC 64 25	revos BASIC HD 64 pole + ground, female insert 250V/10A, crimp connection

Diese Maße werden bei Abnahme besonders geprüft
 Ausschließlich Prüfmaße
 Mit /E gekennzeichnete Maße sind nur für interne Zwecke gültig



Buchseneinsatz
 sockert insert
 73.700.6458.0

Steckereinsatz
 plug insert
 73.710.6458.0

Weitere Daten siehe Katalog
further data see catalog

Freitoleranz nach DIN -		CAD - Zeichnung, keine manuellen Änderungen			1. Verwendung: -		Bl.: 1 von 1		
	Maßstab	Werkstoff und Oberfläche:		2005	Tag	Name		Zeichnung Nr.	Index
	2:1			Entworfen	25.02.	Schmitt J.			
				Geprüft	-	-		T	73.700.6458.0 01K
				Normgepr.	-	-			
Buchstabe Datum / Blatt		wieland Elektrische Verbindungen		Benennung		Ersatz für: -			
Änderung				KONTAKTEINSATZ Buchseneinsatz / Steckereinsatz sockert insert / plug insert					

Weitergabe sowie Vervielfältigung dieses Dokuments, Verwertung und Mitteilung
 seines Inhalts sind verboten, soweit nicht ausdrücklich gestattet.
 The reproduction, distribution and utilization of this document as well as the
 communication of its contents to others without express authorization is prohibited.

737006458001K_4_CADW028_Schmitt_2005-03-01T12:22:52_1.000