

Data sheet

Commercial Art.No.: 96.022.0053.1

Connector RST20I2F S23ZR1 V SW

RST20i3/2 connector, 2 pole, male, spring clamp connection, application 250V, 20A, for cable diameters 6-10mm, coding color black, color of housing black



Commercial Art.No.	96.022.0053.1
EAN	4015573890510
Order Unit	1

Certificates / Approvals



Technical data

General

Rated current	20 A
Rated voltage	250 V
Rated impulse voltage	4 kV
strain relief	yes
Pollution degree	3
Lockable	self-locking (unlocking by tool)
Color of coding/ contact carrier	black
Marking of poles	L, N
Color of housing inclusive strain relief	black

Connection Data

Cable diameter max.	10 mm
Cable diameter min.	6 mm
Connection cross section solid mm ² max.	2.5 mm ²
Connection cross section solid mm ² min.	0.5 mm ²
Connection cross section solid AWG min.	20 AWG
Connection cross section solid AWG max.	14 AWG
Connection cross section fine stranded mm ² max.	1.5 mm ²
Connection cross section fine stranded mm ² min.	0.5 mm ²
Terminations per pole	2
Connection cross section stranded mm ² min.	0.75 mm ²
Connection cross section stranded mm ² max.	1.5 mm ²
Connection cross section stranded AWG min.	20 AWG
Connection cross section stranded AWG max.	16 AWG
sheath strip length	35 mm

Wire strip length	14.5 mm
-------------------	---------

Model

Model	male
Connection type	spring clamp connection
Degree of protection (IP)	IP66/68 (3m;2h) /IP69

Material

Housing material	Polyamide
halogen free	yes
Contact material	CuZn
Fire load	0.268 kWh
Insulation components continuous temperature	100 °C
Surface finish	Silver-plated

Dimensions

Length	79.1 mm
Width	34.6 mm
Height	34.6 mm

Note

Note	Fine stranded and stranded conductors require cable end sleeve
------	--

Classification

ECLASS 11	
ECLASS 8.1	27440605
ETIM 7.0	EC002560
ETIM 6.0	EC002560
ETIM 5.0	EC002560
ETIM 4.0	EC002560

Product compliance

ROHS conformity status	Compliant/Exempted
ROHS exceptions	III-6(c)
REACH-SVHC conformity status	Duty-To-Declare
REACH-SVHC substances	Lead
REACH-SVHC CAS numbers	7439-92-1

Accessories

Commercial Art.No.:	Article-type description:	Description:
05.564.4453.1	Cover for male connector SW	RST20i3/2 cover piece, for covering unused male connectors, color black
99.416.6205.2	Cover for male connector SW	RST20i3/2 cover piece, for covering unused male connectors, with fastening belt, color black
06.502.4300.0	screwdriver DIN 5264 A 0,4 X 2,5	Screw driver according to DIN 5264 A, blade: 0.4x2.5 mm, long and straight version

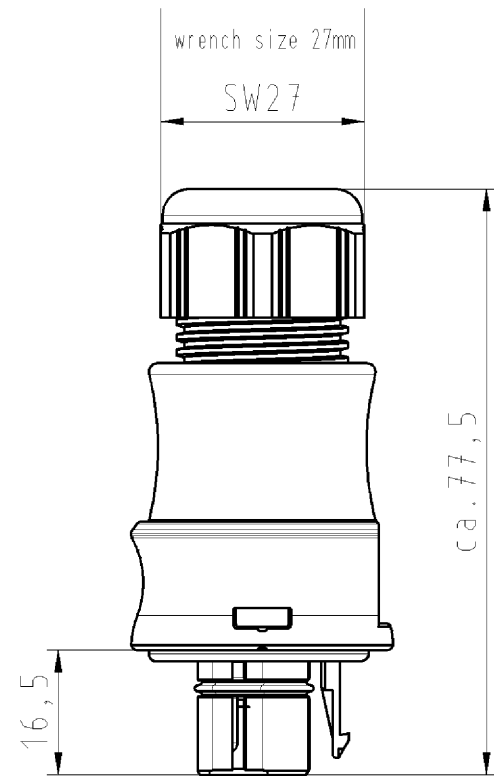
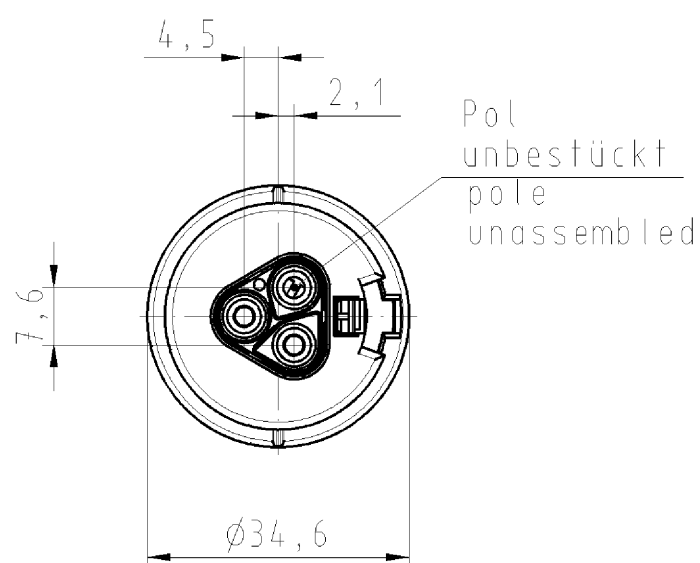
95.101.1300.0	ferrule crimping tool 0,08 - 10 mm ²	Crimping tool for ferrules, wire strip length: 7-28 mm, nominal cross section: 0,08-10 mm ² , length of tool: 180 mm
06.600.3627.0	ferrules DIN 46228-E1-12	RST end sleeve, for spring clamp contact, with insulating sleeve, for cross section 1.0 mm ² /AWG17
06.600.3727.0	ferrules DIN 46228-E0,75-12	RST end sleeve, for spring clamp contact, with insulating sleeve, for cross section 0.75-1.0 mm ² /AWG17
06.600.3827.0	ferrules DIN 46228-E0,5-10	RST end sleeve, for spring clamp contact, with insulating sleeve, for cross section 0.5 mm ² /AWG20
06.600.3927.0	ferrules DIN 46228-E1,5-12	RST end sleeve, for spring clamp contact, with insulating sleeve, for cross section 1.5 mm ² /AWG16

Fits with

Commercial Art.No.:	Article-type description:	Description:
96.020.0153.1	Distributor RST20I2V 3P1 F V SW	RST20i3/2 distribution block, 2 pole, application 250V, 20A, 1 input and 3 outputs, with fastening option, coding color black, color of housing black
96.021.0053.1	Connector RST20I2F B23ZR1 SW	RST20i3/2 connector, 2 pole, female, spring clamp connection, application 250V, 20A, for cable diameters 6-10mm, coding color black, color of housing black
96.023.0053.1	Connector RST20I2F B23YR1 SW	RST20i3/2 connector (90° angled), 2 pole, female, spring clamp connection, application 250V, 20A, for cable diameters 6-10mm, coding color black, color of housing black

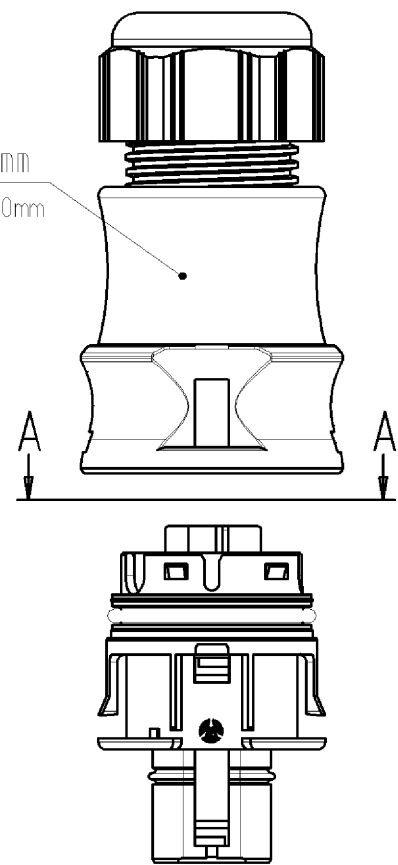
These dimensions will be especially checked at delivery
Only inspection dimensions
With /E marked dimensions are only valid for internal use

Diese Maße werden bei Abnahme besonders geprüft
Ausschließlich Prüfmaße
Mit /E gekennzeichnete Maße sind nur für interne Zwecke gültig

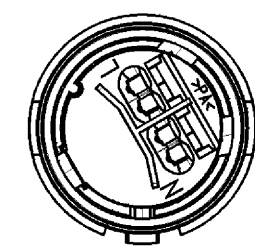


Auslieferungszustand delivery status

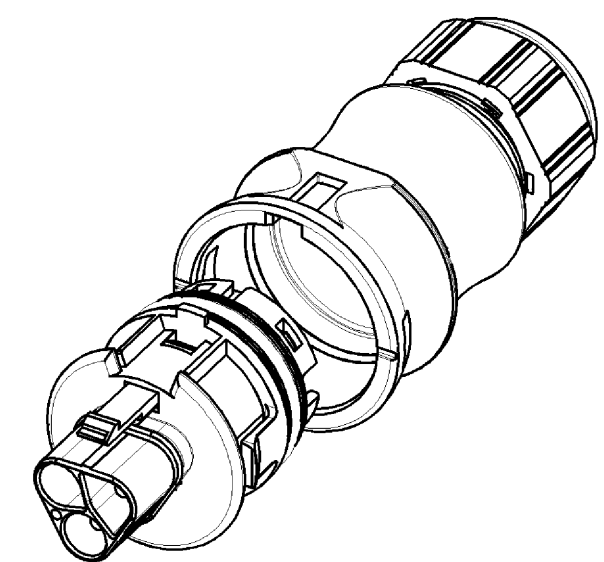
for cable diameter 6-10mm
für Kabeldurchmesser 6-10mm



A-A



Verpackungseinheit: je 100 Stück
packaging unit: per 100



Weitergabe sowie Vervielfältigung dieses Dokuments, Verwertung und Mitteilung seines Inhalts sind verboten, soweit nicht ausdrücklich gestattet. The reproduction, distribution and utilization of this document as well as the communication of its contents to others without express authorization is prohibited.

Teile-Nr./ part-nr.	Farbe:/ color:	Type
96.022.0053.1	schwarz, ähnl. RAL 9005/ black, similar to RAL 9005	RST2012F S23ZR1 V SW
96.022.0053.0	lichtgrau, ähnl. RAL 7035/ lightgrey, similar to RAL 7035	RST2012F S23ZR1 V GL

Tolerierung nach DIN 7167/Tolerance system acc. to DIN 7167. (This DIN-standard describes the envelope principle. According to the envelope principle the deviations of form and parallelism are limited by the size tolerances).		nein/no <input checked="" type="checkbox"/> Stoffverbots- und Deklarationsliste nach UU-TQM-05/03 ist einzuhalten. Conformity with Wieland document UU-TQM-05/03 (list of prohibited / declarable hazardous substances) to be declared!	
Freitoleranz nach General tolerance		CAD - Zeichnung, keine manuellen Änderungen CAD - drawing, no manual modifications allowed	1. Verwendung: - First Use:
Blatt: 1 von 1 Sheet: 1 of 1		Zeichnung Nr./Drawing No. 96.022.0053.0 01K	
Maßstab/Scale 1:1		2006 gezeichnet drawn 27.01. geprüft checked - Nicht gepr. Stand. check	Name Kneitz
Vol. mm ³ Öl./Surf. mm ²		Ersatz für/Replacement for: -	
Index Datum / Blatt Date / Sheet		Type Benennung/Title STECKERTEIL MIT ZUGENTLASTUNG male connector with cord grip Federkraftanschluss/spring-clamp connection	
Änderung/Revision		Elektrische Verbindungen	