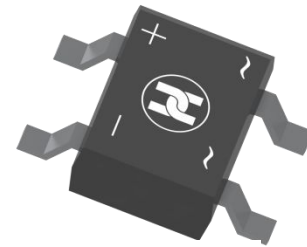
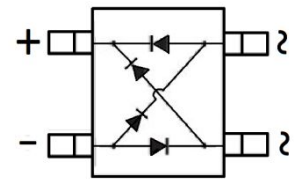


BRIDGE RECTIFIER
FEATURES

- Glass passivated die construction
- Low forward voltage drop
- High forward surge current capability

MECHANICAL DATA

- Case: DBS
- Case material: Molded plastic. UL flammability
- Classification rating: 94V-0
- Moisture sensitivity: Level 1 per J-STD-020
- Weight: 0.4 grams (approximate)


DBS

MAXIMUM RATINGS (T_A = 25°C unless otherwise noted)

CHARACTERISTICS	SYMBOL	DB151S	DB152S	DB153S	DB154S	DB155S	DB156S	DB157S	UNIT
Marking		DB151S	DB152S	DB153S	DB154S	DB155S	DB156S	DB157S	
Maximum Recurrent Peak Reverse Voltage	V _{RRM}	50	100	200	400	600	800	1000	V
Maximum RMS Voltage	V _{RMS}	35	70	140	280	420	560	700	V
Maximum DC Blocking Voltage	V _{DC}	50	100	200	400	600	800	1000	V
Maximum Average Forward Rectified Current @T _A =40°C	I _(AV)	1.5							A
Peak Forward Surge Current 8.3ms Single Half Sine-Wave Super Imposed on Rated Load (JEDEC Method)	I _{FSM}	50							A
Maximum Forward Voltage at 1.5A DC	V _F	1.1							V
Maximum DC Reverse Current @T _J =25°C at Rated DC Blocking Voltage @T _J =125°C	I _R	10 500							μA
I ² t Rating for Fusing (t<8.3ms)	I ² t	10.4							A ² s
Typical Junction Capacitance Per Element (Note1)	C _J	25							pF
Typical Thermal Resistance (Note2)	R _{θJA}	40							°C/W
Operating Temperature Range	T _J	-55 to +150							°C
Storage Temperature Range	T _{STG}	-55 to +150							°C

BRIDGE RECTIFIER

FIG.1-FORWARD CURRENT DERATING CURVE

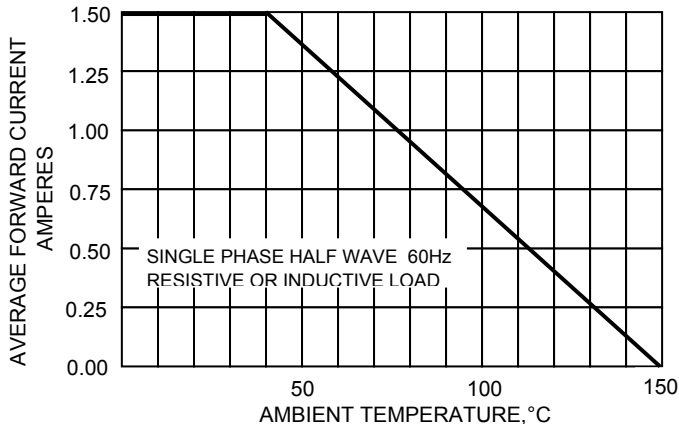


FIG.2-MXIMUM NON-REPETITIVE SURGE CURRENT

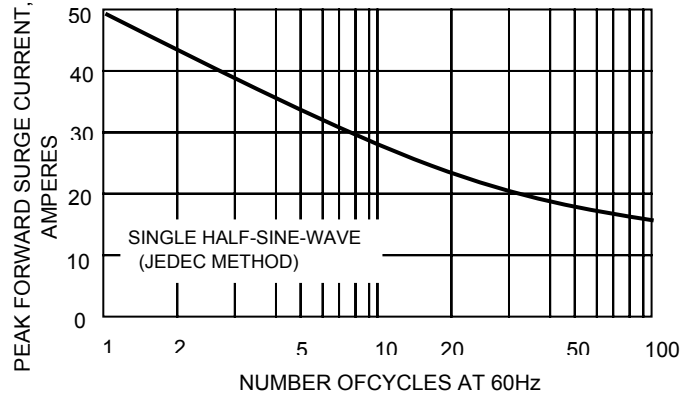


FIG.3-TYPICAL JUNCTION CAPACITANCE

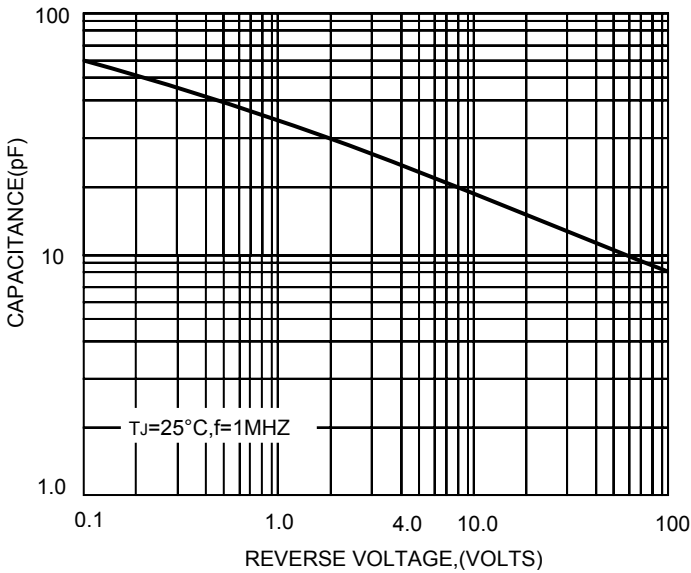


FIG.4-TYPICAL FORWARD CHARACTERISTICS

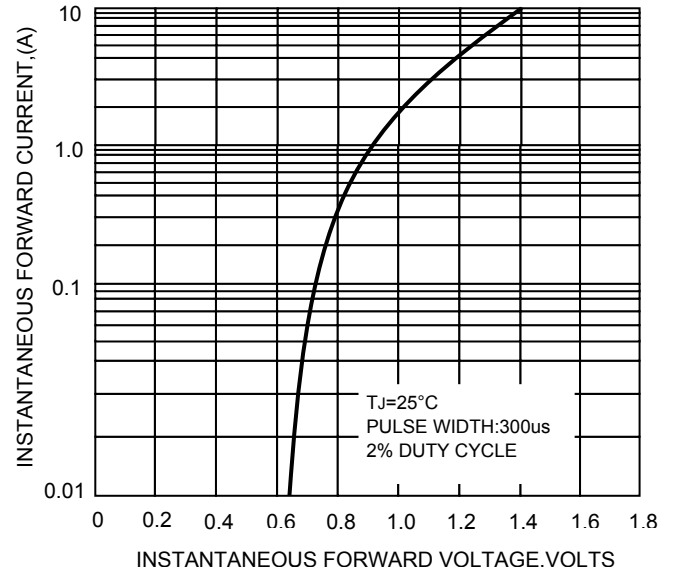
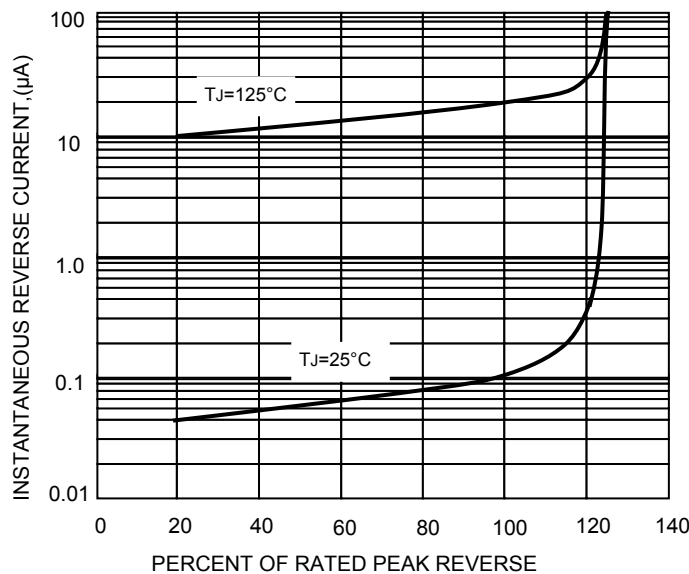
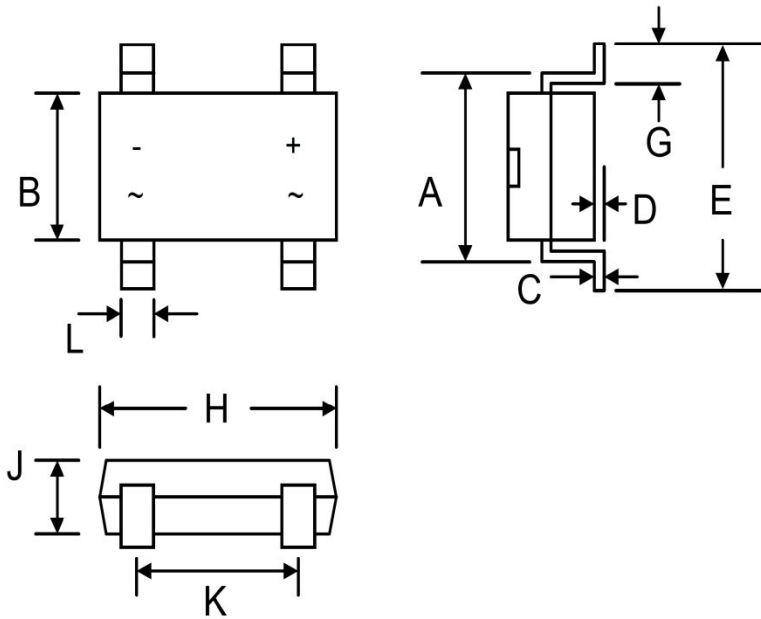
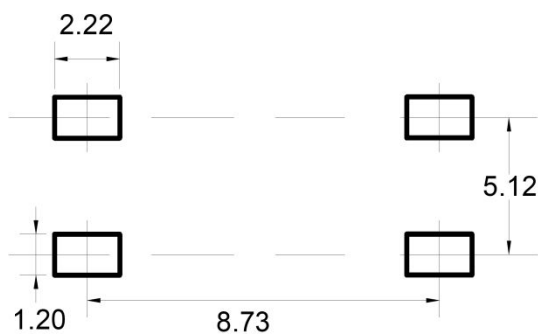


FIG.5-TYPICAL REVERSE CHARACTERISTICS

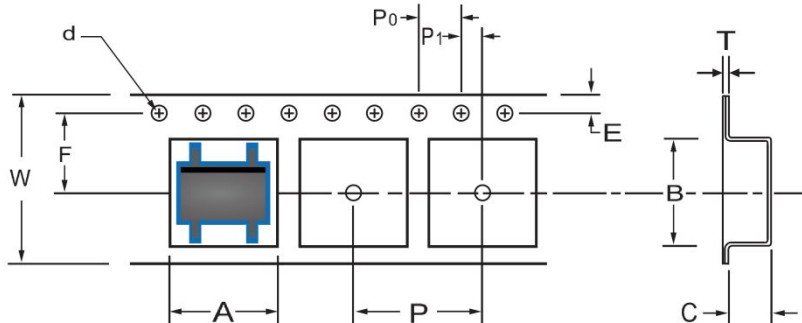


BRIDGE RECTIFIER
DBS Package Outline Dimensions


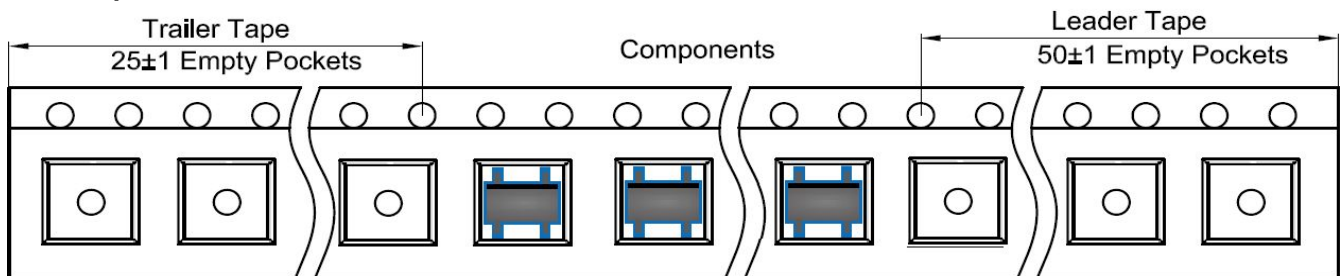
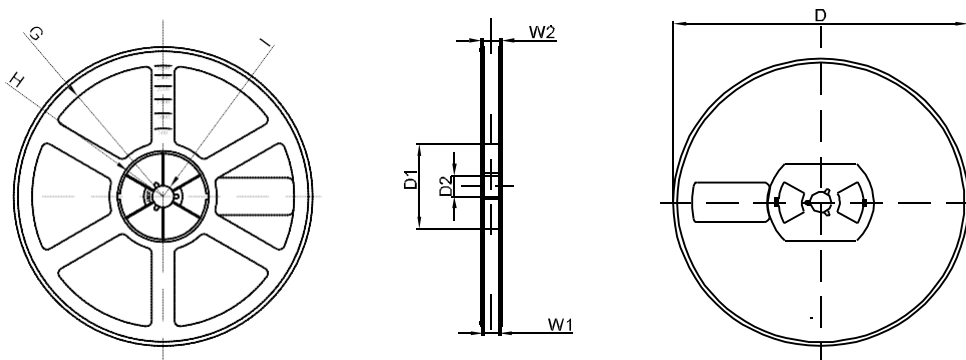
Symbol	Dimensions In Millimeters		Dimensions In Inches	
	Min.	Max.	Min.	Max.
A	7.40	8.50	0.291	0.335
B	6.20	6.50	0.245	0.255
C	0.22	0.33	0.009	0.013
D	0.08	0.33	0.003	0.013
E	9.40	10.40	0.370	0.409
G	1.02	1.53	0.040	0.060
H	8.00	8.74	0.315	0.344
J	2.32	3.40	0.091	0.134
K	5.00	5.20	0.197	0.205
L	0.95	1.20	0.037	0.047

DBS Suggested Pad Layout

Note:

1. Controlling dimension: in millimeters
2. General tolerance: $\pm 0.05\text{mm}$
3. The pad layout is for reference purposes only

BRIDGE RECTIFIER
DBS Tape and Reel
DBS Embossed Carrier Tape


DIMENSIONS ARE IN MILLIMETER										
TYPE	A	B	C	d	E	F	P0	P	P1	W
DBS	8.64	10.41	3.50	Ø1.50	1.75	7.50	4.00	12.00	2.00	16.00
TOLERANCE	±0.1	±0.1	±0.1	±0.1	±0.1	±0.1	±0.1	±0.1	±0.1	±0.1

DBS Tape Leader and Trailer

DBS Reel


DIMENSIONS ARE IN MILLIMETER								
REEL OPTION	D	D1	D2	G	H	I	W1	W2
13" DIA	Ø330	100	21	R165	R50	R6.50	16.4	21.00
TOLERANCE	±2	±1	±1	±1	±1	±1	±1	±1