

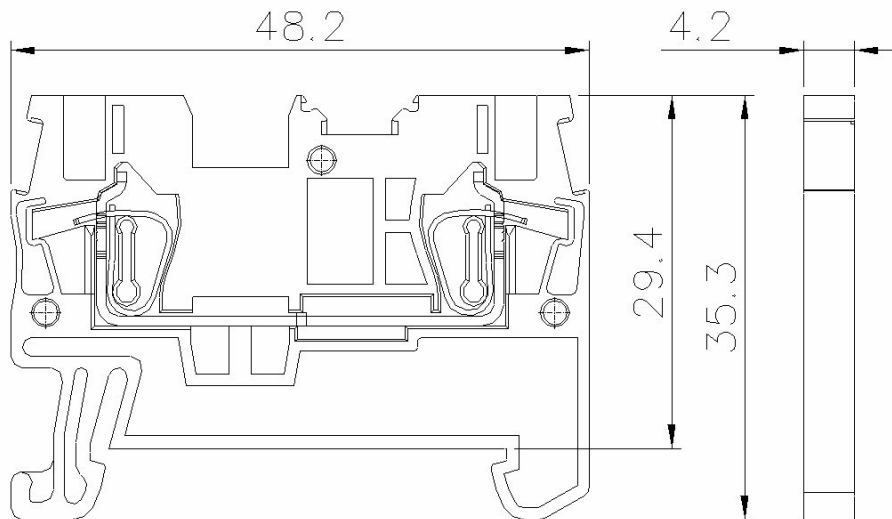
Category: 回拉式弹簧接线/Plug-in terminal-plug

Product name: TC1.5-2-GY

Product Description: 标称工作电压 500V , 额定电流 17.5 A 接线位数 2 , 回拉式弹簧连接



## Product Picture



## 基本信息 /Basic Information

|                               |                                 |
|-------------------------------|---------------------------------|
| 产品型号<br>SUPU ID               | TC1.5-2-GY                      |
| 宽度<br>Width                   | 4.2mm                           |
| 产品层数<br>Number of levels      | 1                               |
| 接线位数<br>Number of connections | 2                               |
| 接线方式<br>Connection method     | 回拉式弹簧接线/ Spring cage connection |

---

|                          |      |
|--------------------------|------|
| 防护等级<br>Protection Level | IP20 |
|--------------------------|------|

---

|                          |            |
|--------------------------|------------|
| 工作温度<br>Work temperature | -40~+105°C |
|--------------------------|------------|

---

## IEC数据 /IEC Data

---

|                       |       |
|-----------------------|-------|
| 额定电流<br>Rated Current | 17.5A |
|-----------------------|-------|

---

|                       |      |
|-----------------------|------|
| 额定电压<br>Rated Voltage | 500V |
|-----------------------|------|

---

|                              |     |
|------------------------------|-----|
| 过压类别<br>Overvoltage category | III |
|------------------------------|-----|

---

|                          |   |
|--------------------------|---|
| 污染等级<br>Pollution degree | 3 |
|--------------------------|---|

---

|                                 |       |
|---------------------------------|-------|
| 额定冲击电压<br>Rated impulse voltage | 6.0KV |
|---------------------------------|-------|

---

|  |                                |
|--|--------------------------------|
| 刚性导线截面积<br>Conductor cross section solid | 0.2-1.5mm <sup>2</sup> (26-16) |
|--|--------------------------------|

---

|   |                                |
|---|--------------------------------|
| 柔性导线截面积<br>Conductor cross section flexible | 0.2-1.5mm <sup>2</sup> (26-16) |
|---|--------------------------------|

---

|  |                                |
|--|--------------------------------|
| 柔性导线截面积，带绝缘管套<br>Conductor cross section flexible,with furrule | 0.2-1.5mm <sup>2</sup> (26-16) |
|--|--------------------------------|

---

|                          |        |
|--------------------------|--------|
| 剥线长度<br>Stripping length | 9-10mm |
|--------------------------|--------|

---

## UL数据 /UL Data

---

|                   |   |   |   |
|-------------------|---|---|---|
| 使用组别<br>Use group | B | C | D |
|-------------------|---|---|---|

---

|                       |     |     |   |
|-----------------------|-----|-----|---|
| 额定电流<br>Rated Current | 15A | 15A | - |
|-----------------------|-----|-----|---|

---

|                       |      |      |   |
|-----------------------|------|------|---|
| 额定电压<br>Rated Voltage | 300V | 300V | - |
|-----------------------|------|------|---|

---

|                               |          |  |  |
|-------------------------------|----------|--|--|
| 额定接线容量<br>Rated cross section | 26-16AWG |  |  |
|-------------------------------|----------|--|--|

---

## 材料信息 /Material Data

---

|                             |      |
|-----------------------------|------|
| 绝缘材料<br>Insulation material | PA66 |
|-----------------------------|------|

---

|                                     |   |
|-------------------------------------|---|
| 绝缘材料组别<br>Insulation material group | I |
|-------------------------------------|---|

---

---

阻燃等级,符合UL94  
Flame retardant grade, UL94 V0  
compliance

---

导电体材料  
Contact material 铜合金/Copper alloy

---

导电体表面镀层  
Surface characteristics 镀锡/Sn Plated

---

## 产品认证 /Product Certification

---

认证图标  
Certificate



---

UL证书号  
UL file No.

---

VDE证书号  
VDE No.

---

TUV证书号  
TUV No.

---

Ningbo Supu Electronics Co.,Ltd

Zip code: 315303

Fax: +86 574-63288170

E-mail : askme@supu.cn

Address: No. 625, Kandun Town Street, Cixi  
City, Zhejiang Province

Switchboard: +86 574-63288158

E-mail : askme@supu.cn

Service Hotline: 400-626-6336



Code

---

File date : 2024-09-13 14:02

Product Entry : 2024-02-26

The right to modify data belongs to  
Supu.