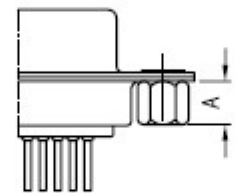
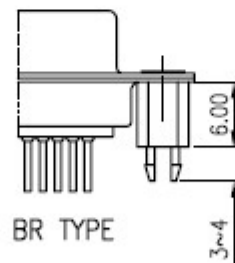


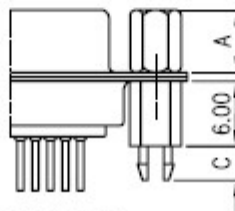
CC TYPE



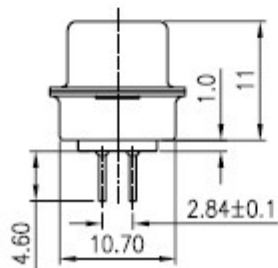
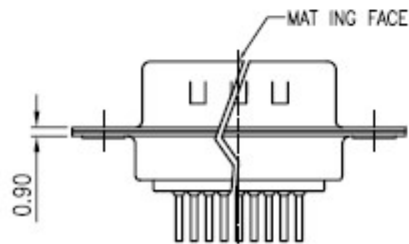
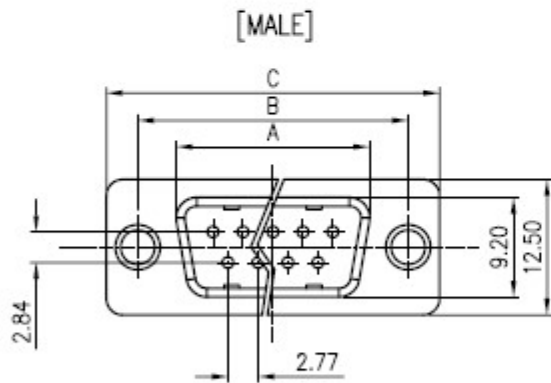
CS TYPE



BR TYPE



BRJ TYPE



SERIES	DPS-15F / DBB-15F	DPS-37F / DBB-37F
	DPS-15M / DBB-15M	DPS-37M / DBB-37M
	DPS-25F / DBB-25F	DPS-9F / DBB-9F
	DPS-25M / DBB-25M	DPS-9M / DBB-9M

Dimension

Position	A±0.2	B±0.2	C±0.3	D
9	17.90	24.99	30.80	16.33
15	26.50	33.32	39.14	24.66
25	40.00	47.04	53.04	38.38
37	56.50	63.50	69.32	54.84

NOTES:

1. ELECTRICAL CHARACTERISTICS:
 - 1.1 CONTACT RESISTANCE: 20mΩ Max. INITIAL.
 - 1.2 DIELECTRIC WITHSTANDING VOLTAGE: 500V AC(rms) FOR 1 MINUTE.
 - 1.3 INSULATION RESISTANCE: 1000MΩ Min.
2. ENVIRONMENT CHARACTERISTICS:
 - 2.1 OPERATING TEMPERATURE: 0°C~+85°C.
 - 2.2 STORAGE TEMPERATURE: -20°C~+70°C.