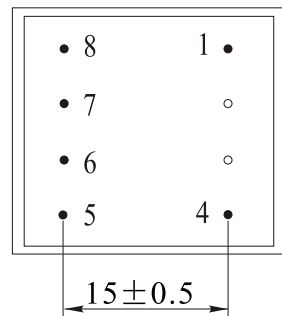
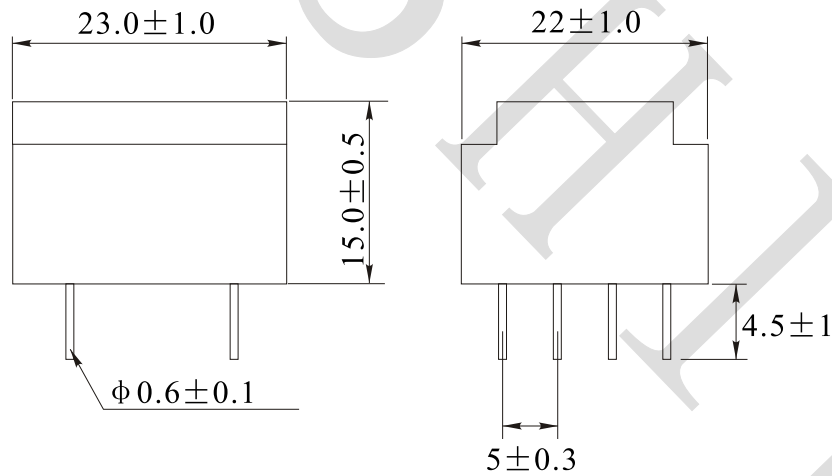


Rev.	Description	Date
A0	New release	2023.02.20

### 1. PHYSICAL CHARACTERISTICS (mm)



Bottom view

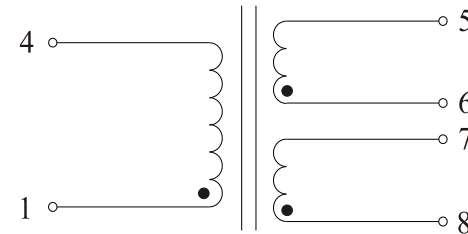
#### Top marking

1 ■	SHINHOM	■ 8
	AC230V 50/60Hz	■
	PE200608	■
	ta: 70°C 0.35VA	■
4 ■	2*9V, 19mA	■ 5

#### NOTES:

Temp 20°C 48%RH  
RoHS Compliant

### 2. ELECTRONICAL SCHEMATIC



### 3. ELECTRONICAL SPECIFICATIONS

Pri voltage: 230V, 50Hz-60Hz

Sec load voltage: 2X9.0V ± 0.5V @ 19mA

Noload voltage: 2X15.6V Ref

Output Power: 0.35VA

Hi-Pot: 3500V, 50Hz, 1mA, 10S Pri to Sec

#### Note:

- Solderability: leads shall meet MIL-STD-202, Method 208D for solderability.
- Flammability: UL94V-0
- ASTM oxygen index: >28%

NAME:	Power Transformer		
CUSTOMER P/N:	BV 202 0144	DATE:	2023-02-20
SHINHOM P/N:	PE200608	REV: A0	PAGE
DRAWN BY	CHECKED BY	APPROVE BY	



**SHINHOM**

SHAANXISHINHOM ENTERPRISE CO LTD

The Document property belong to SHINHOM & is not allowed to be duplicated without authorization