

D

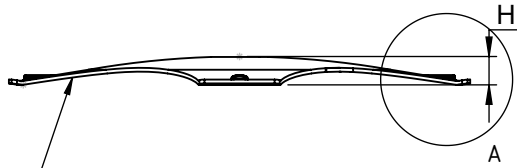
C

B

A

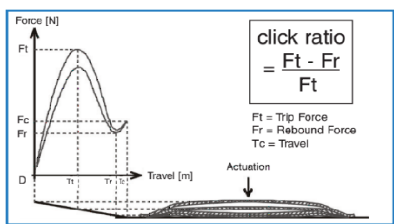
4

4



Optional -31 gold side plated

Mechanical characteristics



Typical force versus travel curve for a metal dome

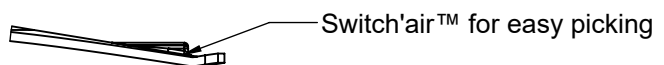
Technical features

- Storage temperature: -55°C to 125°C
- Operating temperature: -40°C to 105°C
- Switching capacity: 1 Watt
- Actuation life: Up to 5 million*
- Material: AISI301 - EN 1.4310 - EN X10CrNi18.8

*depending on conditions of use and application type

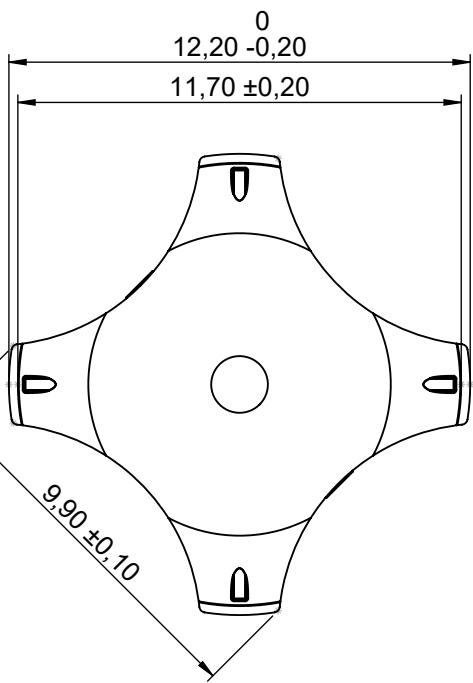
3

3



DÉTAIL A
ECHELLE 12 : 1

Dome reference XXX	Trip Force ±30 (g)			
	220	280	340	420
Height H ±0.10 (mm)	0,65	0,75		
Click ratio (%)	40 - 70		50 - 80	



N12.2-4L(-D)-XXX-YY

	With	Without
	-D	/
Dimple		

YY	Plating	Thickness
21	Nickel	0.1µ to 0.4µ
31	Gold	0.1µ to 0.4µ (1 face) over 0.1µ to 0.4µ nickel

2

2



This document is the property of Nicomatic. It may not be reproduced without the prior written permission of the owner. Law of 11 March 1902.

u	04/02/22	C.L.	C.M.	C.Ga.
Ind	Date	Drawn	Checked	Approved
Item :	Switch'Air™ Dome Ø12.2mm 4legs XXXg nickel or gold plated			

Catalogue Reference : N12.2-4L(-D)-XXX-YY

Compliant matrix :
Customer reference :

	General tolerance ±0.2	Scale 5:1	Page 1/1
--	------------------------	-----------	----------

D

A4

1