

THIS DRAWING IS UNPUBLISHED.

RELEASED FOR PUBLICATION

2007

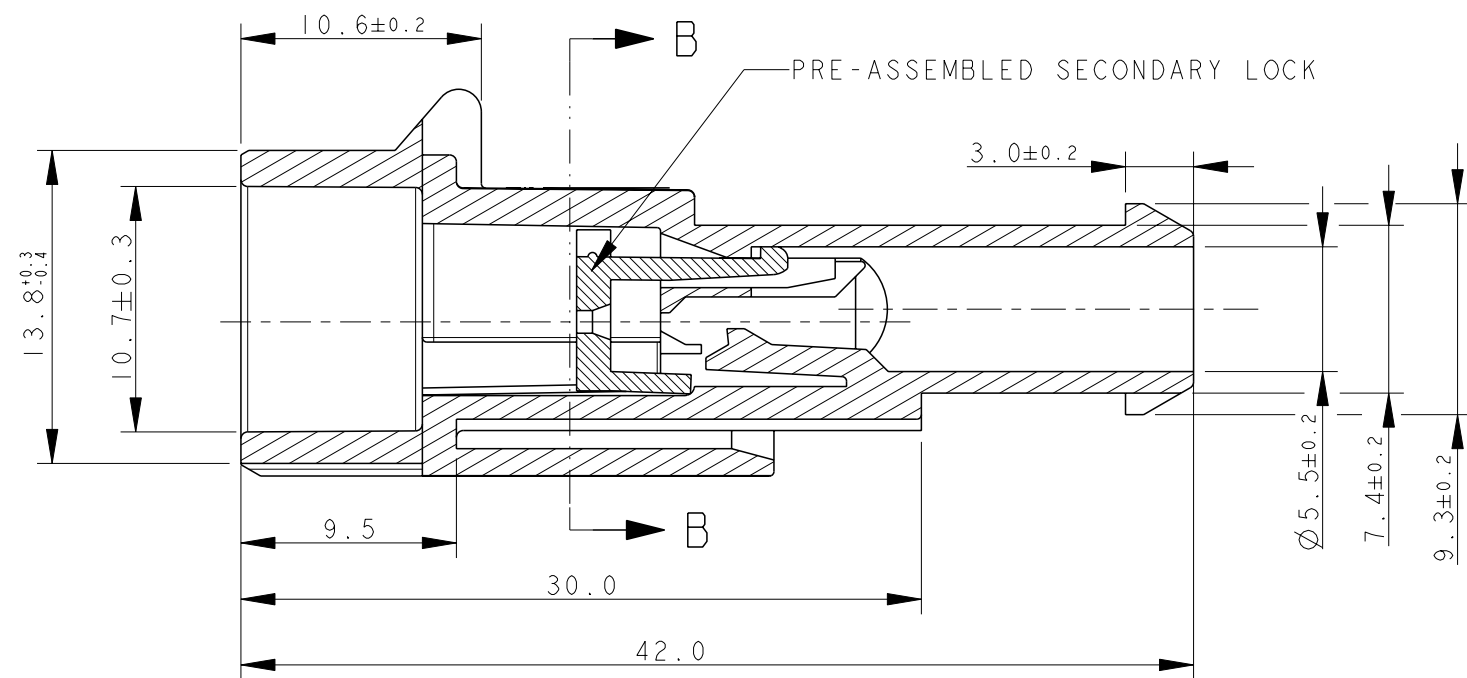
© COPYRIGHT 2007 BY -

ALL RIGHTS RESERVED.

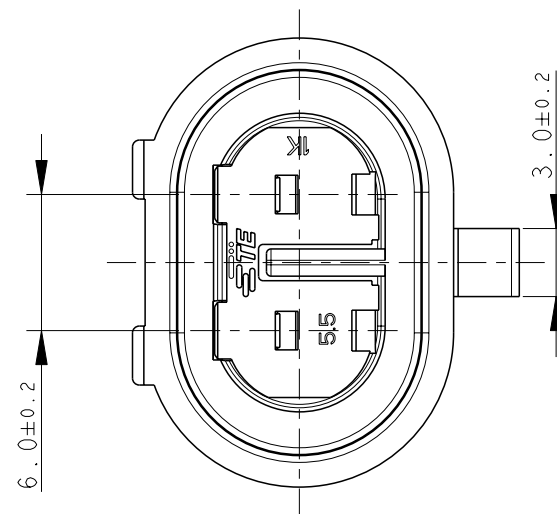
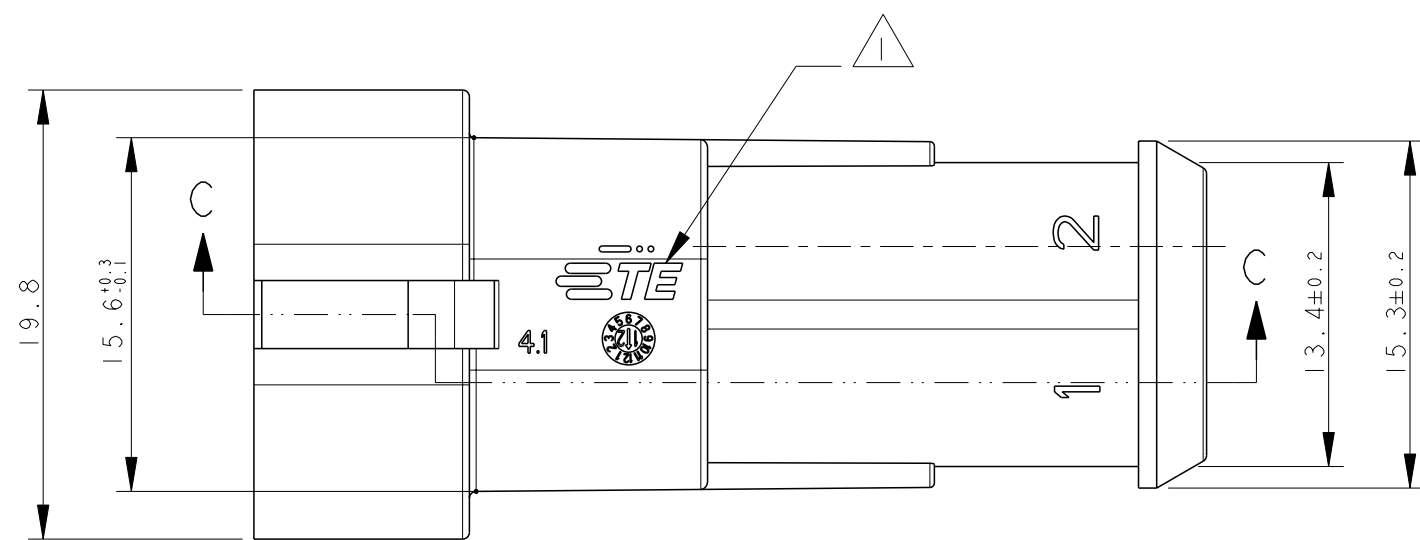
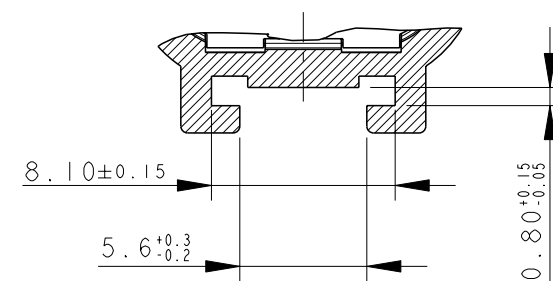
REVISIONS

P	LTR	DESCRIPTION	DATE	DWN	APVD
	B1	REVISED PER ECO-17-009774	06SEP2017	M.G.	M.G.

SECTION C-C



PART SECTION B-B



HSG: WHITE SEC. LOCK: WHITE	PA66-GF UL94-V2 ACC. TO IEC 60335-1	A	1745099-1
HSG: GREEN SEC. LOCK: RED	PA66-GF	B	282104-3
HSG: GRAY SEC. LOCK: RED	PA66-GF	B	282104-2
HSG: BLACK SEC. LOCK: RED	PA66-GF	B	282104-1
FINISH/COLOR	MATERIAL	REV	P/N


 TE CONNECTIVITY TRADE MARK,
 (IN ALTERNATIVE: "AMP" LOGO, OR "

 Tyco Electronics" LOGO)

THIS DRAWING IS A CONTROLLED DOCUMENT.

DWN C. BERTINI 02-1990

CHK A. BRUNI 02-1990

APVD -

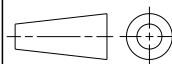
PRODUCT SPEC 108-20090

APPLICATION SPEC 412-20000

WEIGHT 3.72g

Customer Drawing

DIMENSIONS: mm




SEE TABLE

TOLERANCES UNLESS OTHERWISE SPECIFIED:

0 PLC ±-
 1 PLC ± 0.3
 2 PLC ±-
 3 PLC ±-
 4 PLC ±-
 ANGLES ± 2°

SEE TABLE


 TE Connectivity
 NAME AMP SUPERSEAL 1.5 SRS.
 2 POSITIONS TAB ASS'Y

SIZE A300779 CAGE CODE 282104 DRAWING NO. RESTRICTED TO -

SCALE 3:1 SHEET 1 OF 1 REV B1