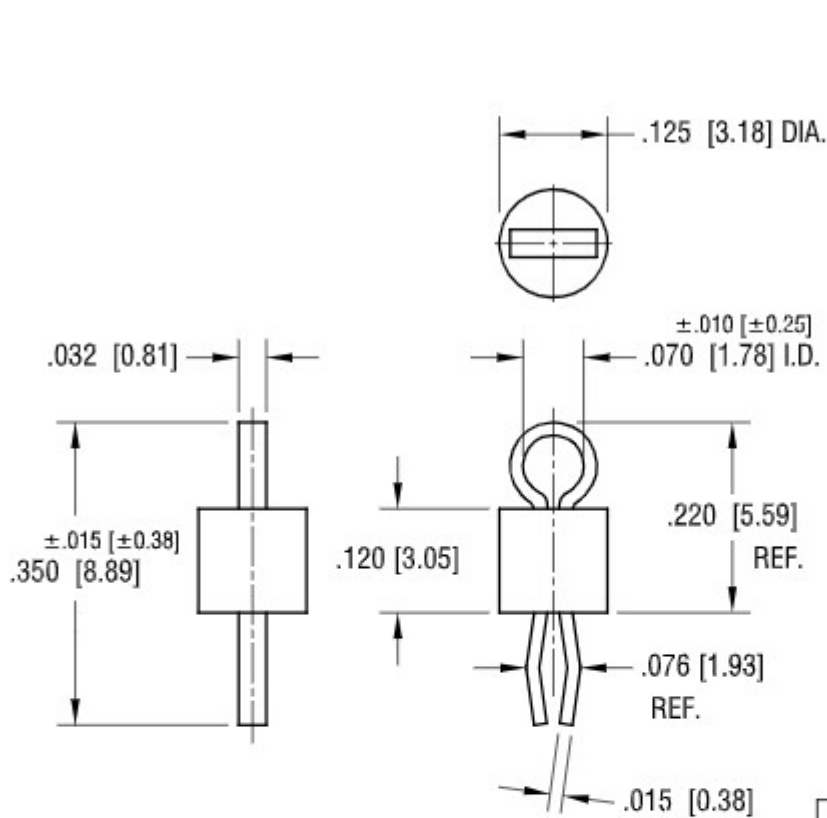


THIS DOCUMENT IS THE PROPERTY OF KEYSTONE ELECTRONICS CORP. AND SHALL NOT BE REPRODUCED, DISTRIBUTED OR USED AS A BASIS FOR MANUFACTURE WITHOUT PRIOR WRITTEN PERMISSION FROM KEYSTONE ELECTRONICS CORP.



NOTES:

1. TERMINAL:
MAT'L - PHOSPHOR BRONZE WIRE
2. BASE:
MAT'S - HEAT RESISTANT NYLON 46

PART NO.	BASE COLOR
5005	RED
5006	BLACK
5007	WHITE
5008	ORANGE
5009	YELLOW

KEYSTONE ELECTRONICS CORP.

www.keystone.com • ASTORIA, N.Y. 11105-2017 • Tel (718) 956-8900

PART NAME			PC TEST POINT - COMPACT		
MATERIAL			AS NOTED		
FINISH		DRN BY	DATE		
SILVER PLATE		NT	12.09.08		
		APPD	SCALE		
		LN	5X		
TOLERANCES	INCH	[MM]	CODE	DWG NO.	
DECIMAL	± .005	[± 0.15]	C	5005-5009	
ANGULAR	± 1°		UNLESS OTHERWISE SPECIFIED		

12.04.08	CHANGE AS PER ECN 08-190	E
DATE	DESCRIPTION	REV.