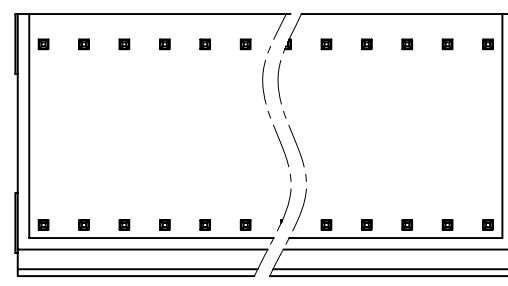
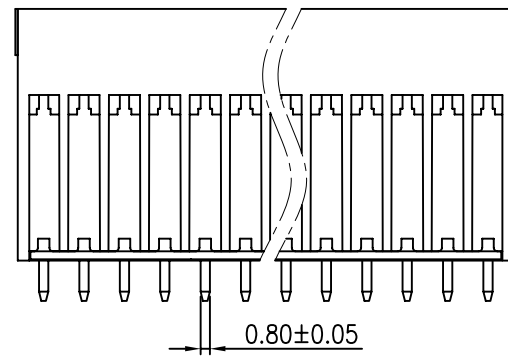
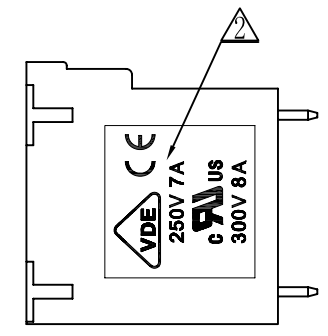
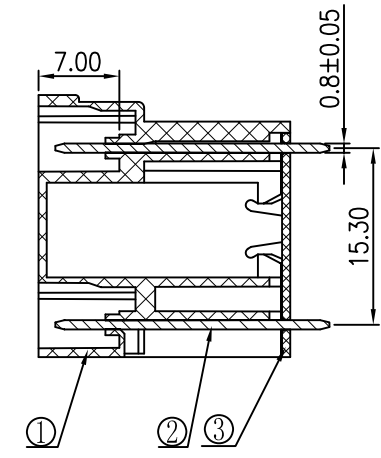
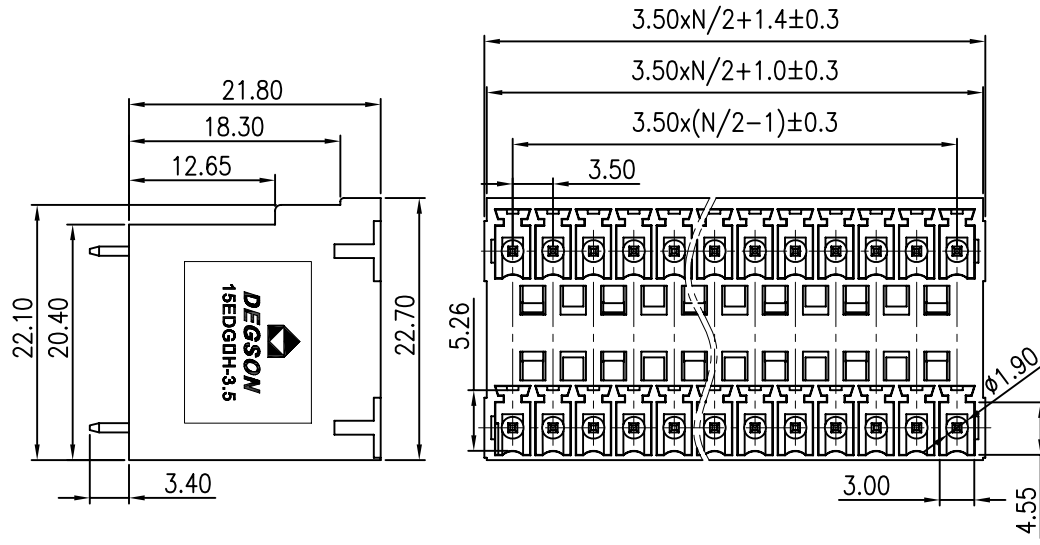


REVISION RECORD					
REV	ECO	DESCRIPTION	DRFT	DATE	
△		增加UL, CE刻字	Zengy	09/05/08*	
△		增加VDE及参数刻字	LJH	02/10/09*	



- Notes:
1. Pitch: 3.5mm , Poles: 4-48P
 2. Rated voltage/current: UL 300V/8A
VDE 250V/7A
 3. Operation temperatures: -40°C ~ +105°C
 4. Withstanding Voltage: AC2000V/1Min
 5. Insulation Resistance: 5000MΩ / DC1000V
 6. Undimensioned Tolerances:

Pitch range in mm		Nominal dimension range in mm						
to 6	over 6 to 10	over 10 to 24	to 30	over 30 to 60	over 60 to 100	over 100 to 150	over 150	
±0.10	±0.15	±0.25	±0.2	±0.3	±0.5	±0.7	±1.0	
							0.05/10	

3	15EDGV/RH-3.5-Cover	1063COYXXA (H)	1	PA66	UL94V-0
2	15EDGVH-Pin	1063B00030 (H)	XX	Brass	SnCe

1	15EDGV/RH-3.5-Housing	1063AOYXXA (H)	1	PA66	UL94V-0																																								
ITEM	NAME OF PART	NO. OF PART	Q'TY	MATERIAL	NOTES																																								
<table border="1"> <tr> <td>MM (INCH)</td> <td>DFTO</td> <td>ExpsAny</td> <td>DATE</td> <td>09/30/05*</td> </tr> <tr> <td>TOLERANCES EXCEPT AS NOTED</td> <td>CHKD</td> <td></td> <td>DATE</td> <td></td> </tr> <tr> <td></td> <td>MFO</td> <td></td> <td>DATE</td> <td></td> </tr> <tr> <td>MM</td> <td></td> <td>APPLY</td> <td>DATE</td> <td></td> </tr> <tr> <td>.0 ±</td> <td></td> <td></td> <td></td> <td></td> </tr> <tr> <td>.00 ±</td> <td></td> <td></td> <td></td> <td></td> </tr> <tr> <td>.000 ±</td> <td></td> <td></td> <td></td> <td></td> </tr> <tr> <td>ANGLES ± 1°</td> <td colspan="4">G. E :</td> </tr> </table>		MM (INCH)	DFTO	ExpsAny	DATE	09/30/05*	TOLERANCES EXCEPT AS NOTED	CHKD		DATE			MFO		DATE		MM		APPLY	DATE		.0 ±					.00 ±					.000 ±					ANGLES ± 1°	G. E :				宁波高正电子有限公司 DEGSON ELECTRONICS CO., LTD NAME 15EDGVH-3.5-XXP-1Y-00A (H)			
MM (INCH)	DFTO	ExpsAny	DATE	09/30/05*																																									
TOLERANCES EXCEPT AS NOTED	CHKD		DATE																																										
	MFO		DATE																																										
MM		APPLY	DATE																																										
.0 ±																																													
.00 ±																																													
.000 ±																																													
ANGLES ± 1°	G. E :																																												
<table border="1"> <tr> <td>THIRD ANGLE PROJECTION</td> <td>FINISH :</td> <td>DRAWING NO.</td> <td>15EDGVH-3.5-E01</td> <td>SIZE</td> <td>A3</td> <td>REV</td> <td>T2</td> </tr> <tr> <td></td> <td>SCALE : 1:1</td> <td>/PART NO.</td> <td></td> <td></td> <td></td> <td>02/10/09*</td> <td></td> </tr> </table>		THIRD ANGLE PROJECTION	FINISH :	DRAWING NO.	15EDGVH-3.5-E01	SIZE	A3	REV	T2		SCALE : 1:1	/PART NO.				02/10/09*		DO NOT SCALE DRAWING																											
THIRD ANGLE PROJECTION	FINISH :	DRAWING NO.	15EDGVH-3.5-E01	SIZE	A3	REV	T2																																						
	SCALE : 1:1	/PART NO.				02/10/09*																																							
				SHEET 1	OF 1																																								