

Data sheet

Commercial Art.No.: 92.034.0058.1

Device connector GST18i3L S1H SW

GST18i3 PCB mount with additional mounting option, 3 pole, male (horizontal), coding mains 250 V, 20 A, coding color black



Commercial Art.No.	92.034.0058.1
EAN	4015573454002
Order Unit	1

Certificates / Approvals



Technical data

General

Rated current	20 A
Rated voltage	250 V
Pollution degree	2
Mechanical coding	Code 1
Rated impulse voltage	4 kV
Lockable	self-locking (unlocking by tool)
Color of coding/ contact carrier	black
Marking of poles	L, N, PE

Connection Data

Terminations per pole	1
-----------------------	---

Model

Model	male
Connection type	Soldering connection
Angle of plug	Square
Inclination	90 °
Degree of protection (IP)	IP20
built-in component	Soldering connection

Material

Housing material	Polyamide
halogen free	yes
Contact material	CuZn

Fire load	0.026 kWh
Insulation components continuous temperature	100 °C
Surface finish	Tin-plated

Dimensions

Length	24 mm
Width	28.2 mm
Height	13 mm

Classification

ECLASS 11	
ECLASS 8.1	27440602
ETIM 7.0	EC002566
ETIM 6.0	EC002566
ETIM 5.0	EC002566
ETIM 4.0	EC002566

Product compliance

ROHS conformity status	Compliant/Exempted
ROHS exceptions	III-6(c)
REACH-SVHC conformity status	Duty-To-Declare
REACH-SVHC substances	Lead
REACH-SVHC CAS numbers	7439-92-1

Accessories

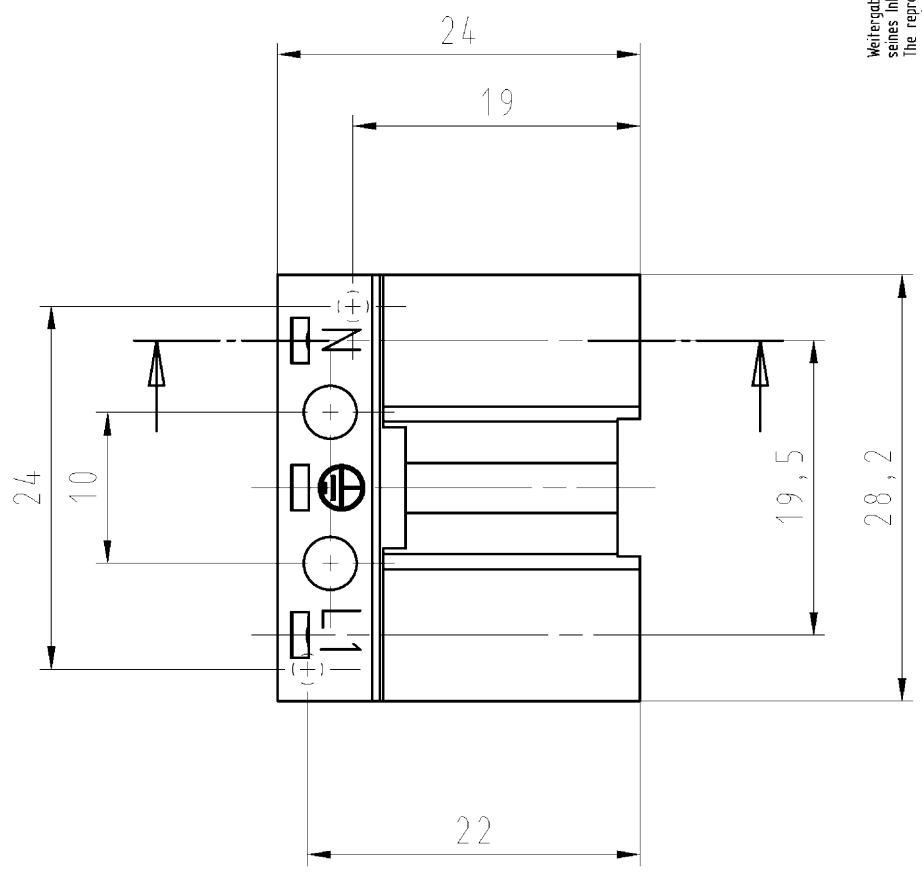
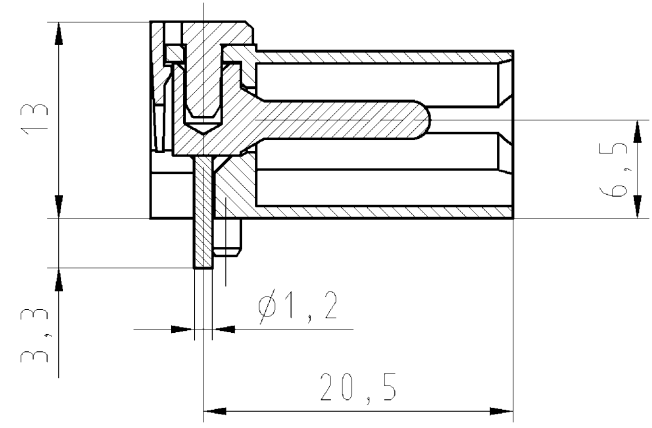
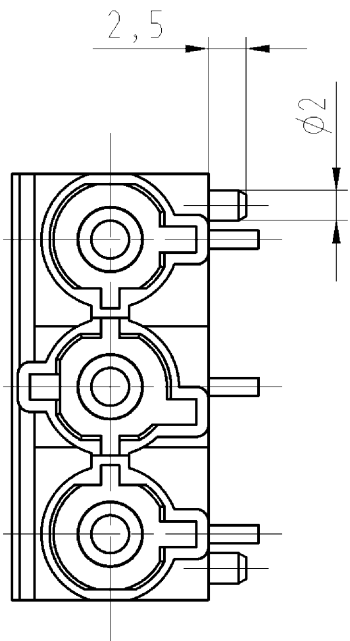
Commercial Art.No.:	Article-type description:	Description:
05.590.4556.0	Lock GST18 WS	Locking device for solder connections GST18i3-5, white
05.590.4556.1	Lock GST18 SW	Locking device for solder connections GST18i3-5, black
05.561.3653.0	cover cap GST18i3VS B WS	Cover piece for female GST18i3, white
05.561.3653.1	cover cap GST18i3VS B SW	Cover piece for female GST18i3, black
05.564.5353.0	cover cap GST18i3/4/5 SW	Cover piece 12 pole black for female parts GST18i3-6
05.564.5353.2	cover cap GST18i3/4/5 WS	Cover piece 12 pole white for female parts GST18i3-6
05.594.4250.0	cover cap ST18/3B + GST18i3 ST WS	
05.594.4253.0	cover cap ST18/3B + GST18i3 ST WS	

Fits with

Commercial Art.No.:	Article-type description:	Description:
92.733.0053.1	Connector GST18i3F B2 ZR1 MSW	GST18i3 connector, 3 pole, female with spring force connection assembled, coding mains 250 V, 20 A, coding color black, strain relief color black
92.933.0053.1	Connector GST18i3F B2 ZR1 SW	GST18i3 connector, 3 pole, female with spring force connection, coding mains 250 V, 20 A, coding color black, strain relief color black

These dimensions will be especially checked at delivery
 Only inspection dimensions
 With /E marked dimensions are only valid for internal use

Diese Maße werden bei Abnahme besonders geprüft
 Ausschließlich Prüfmaße
 Mit /E gekennzeichnete Maße sind nur für interne Zwecke gültig



Weitergabe sowie Vervielfältigung dieses Dokuments, Verwertung und Mitteilung seines Inhalts sind verboten, soweit nicht ausdrücklich gestattet. Die Reproduktion, Distribution und Utilization of this document as well as the communication of its contents to others without express authorization is prohibited.

Weitere Daten siehe Katalog
 further data see catalog

Teilenummer part number	Farbe colour	Typ type
92.034.0058.0	weiss/white	GST1813L S1H WS
92.034.0058.1	schwarz/black	GST1813L S1H SW

Tolerierung nach DIN 7167/Tolerance system acc. to DIN 7167. (This DIN-standard describes the envelope principle. According to the envelope principle the deviations of form and parallelism are limited by the size tolerances). ja/yes Stoffverbots- und Deklarationsliste nach UU-TQM-05/03 ist einzuhalten. Conformity with Wieland document UU-TQM-05/03 (list of prohibited / declarable hazardous substances) to be declared!

Freitoleranz nach General tolerance CAD - Zeichnung, keine manuellen Änderungen CAD - drawing, no manual modifications allowed I.Verwendung: - First Use: Blatt: 1 von 1 Sheet: 1 of 1

Werkstoff/Material	2005 Tag/Date	Name	Zeichnung Nr./Drawing No.	Index
	gezeichnet/drawn 16.11.	Schmitt J.		
	geprüft/checked	-		
Maßstab/Scale	Normgepr. Stand./check	-	Maße in mm/Dimensions are in mm	
Vol.	Ersatz für/Replacement for: -			

		Type	Benennung/Tittle	MALE CONNECTOR STECKERTEIL	
a 27.06.2013/ Datum / Blatt Date / Sheet	Änderung/Revision	Lötanschluss, rechth./soldered connect. horizontal 250V AC 20A			

920340058001K_2 CADW3030 Lunz 2013-06-28T12:10:30 1.000