

Data sheet

Commercial Art.No.: 97.052.4053.1

Connector RST50I5S S1 ZR5 S SW

RST50i5 connector, 5 pole, male, screw connection, application 250/400V with PE, 50A, for cable diameters 15-25mm, coding color black, color of housing black



Commercial Art.No.	97.052.4053.1
EAN	4049088070556
Order Unit	1

Certificates / Approvals



Technical data

General

Rated current	50 A
Rated voltage	250 V / 400 V
Rated impulse voltage	4 kV
strain relief	yes
Pollution degree	3
Lockable	yes
Color of coding/ contact carrier	black
Marking of poles	1, 2, 3, N, PE
Color of housing inclusive strain relief	black

Connection Data

Cable diameter max.	25 mm
Cable diameter min.	15 mm
Connection cross section solid mm ² max.	6 mm ²
Connection cross section solid mm ² min.	4 mm ²
Connection cross section solid AWG min.	6
Connection cross section fine stranded mm ² max.	16 mm ²
Connection cross section fine stranded mm ² min.	4 mm ²
Connection cross section fine stranded AWG min.	16
Terminations per pole	1
Connection cross section stranded mm ² min.	4 mm ²
Connection cross section stranded mm ² max.	6 mm ²
sheath strip length	80 mm
Wire strip length	10 mm

Model

Model	male
-------	------

Connection type	screw connection
Degree of protection (IP)	IP66/67/69

Material

Housing material	Polyamide
halogen free	yes
Contact material	CuZn
Fire load	0.379 kWh
Insulation components continuous temperature	80 °C
Surface finish	Silver-plated

Dimensions

Length	140 mm
Width	65 mm
Height	65 mm

Classification

ECLASS 11	
ECLASS 8.1	27440605
ETIM 7.0	EC002560
ETIM 6.0	EC002560
ETIM 5.0	EC002560
ETIM 4.0	EC002560

Note

Note	fine-stranded and stranded wires have to be used without ferrules
------	---

Product compliance

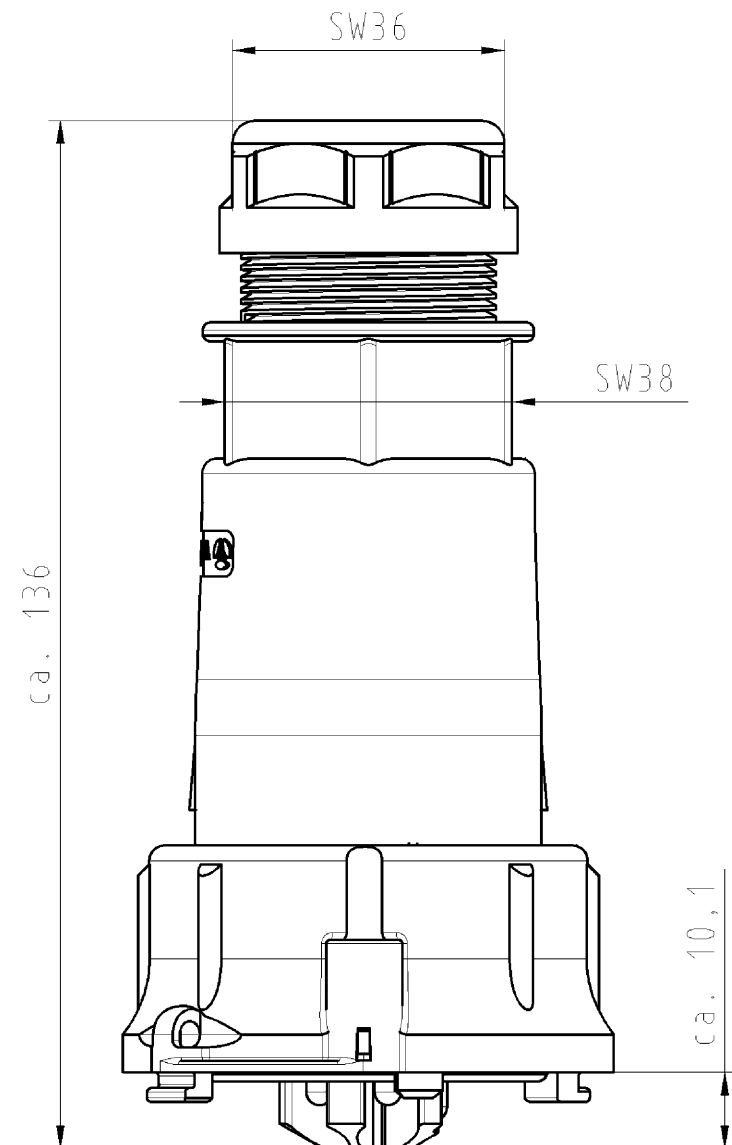
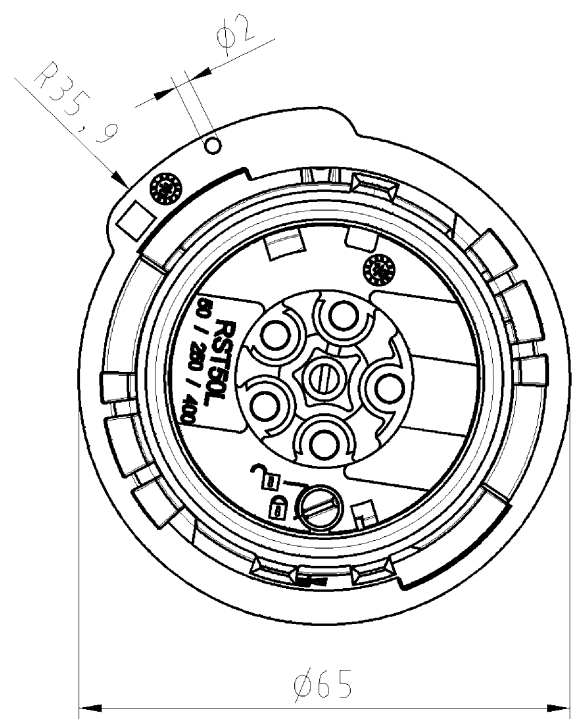
ROHS conformity status	Compliant/Exempted
ROHS exceptions	III-6(c)
REACH-SVHC conformity status	Duty-To-Declare
REACH-SVHC substances	Lead
REACH-SVHC CAS numbers	7439-92-1

Fits with

Commercial Art.No.:	Article-type description:	Description:
97.051.4053.1	Connector RST50I5S B1 ZR5 S SW	RST50i5 connector, 5 pole, female, screw connection, application 250/400V with PE, 50A, for cable diameters 15-25mm, coding color black, color of housing black
97.051.5553.1	Device connector RST50I5S B1 ZM02V SW	RST50i5 device connector, 5 pole, female, screw connection, application 250V/400V, 50A, for opening diameter M32 or M40 with adaptor ring, with position fixation, coding color black

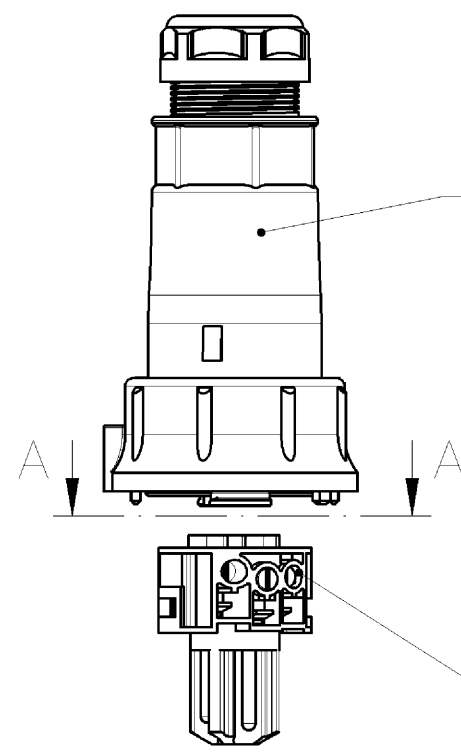
These dimensions will be especially checked at delivery
 Only inspection dimensions
 With /E marked dimensions are only valid for internal use

Diese Maße werden bei Abnahme besonders geprüft
 Ausschließlich Prüfmaße
 Mit /E gekennzeichnete Maße sind nur für interne Zwecke gültig



Auslieferungszustand delivery status

(1:2)



für Kabeldurchm. 15-25mm
 for cable diameter 15-25mm

Farbe: schwarz,
 ähnl. RAL9005
 color: black,
 similar to RAL9005

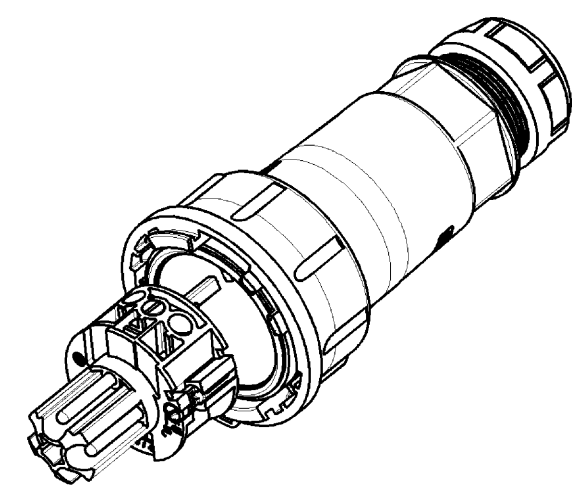
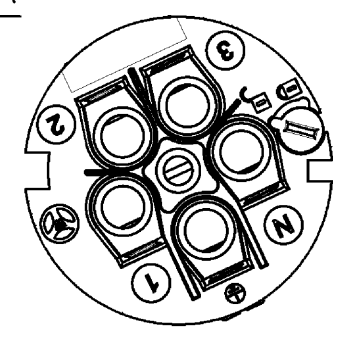
Farbe: schwarz,
 ähnl. RAL9005
 color: black,
 similar to RAL9005

Verpackungseinheit: je 20 Stück
 packaging unit: per 20

Anschlussart: Schraub
 Anschlussquerschnitt: ein-/ mehrdrähtig: 4-6 mm² / feindrähtig: 4*-16 mm²
 connection type: screw
 cross section: solid/ stranded: 4-6 mm² / flexible: 4*-16 mm²

* Leiter 4 mm² flexibel nur in Verbindung mit Aderendhülsen.
 Conductor flexible 4 mm² only by using of end sleeves.

A-A



Weitergabe sowie Vervielfältigung dieses Dokuments, Verwertung und Mitteilung seines Inhalts sind verboten, soweit nicht ausdrücklich gestattet.
 The reproduction, distribution and utilization of this document as well as the communication of its contents to others without express authorization is prohibited.

Type: RST50i5S S1 ZR5 S SW

50 A/250 V/400 V/4 kV/2 IP66/67

Tolerierung nach DIN 7167/Tolerance system acc. to DIN 7167. (This DIN-standard describes the envelope principle. According to the envelope principle the deviations of form and parallelism are limited by the size tolerances).				ja/yes <input checked="" type="checkbox"/> Stoffverbots- und Deklarationsliste nach UU-TQM-05/03 ist einzuhalten. Conformity with Wieland document UU-TQM-05/03 (list of prohibited / declarable hazardous substances) to be declared!			
Freitoleranz nach General tolerance		CAD - Zeichnung, keine manuellen Änderungen CAD - drawing, no manual modifications allowed		1. Verwendung: First Use: -		Blatt: 1 von 1 Sheet: of 1	
/		Werkstoff/Material		2011 Tag/Date Name		Zeichnung Nr./Drawing No. Index	
/				gezeichnet drawn 27.04. Brotkorb		97.052.4053.1 01K	
/		Maßstab/Scale		geprüft checked - -		Maße in mm/Dimensions are in mm	
/		1:1		Normgepr. Stand. check - -			
/		Vol. mm ³ Ofl./Surf. mm ²		Ersatz für/Replacement for: -			
/		wieland		Type		Benennung/Tittle	
/						ERSTANSCHLUSS_ST_KOMPLETT	
Index Datum / Blatt Date / Sheet		Änderung/Revision		Elektrische Verbindungen			

970524053101K_2 CADW2028.holet:2012-05-24T12:53:37 1.000 QU-PEM-08/91