

Data sheet

Commercial Art.No.: 96.032.0053.9

Connector RST20i3F S2 ZR1SV BL0

RST20i3 connector, 3 pole, male, spring clamp connection, application 250/400V, 20A, for cable diameters 6-10mm, coding color light blue, color of housing black



Commercial Art.No.	96.032.0053.9
EAN	4015573981775
Order Unit	1

Certificates / Approvals



Technical data

General

Rated current	20 A
Rated voltage	250 V / 400 V
Rated impulse voltage	4 kV
strain relief	yes
Pollution degree	3
Lockable	self-locking (unlocking by tool)
Color of coding/ contact carrier	light blue
Marking of poles	1, 2, 3
Color of housing inclusive strain relief	black

Connection Data

Cable diameter max.	10 mm
Cable diameter min.	6 mm
Connection cross section solid mm ² max.	2.5 mm ²
Connection cross section solid mm ² min.	0.5 mm ²
Connection cross section solid AWG min.	20 AWG
Connection cross section solid AWG max.	14 AWG
Connection cross section fine stranded mm ² max.	1.5 mm ²
Connection cross section fine stranded mm ² min.	0.5 mm ²
Terminations per pole	2
Connection cross section stranded mm ² min.	0.75 mm ²
Connection cross section stranded mm ² max.	1.5 mm ²
Connection cross section stranded AWG min.	20 AWG
Connection cross section stranded AWG max.	16 AWG
sheath strip length	35 mm

Wire strip length	14.5 mm
-------------------	---------

Model

Model	male
Connection type	spring clamp connection
Degree of protection (IP)	IP66/68 (3m;2h) /IP69

Material

Housing material	Polyamide
halogen free	yes
Contact material	CuZn
Fire load	0.27 kWh
Insulation components continuous temperature	100 °C
Surface finish	Silver-plated

Dimensions

Length	79.1 mm
Width	34.6 mm
Height	34.6 mm

Note

Note	Fine stranded and stranded conductors require cable end sleeve
------	--

Classification

ECLASS 11	
ECLASS 8.1	27440605
ETIM 7.0	EC002560
ETIM 6.0	EC002560
ETIM 5.0	EC002560
ETIM 4.0	EC002560

Product compliance

ROHS conformity status	Compliant/Exempted
ROHS exceptions	III-6(c)
REACH-SVHC conformity status	Duty-To-Declare
REACH-SVHC substances	Lead
REACH-SVHC CAS numbers	7439-92-1

Accessories

Commercial Art.No.:	Article-type description:	Description:
06.502.4300.0	screwdriver DIN 5264 A 0,4 X 2,5	Screw driver according to DIN 5264 A, blade: 0.4x2.5 mm, long and straight version
95.101.1300.0	ferrule crimping tool 0,08 - 10 mm ²	Crimping tool for ferrules, wire strip length: 7-28 mm, nominal cross section: 0,08-10 mm ² , length of tool: 180 mm
06.600.3627.0	ferrules DIN 46228-E1-12	RST end sleeve, for spring clamp contact, with insulating sleeve, for cross section 1.0 mm ² /AWG17

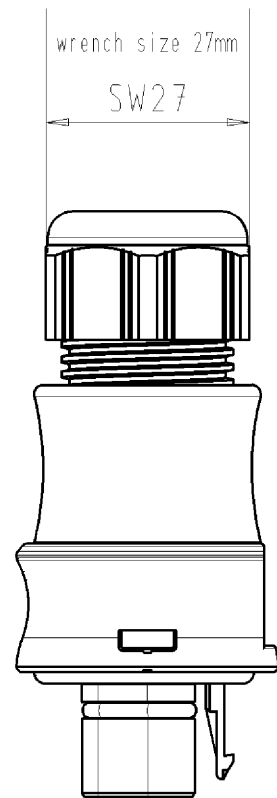
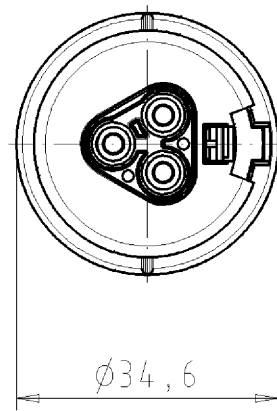
06.600.3727.0	ferrules DIN 46228-E0,75-12	RST end sleeve, for spring clamp contact, with insulating sleeve, for cross section 0.75-1.0 mm ² /AWG17
06.600.3827.0	ferrules DIN 46228-E0,5-10	RST end sleeve, for spring clamp contact, with insulating sleeve, for cross section 0.5 mm ² /AWG20
06.600.3927.0	ferrules DIN 46228-E1,5-12	RST end sleeve, for spring clamp contact, with insulating sleeve, for cross section 1.5 mm ² /AWG16
05.564.4453.1	Cover for male connector SW	RST20i3/2 cover piece, for covering unused male connectors, color black
99.416.6205.2	Cover for male connector SW	RST20i3/2 cover piece, for covering unused male connectors, with fastening belt, color black

Fits with

Commercial Art.No.:	Article-type description:	Description:
96.031.0053.9	Connector RST20i3F B2 ZR1S BL0	RST20i3 connector, 3 pole, female, spring clamp connection, application 250/400V, 20A, for cable diameters 6-10mm, coding color light blue, color of housing black
96.031.1053.9	Device connector RST20i3F B2 M01 BL0	RST20i3 device connector M25, 3 pole, female, spring clamp connection, application 250/400V, 20A, coding color light blue
96.031.2153.9	Device connector RST20i3F B2 M03 BL0	RST20i3 device connector M16, 3 pole, female, spring clamp connection, modular, application 250/400V, 20A, coding color light blue, color of housing black
96.031.2053.9	Device connector RST20i3F B2 M00 BL0	RST20i3 device connector M20, 3 pole, female, spring clamp connection, modular, application 250/400V, 20A, coding color light blue, color of housing black
96.033.2053.9	Device connector RST20i3F B2 M90 BL0	RST20i3 device connector (90° angled) M20, 3 pole, female, spring clamp connection, modular, application 250/400V, 20A, coding color light blue, color of housing black
96.033.0053.9	Connector RST20i3F B2 YR1S BL07	RST20i3 connector (90° angled), 3 pole, female, spring clamp connection, application 250/400V, 20A, for cable diameters 6-10mm, coding color light blue, color of housing black
96.030.0153.9	Distributor RST20i3V 3P1 F V BL	RST20i3 distribution block, 3 pole, application 250/400V, 20A, 1 input and 3 outputs, with fastening option, coding color light blue, color of housing light blue

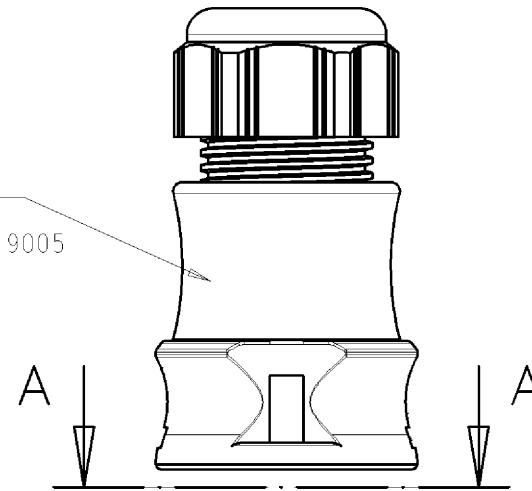
These dimensions will be especially checked at delivery
 Only inspection dimensions
 With ±E marked dimensions are only valid for internal use

Diese Maße werden bei Abnahme besonders geprüft
 Ausschließlich Prüfmaße
 Mit ±E gekennzeichnete Maße sind nur für interne Zwecke gültig

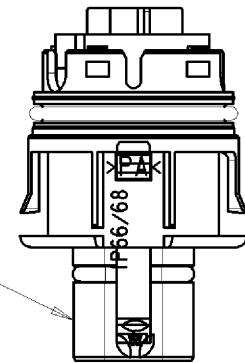


Auslieferungszustand delivery status

Farbe: schwarz,
 ähnl. RAL 9005
 color: black,
 similar to RAL 9005

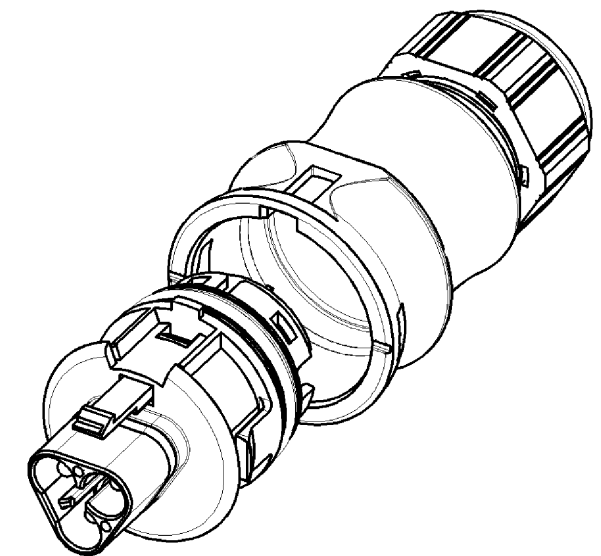
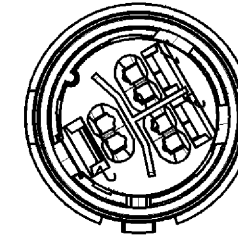


Farbe: lichtblau,
 ähnl. RAL 5012
 color: lightblue,
 similar to RAL 5012



Verpackungseinheit: je 100 Stück
 packaging unit: per 100

A-A



Type/type: RST2013F S2 ZR1SV BL04

Tolerierung nach DIN 7167/Tolerance system acc. to DIN 7167. (This DIN-standard describes the envelope principle. According to the envelope principle the deviations of form and parallelism are limited by the size tolerances).				ja/yes <input checked="" type="checkbox"/> Stoffverbots- und Deklarationsliste nach UU-TQM-05/03 ist einzuhalten. Conformity with Wieland document UU-TQM-05/03 (list of prohibited / declarable hazardous substances) to be declared!			
Freitoleranz nach General tolerance		CAD - Zeichnung, keine manuellen Änderungen CAD - drawing, no manual modifications allowed		1. Verwendung: - First Use:		Blatt: 1 von 1 Sheet: of 1	
		Werkstoff/Material		2007	Tag/Date	Name	
				gezeichnet drawn	28.08.	Morgen	
		Maßstab/Scale		geprüft checked	-	-	
		1:1		Normgepr. Stand. check	-	-	
		Vol. mm ³ Ofl./Surf. mm ²		Ersatz für/Replacement for: -			
		wieland		Type		Benennung/Title	
Index		Datum / Blatt Date / Sheet		wieland		STECKERTEIL MIT ZUGENTLASTUNG	
Änderung/Revision		Elektrische Verbindungen				male connector with cord grip Federkraftanschluß/spring-clamp connection Kodierung/keying 7 (20A/250V)	

Weitergabe sowie Vervielfältigung dieses Dokuments, Verwertung und Mitteilung seines Inhalts sind verboten, soweit nicht ausdrücklich gestattet.
 The reproduction, distribution and utilization of this document as well as the communication of its contents to others without express authorization is prohibited.

960320053901K_4_CADW1019_Morgen 2007-08-28T15:05:40 1.000