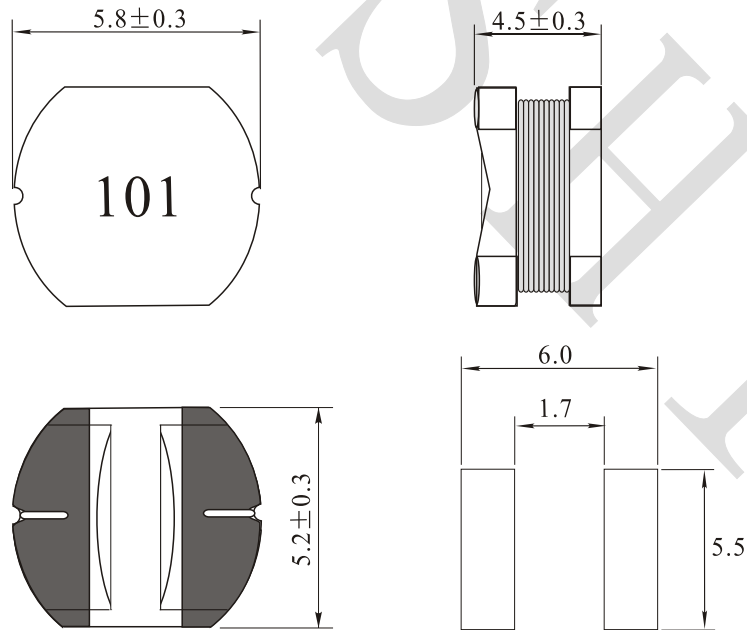
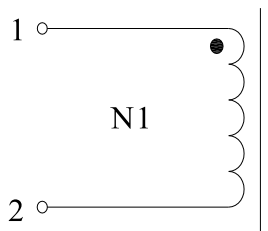


Rev.	Description	Date
A0	New release	2022.12.05

1. PHYSICAL CHARACTERISTICS (mm)



2. ELECTRONICAL SCHEMATIC



3. ELECTRONICAL SPECIFICATIONS

L: 100uH ± 10% @ 100KHz, 0.1V

DCR: 700mΩ Max

Q: 20Ref@0.796MHz

Isat: 0.68A Max (Inductance drop 10% Max)

Irms: 0.52A Max (Temp. rise 40°C Max)

SRF: 9MHz Min

Operating temperature: -40°C to +125°C
(Including temp. rise 40°C)

Storage temperature: -40°C to +85°C

Test Instrument:

L: HP4284A

RDC: HM2540

Note:

1. Solderability: leads shall meet MIL-STD-202, Method 208D for solderability.
2. Flammability: UL94V-0
3. ASTM oxygen index: >28%

NAME:	Power Inductors		
CUSTOMER P/N:	SDR0604-101KL	DATE:	2022-12-05
SHINHOM P/N:	SDR0504-101M-0.68A	REV: A0	PAGE
DRAWN BY	CHECKED BY	APPROVE BY	



SHINHOM
SHAANXISHINHOM ENTERPRISE CO LTD

The Document property belong to SHINHOM & is not allowed to be duplicated without authorization