

DETAILS

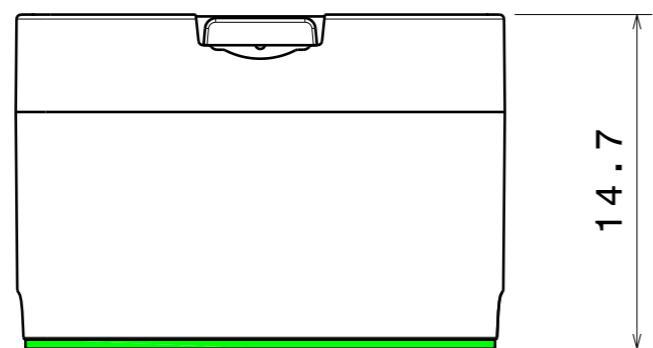
| | |
|------------------------|------------------|
| Product Number | FA10832_LXP-W |
| Family | Leila |
| Type | Assembly |
| Color | black |
| Diameter | 21,6 mm |
| Height | 14,7 mm |
| Style | round |
| Optic Material | PMMA |
| Holder Material | |
| Fastening | tape |
| Status | production ready |
| ROHS Compliant | Yes |
| Date Updated | 10/04/2014 |



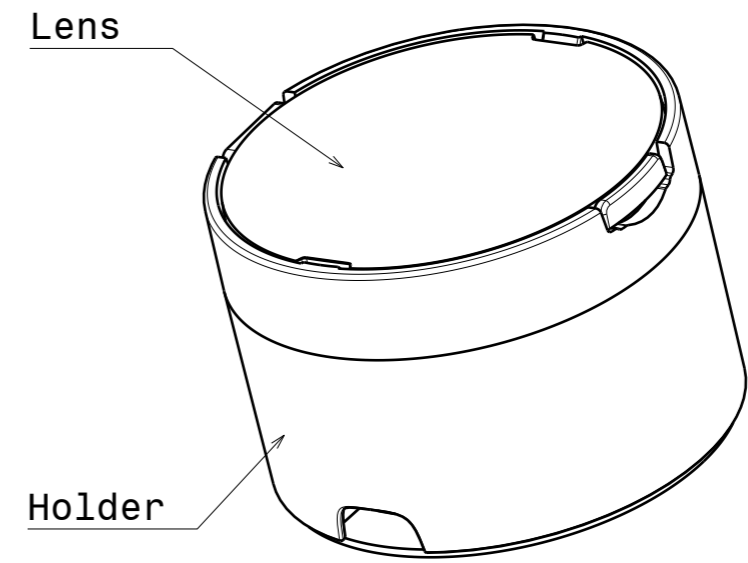
OPTICAL PROPERTIES

| LED | Viewing Angle | Light Beam | Efficiency | cd/lm | Connector |
|----------|---------------|------------|------------|-------|-----------|
| XP-G | 46 deg | Wide | 84 % | - | - |
| XP-E-HEW | 44 deg | Wide | - | - | - |
| XP-E | 44 deg | Wide | 91 % | 1.800 | - |
| XT-E | 45 deg | Wide | - | - | - |
| XP-L HI | 45 deg | Wide | 85 % | 1.500 | - |
| Z5 | 44 deg | Wide | - | - | - |

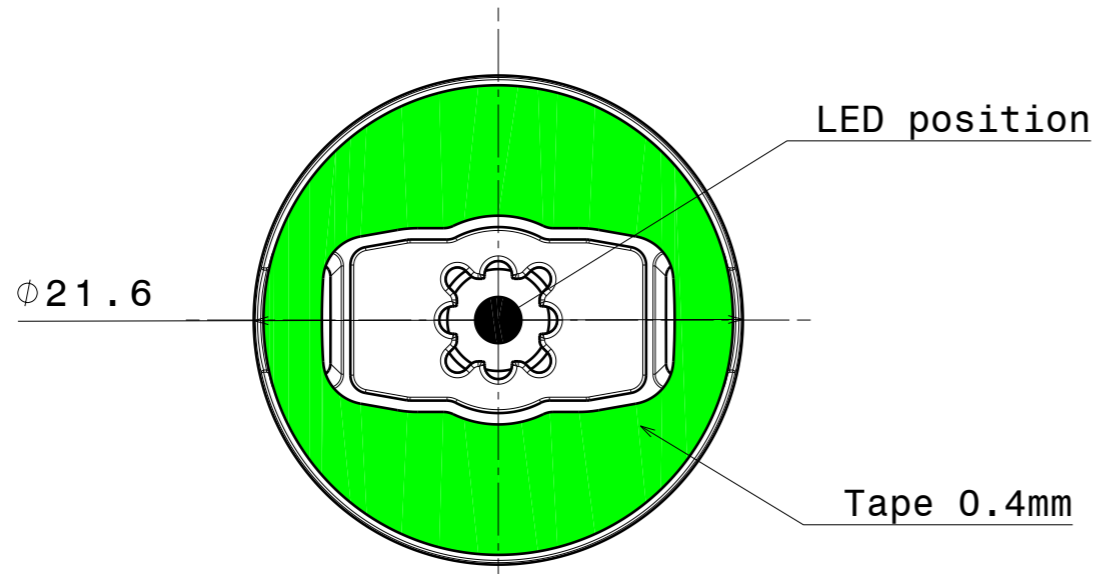
H G F E D C B A



Front view
Scale: 3:1



Isometric view
Scale: 3:1



Bottom view
Scale: 3:1

| INDEX | DESCRIPTION | MATERIAL | COLOUR |
|-------|-------------|----------------------|----------|
| 1 | Lens | PMMA | |
| 2 | Holder | PC | black |
| 3 | Tape | PU 2-sided foam tape | adhesive |

Tolerances if not otherwise shown
According to DIN ISO 2768-1
Linear measures:
Up to 30mm class M, otherwise class C.
According to DIN ISO 2768-2
Form and position: class L

LEDiL LediL Oy
Salorankatu 10
FIN 24240 SALO
Finland

THIRD ANGLE PROJECTION:

DRAWING TITLE
Datasheet_LXP-Series

This drawing is the property of LEDiL Oy. It may not be reproduced, copied or communicated without a written agreement with LEDiL Oy.

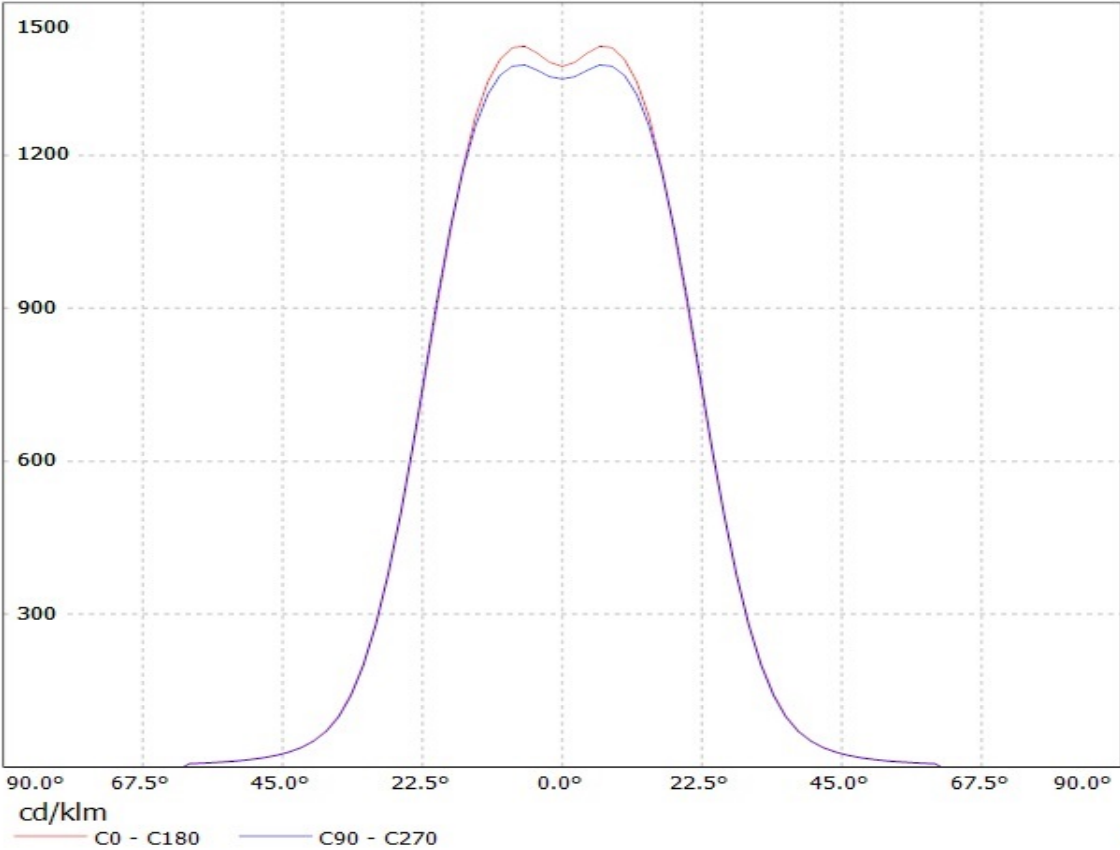
SIZE PART NUMBER
A3 -

SCALE 3:1 WEIGHT - SHEET 1/1

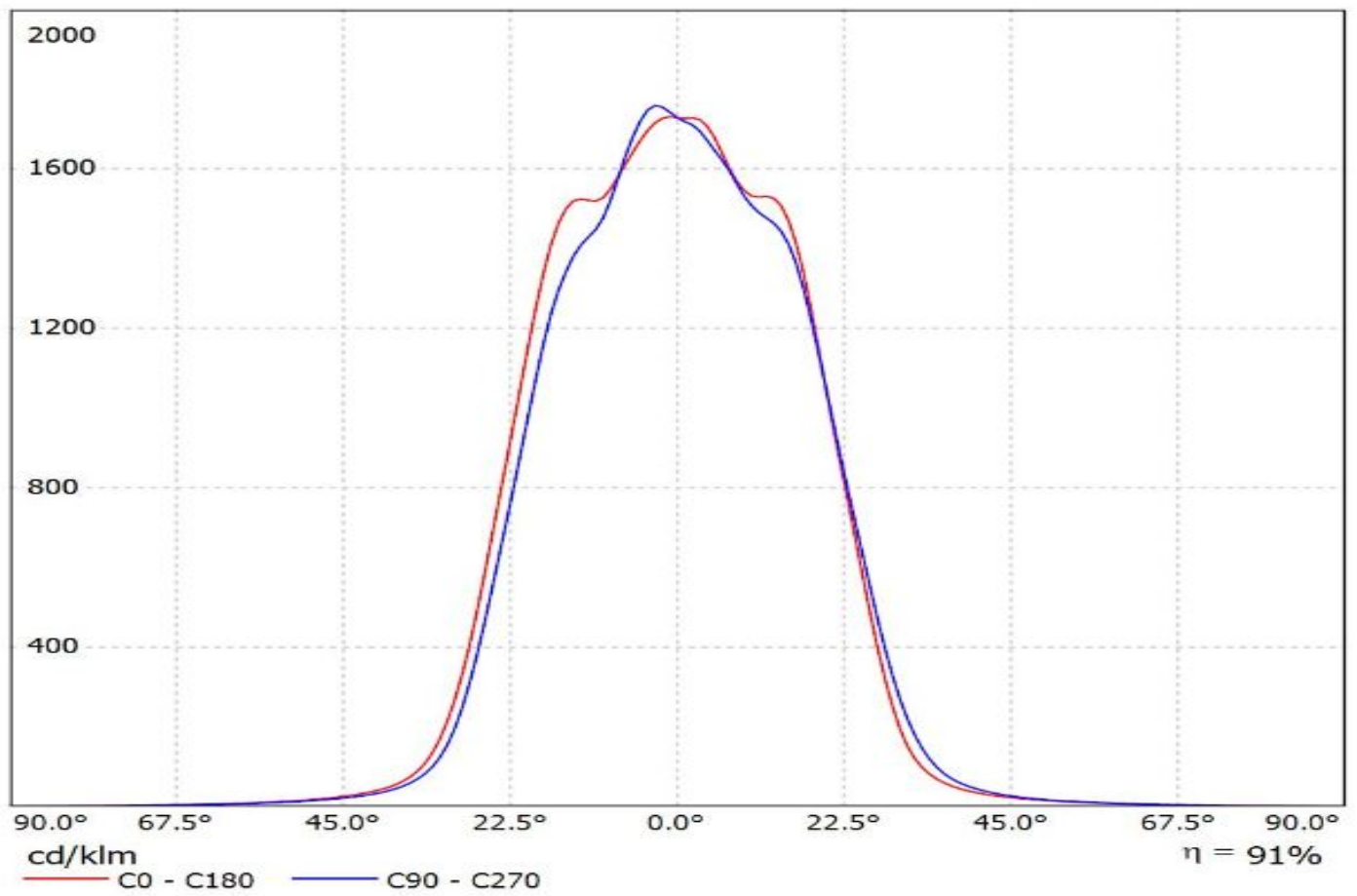
H G B A

Ledil Oy FA10832_LXP-G-W FA10832_LXP-G-W / LDC (Linear)

Luminaire: Ledil Oy FA10832_LXP-G-W FA10832_LXP-G-W
Lamps: 1 x Cree XP-G (White)



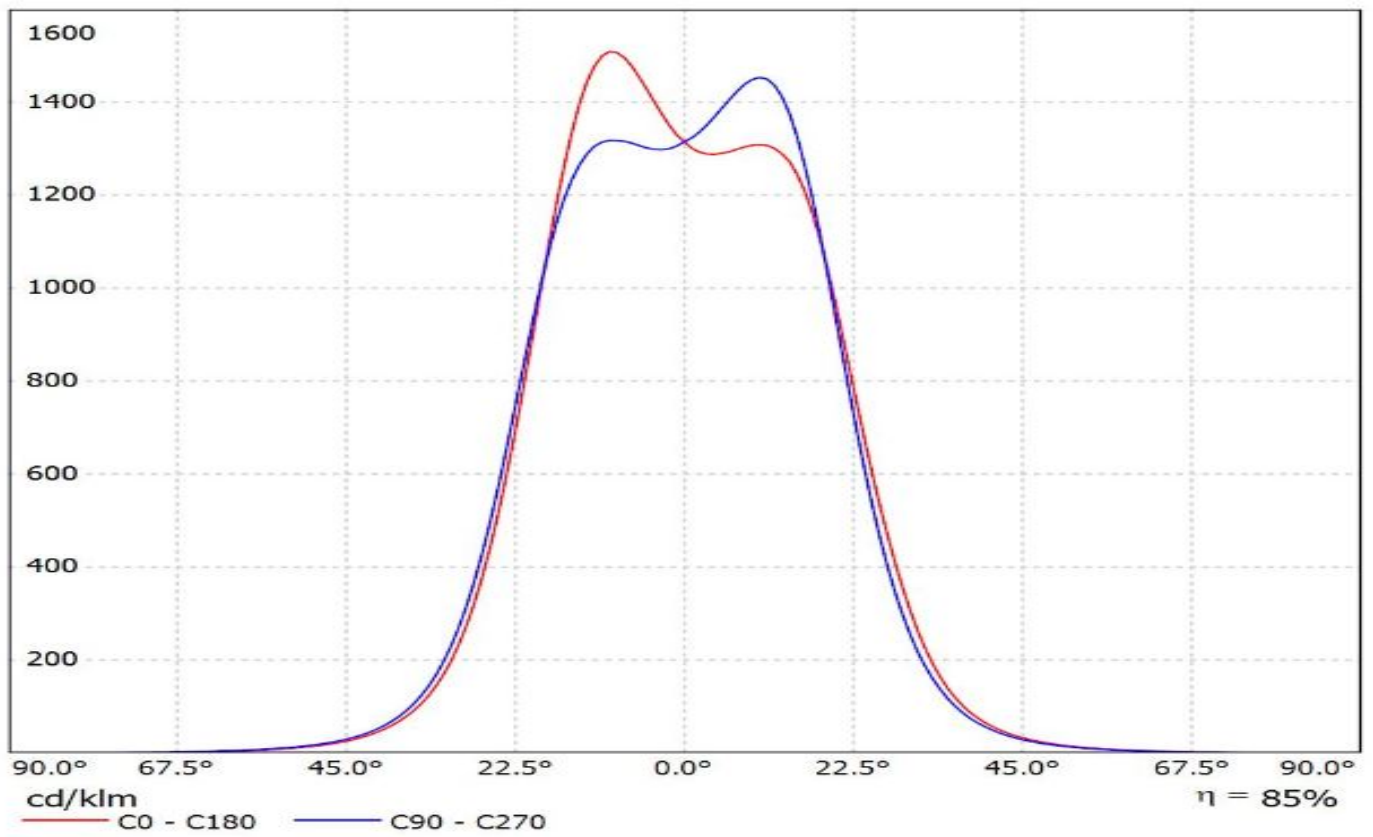
Luminaire: LEDIL OY FA10832_LXP-W_(XP-E)
Lamps: 1 x XP-E (71.84lm)



Ledil FA10832_LXP-W_(XP-L_HI) / LDC (Linear)

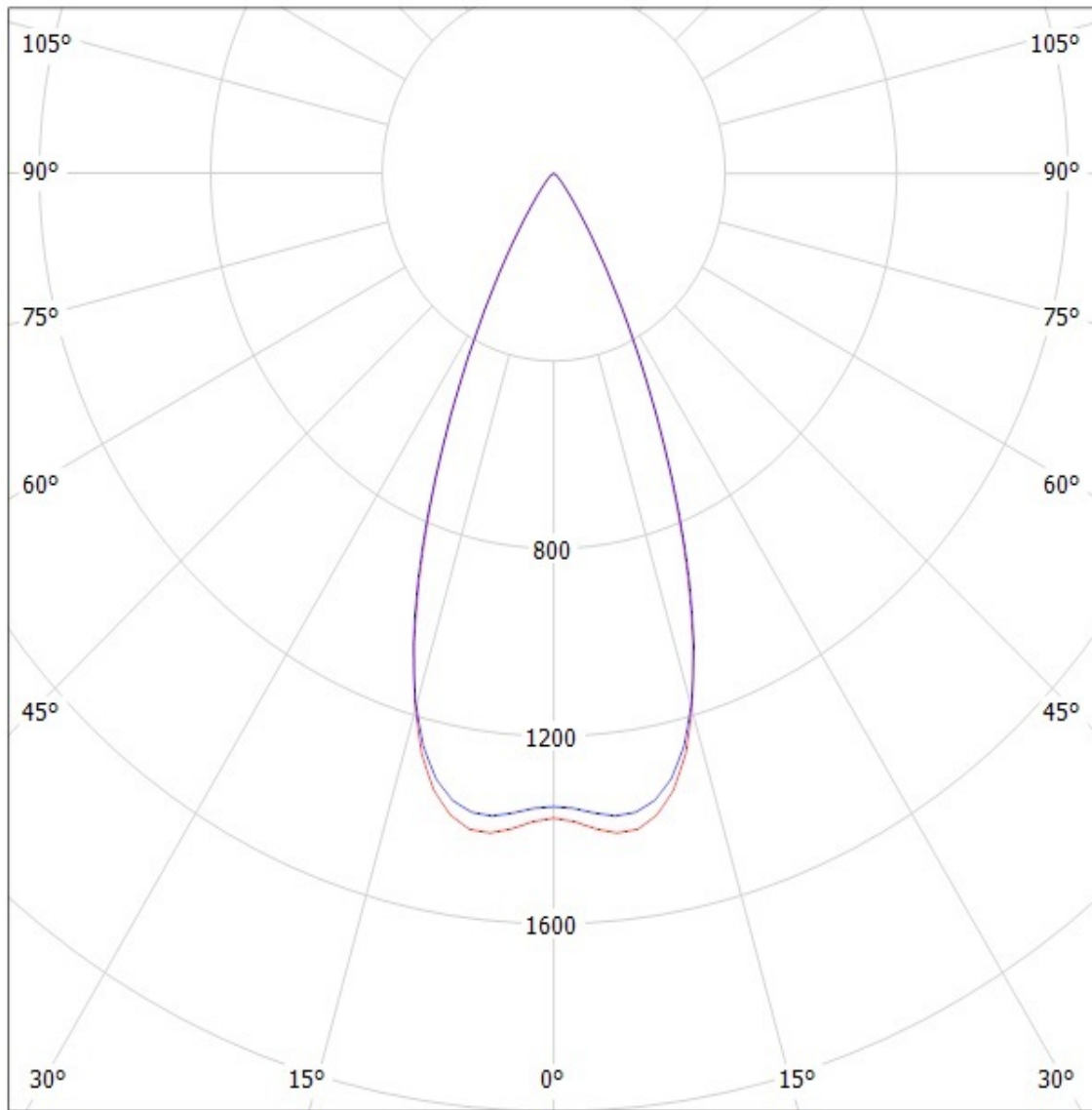
Luminaire: Ledil FA10832_LXP-W_(XP-L_HI)

Lamps: 1 x CREE_XP-L_HI_116.971lm@250mA_P=0.75W_I=0.25A



Ledil Oy FA10832_LXP-G-W FA10832_LXP-G-W / LDC (Polar)

Luminaire: Ledil Oy FA10832_LXP-G-W FA10832_LXP-G-W
Lamps: 1 x Cree XP-G (White)

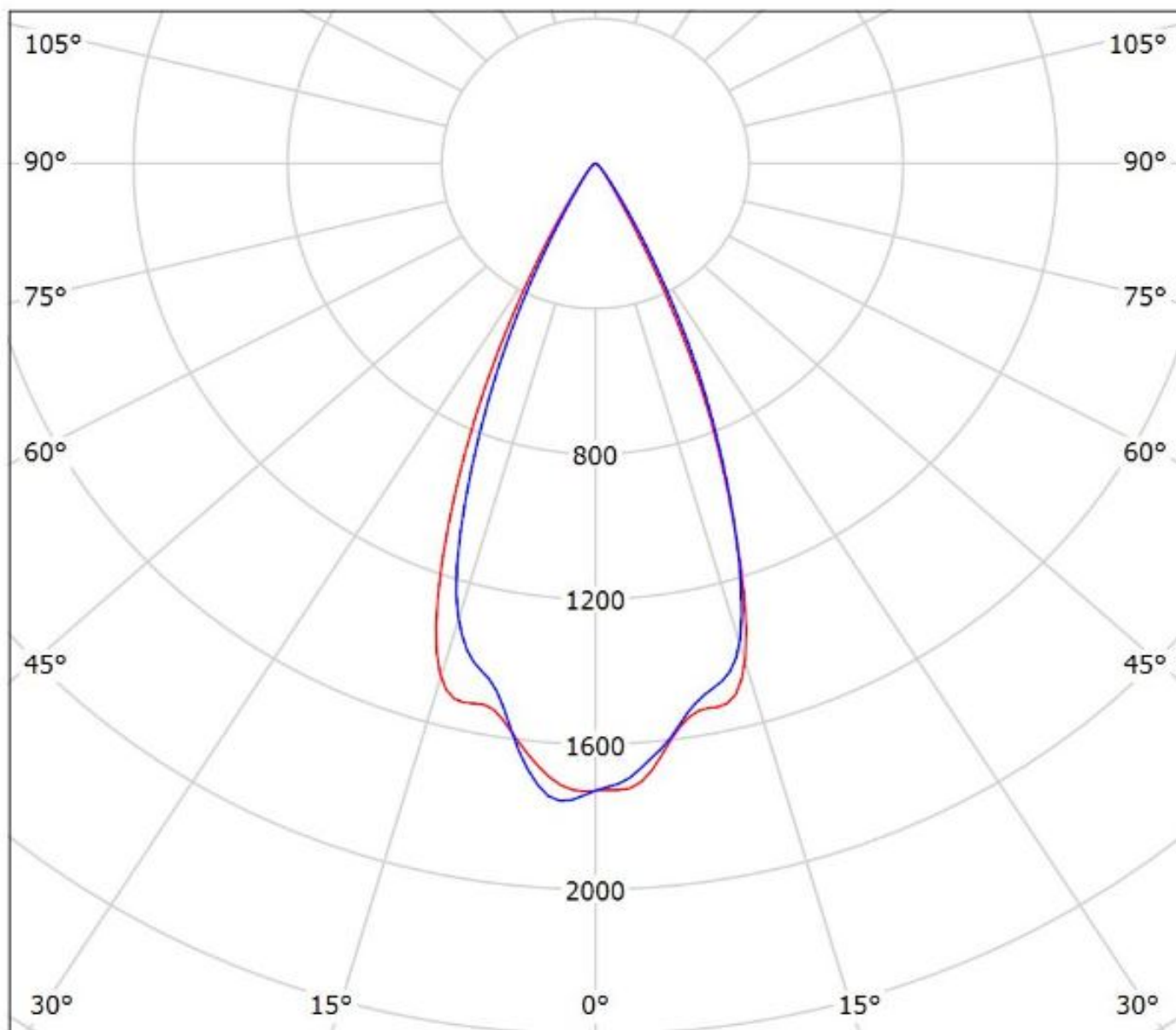


cd/klm

— C0 - C180 — C90 - C270

SIMULATED

Luminaire: LEDIL OY FA10832_LXP-W_(XP-E)
Lamps: 1 x XP-E (71.84lm)



cd/klm

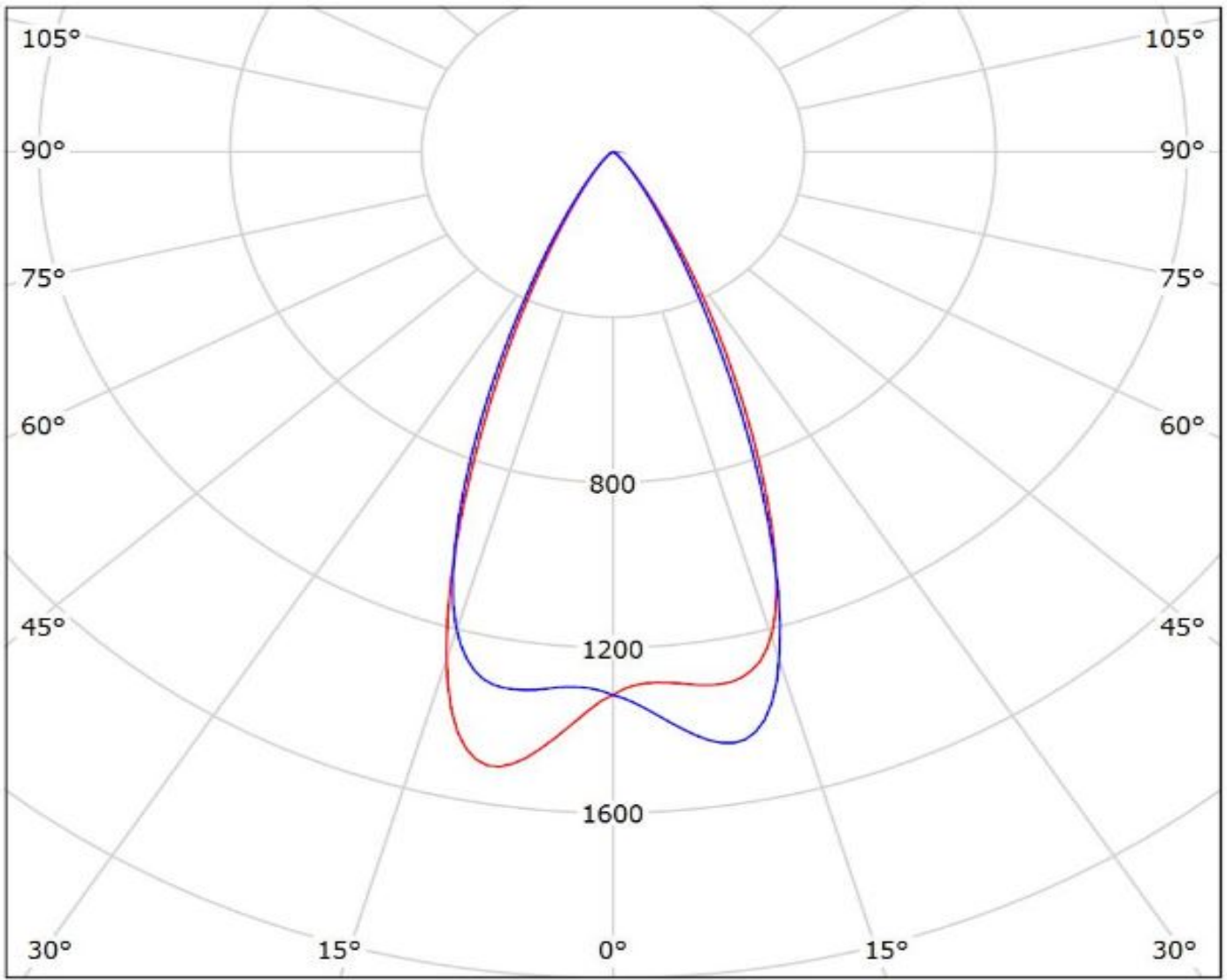
— C0 - C180 — C90 - C270

$\eta = 91\%$

Ledil FA10832_LXP-W_(XP-L_HI) / LDC (Polar)

Luminaire: Ledil FA10832_LXP-W_(XP-L_HI)

Lamps: 1 x CREE_XP-L_HI_116.971lm@250mA_P=0.75W_I=0.25A



cd/klm

— C0 - C180 — C90 - C270

$\eta = 85\%$

NOTE: The typical divergence will be changed by different color, chip size and chip position tolerance. The typical total divergence is the full angle measured where the luminous intensity is half of the peak value.