

Data sheet

Commercial Art.No.: 73.350.0645.1

Hood BAS GOE GG 6HM25 50 A1

Hood-EMV revos basic made of aluminum, for single locking lever with threaded hole M25 on the right side, high version, 6-poles



Commercial Art.No.	73.350.0645.1
EAN	4015573750739
Order Unit	1

Technical data

General

Housing material	aluminum
Color	Grey
Surface	With powder coating
Degree of protection (IP)	Other
UV resistant	yes
Inflammability class of insulation material acc. with UL94	Other
Operating temperature range min.	-40 °C
Operating temperature range max.	120 °C

Model

Construction	6H
Locking mechanism	Single locking lever
Cable entry	Sideways
Type of cable	Thread
With cable screw gland	No
Thread size M	25
Thread size PG	
Hinged lid	No
EMC-version	yes
Length	60 mm
Width	43 mm
Height	70 mm

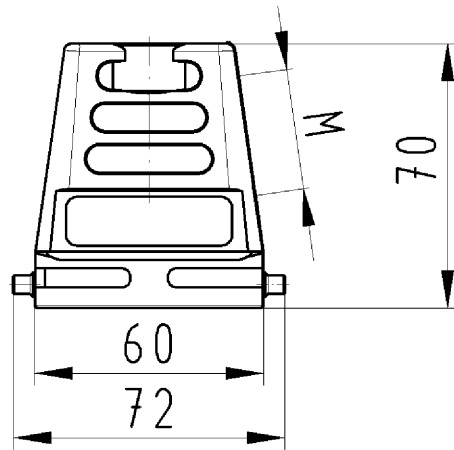
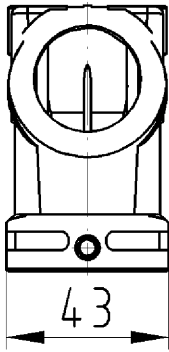
Classification

ECLASS 11	
-----------	--

ECLASS 8.1	27440202
ETIM 7.0	EC000437
ETIM 6.0	EC000437
ETIM 5.0	EC000437
ETIM 4.0	EC000437
ETIM 3.0	EC000437

Product compliance

ROHS conformity status	Compliant/Exempted
ROHS exceptions	III-6(b)
REACH-SVHC conformity status	Duty-To-Declare
REACH-SVHC substances	Lead
REACH-SVHC CAS numbers	7439-92-1



Zeichnungsnummer
73.350.0645.110W
Gehäuseoberteil

Gehäuseoberteil
73.350.0645.1

08.01.2008
Hoffmann Angelika
M 1:2