

Data sheet

Commercial Art.No.: 91.921.3053.0

Connector GST15I2S B1 ZR1W WS

GST15i2 connector, 2 pole, female, with screw connection (tall strain relief), for cable diameters 6-7.7 mm, coding protection class II 250 V, 16 A, coding color white, strain relief color white



Commercial Art.No.	91.921.3053.0
EAN	4015573915961
Order Unit	1

Certificates / Approvals



Technical data

General

Rated current	16 A
Rated voltage	250 V
Rated impulse voltage	4 kV
strain relief	yes
Pollution degree	2
Mechanical coding	Code 1
Lockable	self-locking (unlocking by tool)
Color of coding/ contact carrier	white
Marking of poles	L, N
Color of housing inclusive strain relief	white

Connection Data

Cable diameter max.	7.7 mm
Cable diameter min.	6 mm
Connection cross section solid mm ² max.	2.5 mm ²
Connection cross section solid mm ² min.	0.5 mm ²
Connection cross section fine stranded mm ² max.	2.5 mm ²
Connection cross section fine stranded mm ² min.	0.5 mm ²
Terminations per pole	1
sheath strip length	19 mm
Wire strip length	8 mm

Model

Model	female
Connection type	screw connection
Degree of protection (IP)	IP20

Material

Housing material	Polyamide
halogen free	yes
Contact material	CuZn
Fire load	0.048 kWh
Insulation components continuous temperature	100 °C
Surface finish	Silver-plated

Dimensions

Length	53.2 mm
Width	17.7 mm
Height	13.8 mm

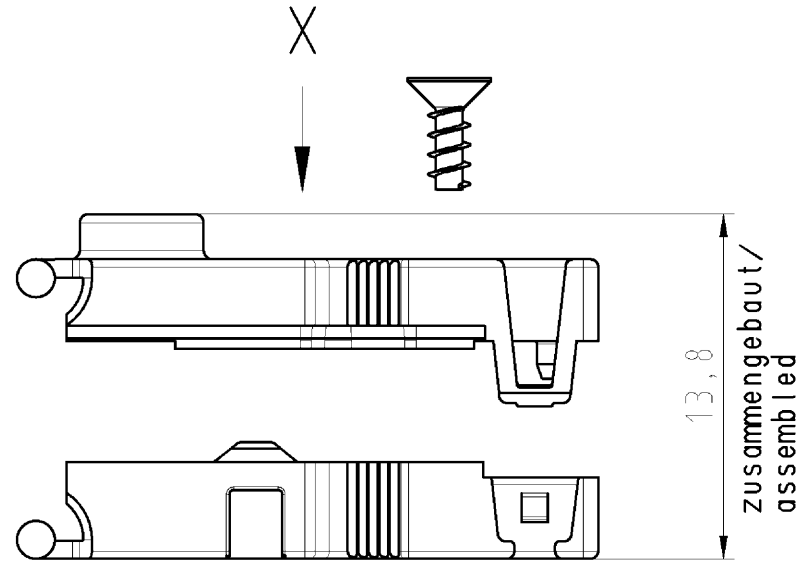
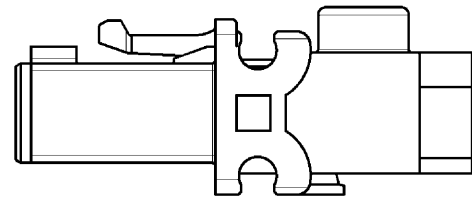
Classification

ECLASS 11	
ECLASS 8.1	27440605
ETIM 7.0	EC002560
ETIM 6.0	EC002560
ETIM 5.0	EC002560
ETIM 4.0	EC002560

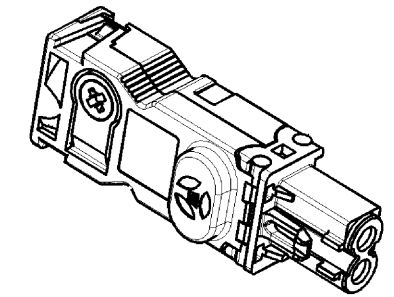
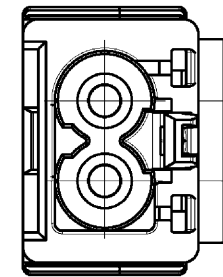
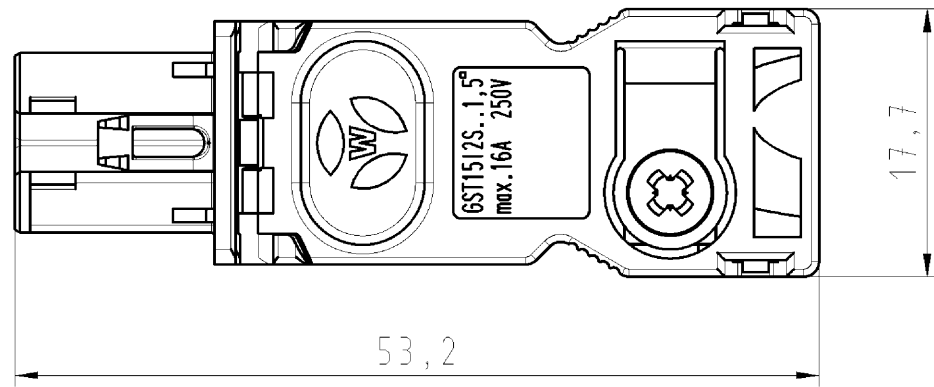
Product compliance

ROHS conformity status	Compliant/Exempted
ROHS exceptions	III-6(c)
REACH-SVHC conformity status	Duty-To-Declare
REACH-SVHC substances	Lead
REACH-SVHC CAS numbers	7439-92-1

These dimensions will be especially checked at delivery
 Only inspection dimensions
 With /E marked dimensions are only valid for internal use



Ansicht in Pfeilrichtung X im montierten Zustand
 view in arrow direction X mounted version



M/scale 1:1

Teile-Nr.: part-number:	Farbe: colour:
91.921.3053.0	weiß, ähnl. RAL 9003 white, similar to RAL 9003
91.921.3053.1	schwarz, ähnl. RAL 9005 black, similar to RAL 9005

Tolerierung nach DIN 7167/Tolerance system acc. to DIN 7167. (This DIN-standard describes the envelope principle. According to the envelope principle the deviations of form and parallelism are limited by the size tolerances).				ja/yes <input checked="" type="checkbox"/> Stoffverbots- und Deklarationsliste nach UU-TOM-05/03 ist einzuhalten. Conformity with Wieland document UU-TOM-05/03 (list of prohibited / declarable hazardous substances) to be declared!			
Freitoleranz nach General tolerance		CAD - Zeichnung, keine manuellen Änderungen CAD - drawing, no manual modifications allowed		1. Verwendung: First Use:		Blatt: 1 von 1 Sheet: of 1	
		Werkstoff/Material Farbe: siehe Tabelle colour see table		2012 Tag/Date Name		Zeichnung Nr./Drawing No. Index	
		Maßstab/Scale 2:1		gezeichnet/drawn 06.11. Ritter		T 91.921.3053.0 01K	
		Vol. mm ³ Ofl./Surf. mm ²		Normgepr. / Stand. check		Maße in mm/Dimensions are in mm	
		Ersatz für/Replacement for: -					
		wieland Elektrische Verbindungen		Type		Benennung/Titel FEMALE CONNECTOR WITH STRAIN RELIEF BUCHSTENT_M_ZUGENTL GST1512SB1.. (Netzanschluss/mains connection)	
Index Datum / Blatt Date / Sheet		Änderung/Revision					

Weitergabe sowie Vervielfältigung dieses Dokuments, Verwertung und Mitteilung seines Inhalts sind verboten, soweit nicht ausdrücklich gestattet.
 The reproduction, distribution and utilization of this document as well as the communication of its contents to others without express authorization is prohibited.

919213053001K_2 CADW2031 Ritter 2012-11-06109:26:32 1.000