

Wire To Board Connectors * Wire To Wire Connectors

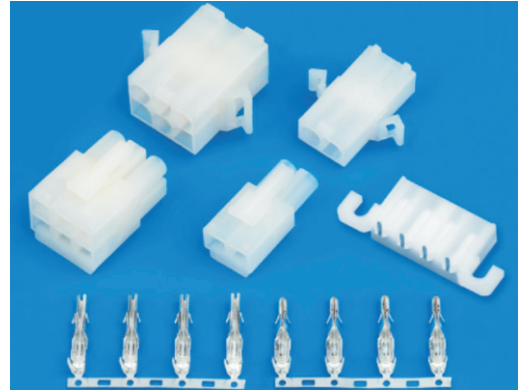
KLS1-6.70 6.70mm pitch Wire To Board Connectors

Specifications:

Voltage rating:300v.Ac/Dc
Current rating:12~8A
Contact resistance: $\leq 0.01\Omega$
Insulation resistance: $\geq 1000M\Omega$
Withstand voltage:2000v.Ac/1min
Poles:1、2、3、4、6、9、12、15
Applicable PC board thickness:1.6mm
Temperature range:-25℃~85℃

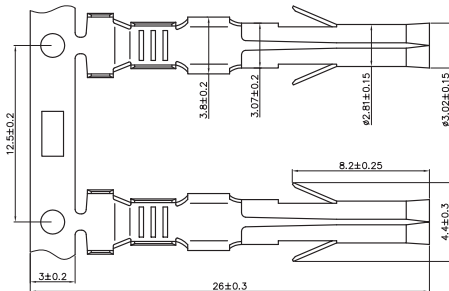
Material:

Plug housing:PA66 UL94V-2(0)
Receptacle housing:PA66 UL94V-2(0)
Terminal:Phos.bronze Tin/plated

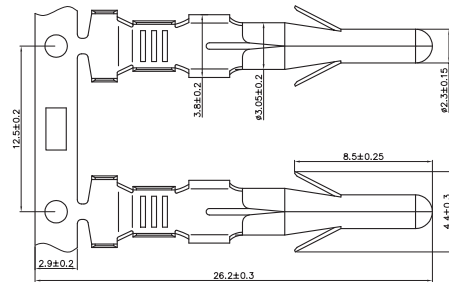


I

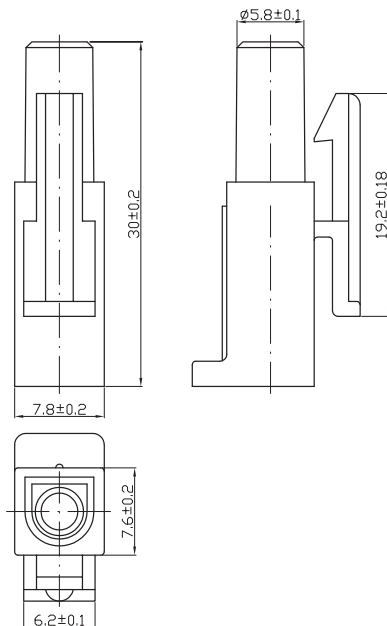
L-KLS1-6.70-FT



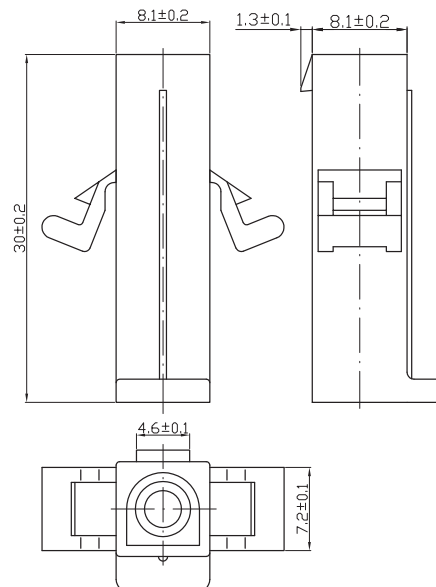
L-KLS1-6.70-MT



L-KLS1-6.70-1×01R



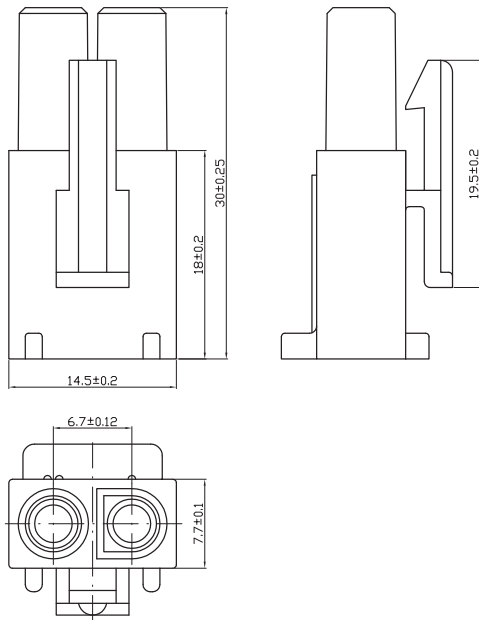
L-KLS1-6.70-1×01P



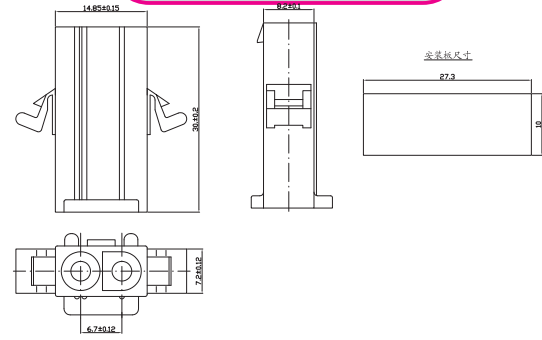
Wire To Board Connectors * Wire To Wire Connectors

KLS1-6.70 6.70mm pitch Wire To Board Connectors

L-KLS1-6.70-1×02R

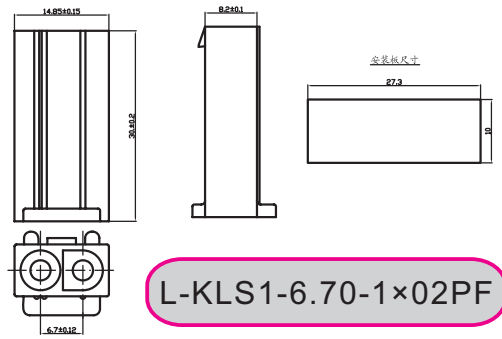


L-KLS1-6.70-1×02P

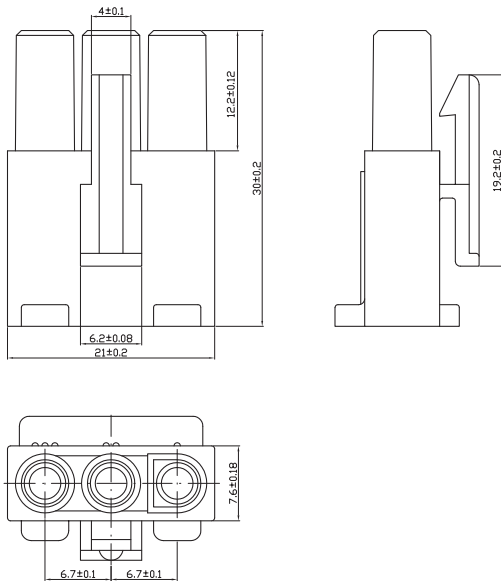


I

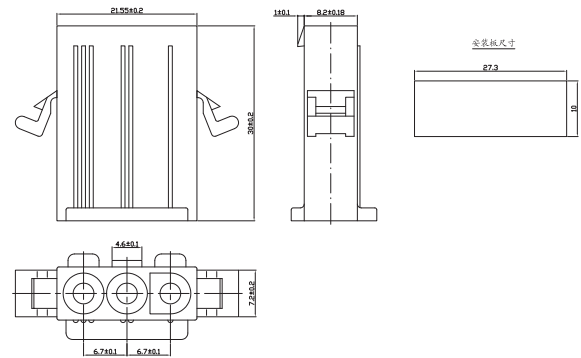
L-KLS1-6.70-1×02PF



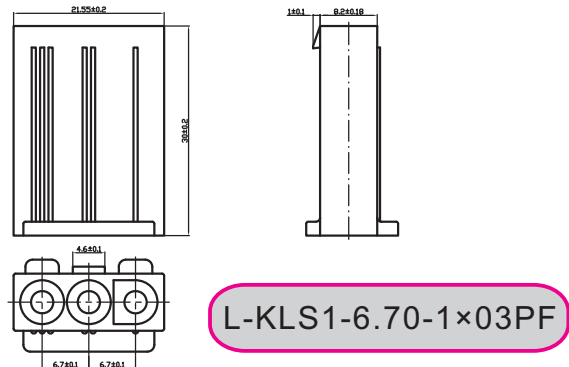
L-KLS1-6.70-1×03R



L-KLS1-6.70-1×03P



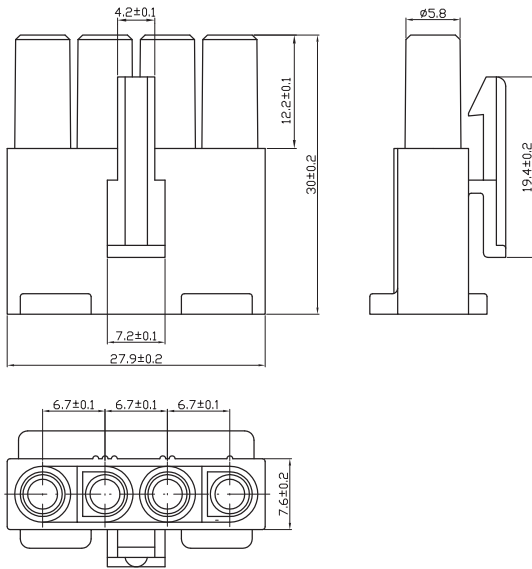
L-KLS1-6.70-1×03PF



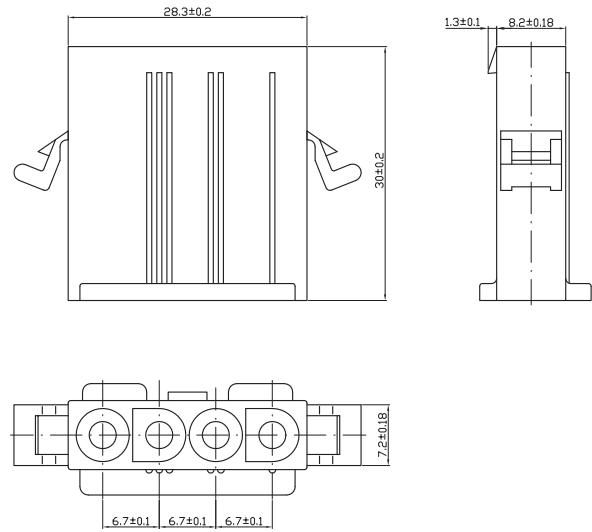
Wire To Board Connectors * Wire To Wire Connectors

KLS1-6.70 6.70mm pitch Wire To Board Connectors

L-KLS1-6.70-1×04R

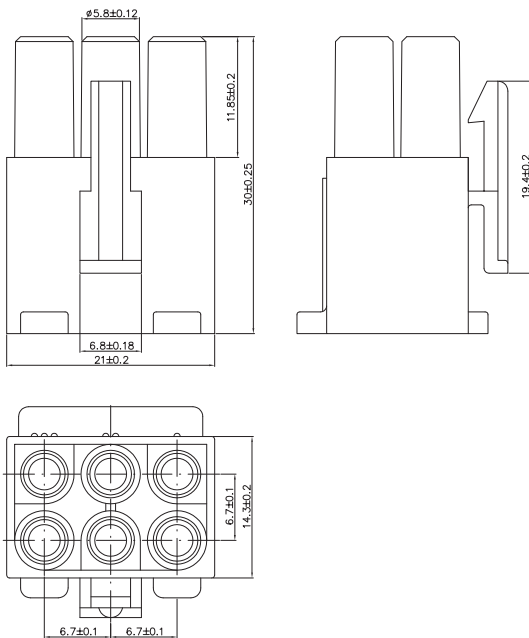


L-KLS1-6.70-1×04P

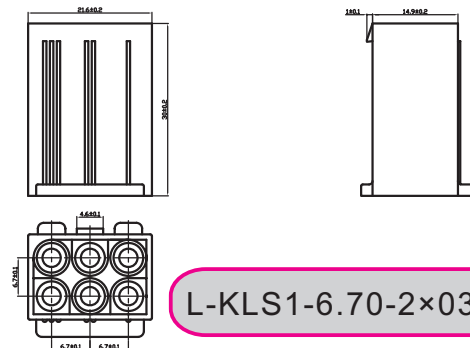
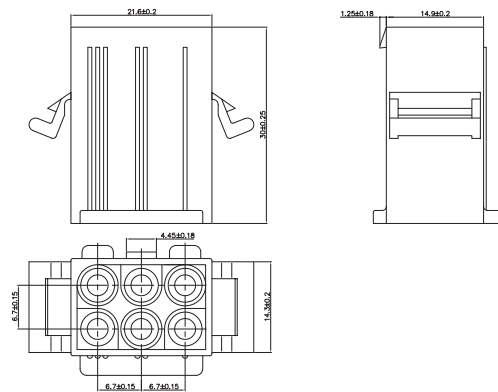


I

L-KLS1-6.70-2×03R



L-KLS1-6.70-2×03P

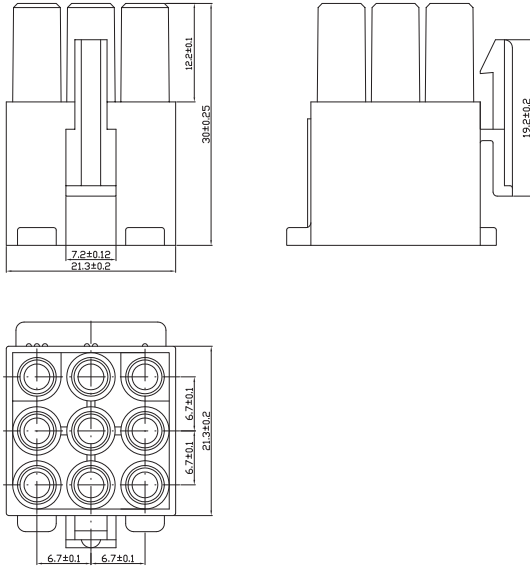


L-KLS1-6.70-2×03PF

Wire To Board Connectors * Wire To Wire Connectors

KLS1-6.70 6.70mm pitch Wire To Board Connectors

L-KLS1-6.70-3×03R



L-KLS1-6.70-3×03P

