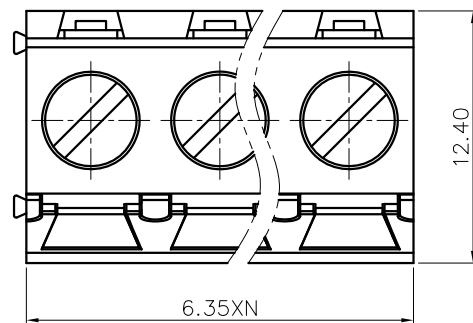


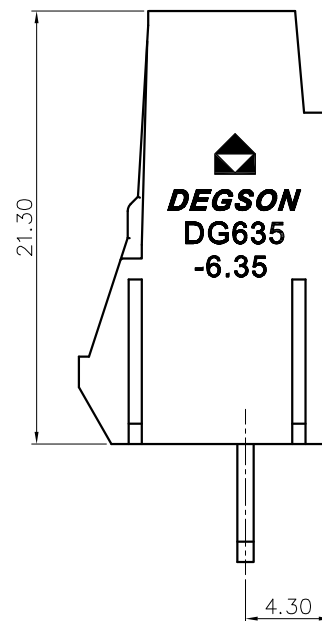
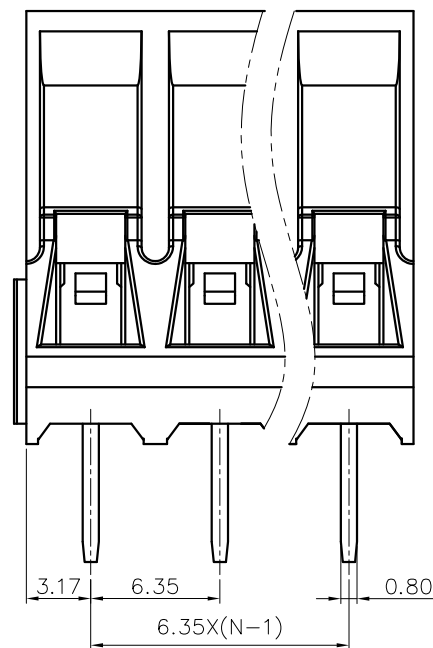
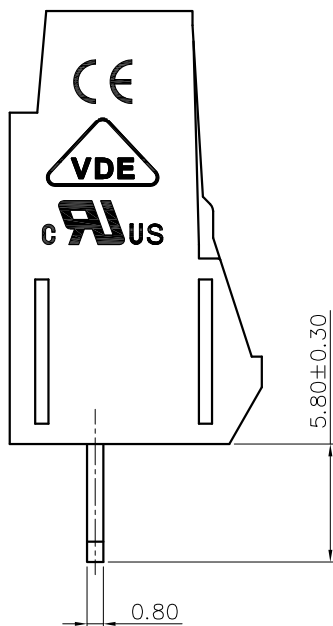
REVISION RECORD

REV	ECN	DESCRIPTION	DRFT	DATE
-----	-----	-------------	------	------



DG635 - 6.35 - XXP - 1Y - 00A (H)
 (Series No.) (Pitch) (Poles) (Single Pitch) (RoHS)
 00A-(Standard)
 (Color): 1.(Grey) 2.(Blue) 3.(Black) 4.(Green) 5.(Orange)
 6.(Red) 7.(Transparent) 8.(Yellow) 9.(White)

H
G
F
E
D
C
B
A



NOTES1:

- UL Standard
- 1.Rated voltage/current : 300V / 30A
- 2.Torque value : M3 , 4.43Lb.in
- 3.Wire range : 26~10AWG

IEC Standard

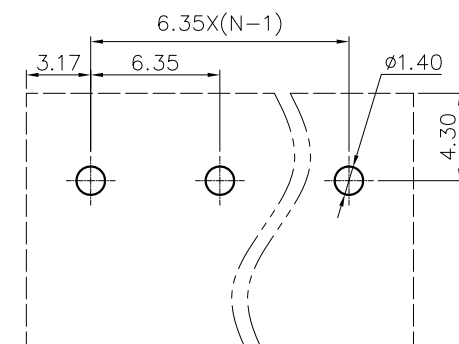
- 1.Rated voltage/current : 450V / 32A
- 2.Torque value : M3 , 0.5N·m
- 3.Wire range : 1.0~4.0mm²

NOTES2:

- 1.Dimension shall be interpreted per ASME Y14.5-2009
- 2.Pitch : 6.35mm, Poles : N=02~24P
- 3.Stripping length : 8~9mm
- 4.Withstanding voltage : AC2500V/1Min.
- 5.Operating temperature: -40°C~+105°C
- 6.Undimensioned tolerances:

Pitch range in mm	Nominal dimension range in mm						0.1/10	0.1/10
	Over 6 TO 10	Over 10 TO 24	Over 30 TO 60	Over 60 TO 100	Over 100 TO 150	Over 150		
±0.15	±0.20	±0.30	±0.30	±0.50	±0.70	±1.00	±1.30	±2'

7.RoHS Compliance



PCB LAYOUT

DETACHED LISTS	PART NO.:	/			
	APPD:	/			
	CHKD:	/			
	DRFT:	/			
	THIRD ANGLE PROJECTION		DRAWING NO.:		REV
		/		SHEET	1/1
		MM (INCH)		SCALE	1:1
		DO NOT SCALE DRAWING			

H
G
F
E
D
C
B
A