

Data sheet

Commercial Art.No.: 96.021.4051.4

Connector RST20I2S B13ZR1S L BR0

RST20i3/2 connector, 2 pole, female, screw connection, application ~50V/-120V, 20A, for cable diameters 6-10mm, coding color signal brown, color of housing black



Commercial Art.No.	96.021.4051.4
EAN	4015573857551
Order Unit	1

Certificates / Approvals



LR



Technical data

General

Rated current	20 A
Rated voltage	50 V / 120 V
Rated impulse voltage	4 kV
strain relief	yes
Pollution degree	3
Lockable	self-locking (unlocking by tool)
Color of coding/ contact carrier	signal brown
Marking of poles	1, 2
Color of housing inclusive strain relief	black

Connection Data

Cable diameter max.	10 mm
Cable diameter min.	6 mm
Connection cross section solid mm ² max.	6 mm ²
Connection cross section solid mm ² min.	0.75 mm ²
Connection cross section solid AWG min.	16 AWG
Connection cross section solid AWG max.	10 AWG
Connection cross section fine stranded mm ² max.	6 mm ²
Connection cross section fine stranded mm ² min.	0.75 mm ²
Terminations per pole	1
Connection cross section stranded mm ² min.	0.75 mm ²
Connection cross section stranded mm ² max.	6 mm ²
Connection cross section stranded AWG min.	16 AWG
Connection cross section stranded AWG max.	10 AWG
sheath strip length	26.5 mm
Wire strip length	8 mm

Model

Model	female
Connection type	screw connection
Degree of protection (IP)	IP66/68 (3m;2h) /IP69

Material

Housing material	Polyamide
halogen free	yes
Contact material	CuZn
Fire load	0.293 kWh
Insulation components continuous temperature	100 °C
Surface finish	Silver-plated

Dimensions

Length	82 mm
Width	34.6 mm
Height	34.6 mm

Classification

ECLASS 11	
ECLASS 8.1	27440605
ETIM 7.0	EC002560
ETIM 6.0	EC002560
ETIM 5.0	EC002560
ETIM 4.0	EC002560

Note

Note	RST® terminals with screw clamping allow the connection of conductors without special preparation (without ferrules) according to EN 60999-1.
------	---

Product compliance

ROHS conformity status	Compliant/Exempted
ROHS exceptions	III-6(c)
REACH-SVHC conformity status	Duty-To-Declare
REACH-SVHC substances	Lead
REACH-SVHC CAS numbers	7439-92-1

Accessories

Commercial Art.No.:	Article-type description:	Description:
99.414.6205.2	Cover for female connector SW	RST20i3/2 cover piece, for covering unused female connectors, with fastening belt, color schwarz
Z5.564.4553.1	Cover for female connector SW	RST20i3/2 cover piece, for covering unused female connectors, color black

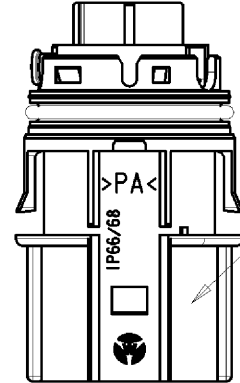
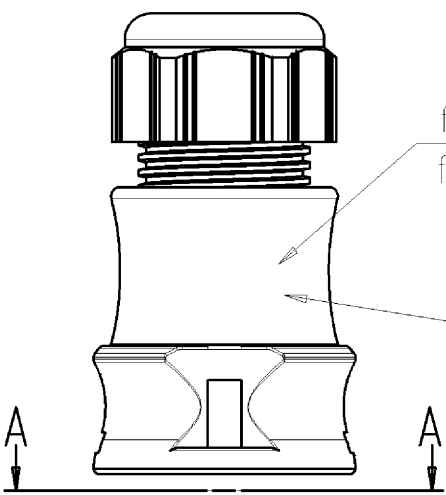
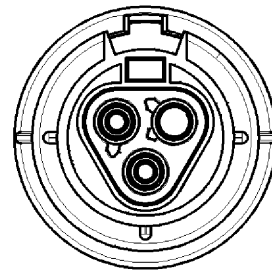
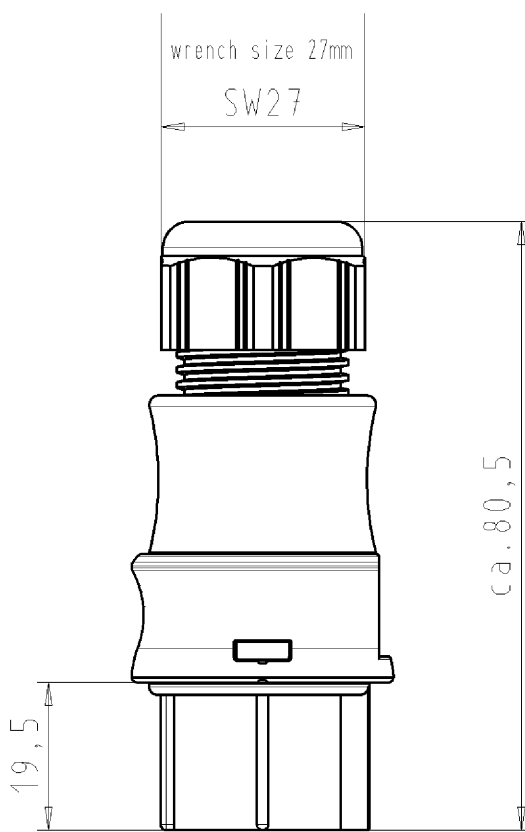
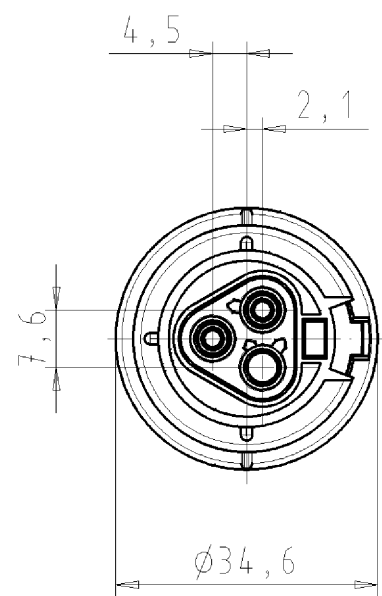
Fits with

Commercial Art.No.:	Article-type description:	Description:

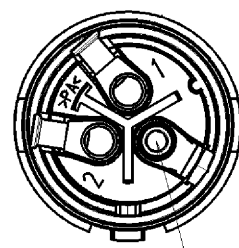
96.020.0151.4	Distributor RST20I2V 3P1 F V L BR0	RST20i3/2 distribution block, 2 pole, application ~50V/-120V, 20A, 1 input and 3 outputs, with fastening option, coding color signal brown, color of housing signal brown
96.022.4051.4	Connector RST20I2S S13ZR1SVL BR0	RST20i3/2 connector, 2 pole, male, screw connection, application ~50V/-120V, 20A, for cable diameters 6-10mm, coding color signal brown, color of housing black
96.024.4051.4	Connector RST20I2S S13YR1SVL BR0	RST20i3/2 connector (90° angled), 2 pole, male, screw connection, application ~50V/-120V, 20A, for cable diameters 6-10mm, coding color signal brown, color of housing black
99.946.0000.7	Distributor RST20I2B 7P1 FV LBR	RST20i3/2 multi-distribution unit, 2 pole, application ~50V/-120V, 20A, 1 input and 7 outputs, mounting option, coding color signal brown, color of housing black

These dimensions will be especially checked at delivery
 Only inspection dimensions
 With /E marked dimensions are only valid for internal use

Diese Maße werden bei Abnahme besonders geprüft
 Ausschließlich Prüfmaße
 Mit /E gekennzeichnete Maße sind nur für interne Zwecke gültig



A-A



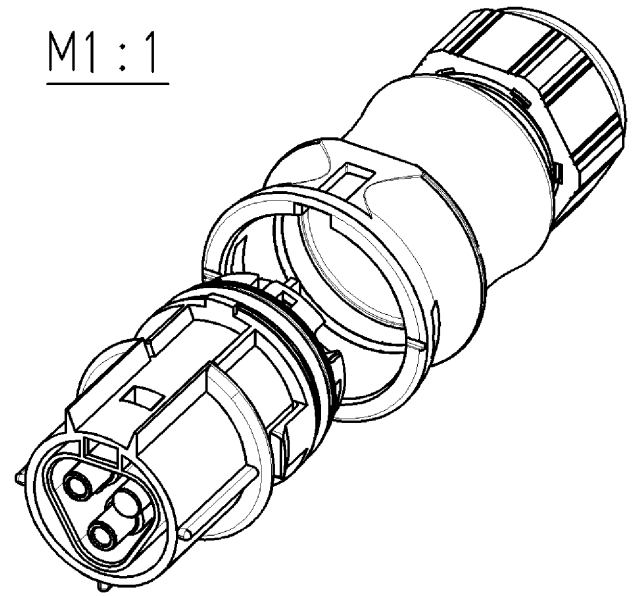
pole unassembled
 Pol unbestückt

for cable diameter 6-10mm
 für Kabeldurchm. 6-10mm

color: black, similar RAL 9005
 Farbe: schwarz, ähnl. RAL 9005

color: brown, similar RAL 8002
 Farbe: braun, ähnl. RAL 8002

M1:1



Verpackungseinheit: je 100 Stück
 packaging unit: per 100

Zulässige Abweichungen nach DIN 7167/Permissible deviations acc. to DIN 7167. (This DIN-standard describes the envelope principle. According to the envelope principle the deviations of form and parallelism are limited by the size tolerances).				nein/no <input checked="" type="checkbox"/> Stoffverbots- und Deklarationsliste nach UU-TQM-05/03 ist einzuhalten. Conformity with Wieland document UU-TQM-05/03 (list of prohibited / declarable hazardous substances) to be declared!			
Freitoleranz nach General tolerance		CAD - Zeichnung, keine manuellen Änderungen CAD - drawing, no manual modifications allowed		1. Verwendung: First Use: -		Blatt: 1 von 1 Sheet: of 1	
/		Werkstoff/Material		2005 Tag/Date Name		Zeichnung Nr./Drawing No. Index	
/		Maßstab/Scale		gezeichnet drawn		96.021.4051.4 01K a	
/		1:1		geprüft checked		Maße in mm/Dimensions are in mm	
/		Vol. mm ³ Ofl./Surf. mm ²		Norrgepr. Stand. check			
/		Ersatz für/Replacement for: -		Type		Benennung/Titel	
a 07.09.2005/		wieland		Type		BUCHSENTEIL MIT ZUGENTLASTUNG	
Index Datum / Blatt Date / Sheet		Elektrische Verbindungen		Type		female connector with cord grip	
Änderung/Revision				Type		Schraubanschluß ohne Drahtschutz/screw-connection without wire protection	
				Type		Typ: RST2012S B1Z1R1S L BR01	

Weitergabe sowie Vervielfältigung dieses Dokuments, Verwertung und Mitteilung seines Inhalts sind verboten, soweit nicht ausdrücklich gestattet.
 The reproduction, distribution and utilization of this document as well as the communication of its contents to others without express authorization is prohibited.

960214051401K_4_CADW1019_Kneitz 2005-09-07 10:16:47 1.000