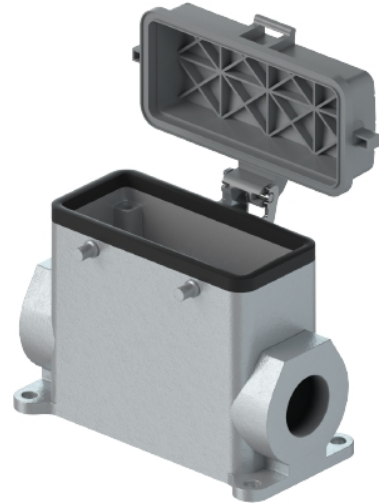


## Data sheet

Commercial Art.No.: 73.345.6435.1

Bottom BAS GUT GG 24HM32 50 A1

Bottom-base revos basic made of aluminum, with double locking lever and threaded hole M32 on the left side, with protective cover, low version, 24-polig



Commercial Art.No.	73.345.6435.1
EAN	4015573629950
Order Unit	1

## Technical data

### General

Housing material	aluminum
Color	Grey
Surface	With powder coating
Degree of protection (IP)	Other
UV resistant	yes
Inflammability class of insulation material acc. with UL94	Other
Operating temperature range min.	-40 °C
Operating temperature range max.	120 °C

### Model

Construction	24H
Locking mechanism	Double locking levers
Cable entry	Sideways
Type of cable	Thread
With cable screw gland	No
Thread size M	32
Thread size PG	
Hinged lid	yes
EMC-version	No
Length	144 mm
Width	57 mm
Height	80 mm

### Classification

ECLASS 11	
-----------	--

ECLASS 8.1	27440202
ETIM 7.0	EC000437
ETIM 6.0	EC000437
ETIM 5.0	EC000437
ETIM 4.0	EC000437
ETIM 3.0	EC000437

#### Product compliance

ROHS conformity status	Compliant/Exempted
ROHS exceptions	III-6(a)
REACH-SVHC conformity status	Duty-To-Declare
REACH-SVHC substances	Lead
REACH-SVHC CAS numbers	7439-92-1

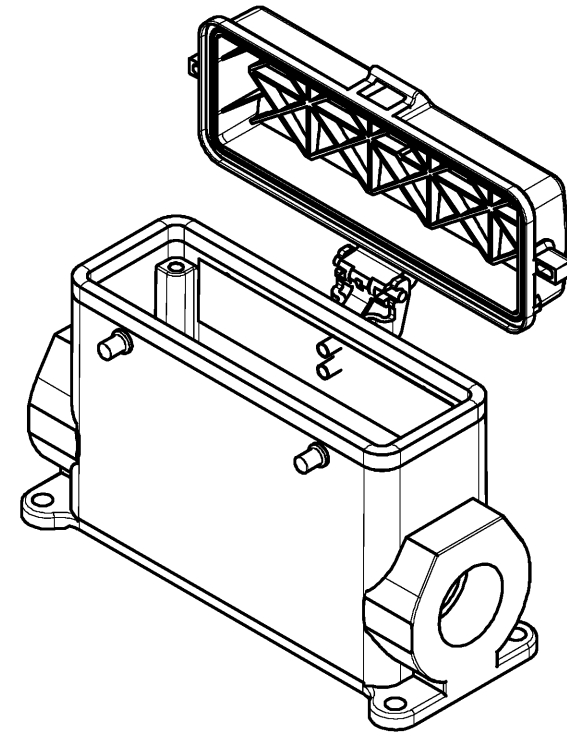
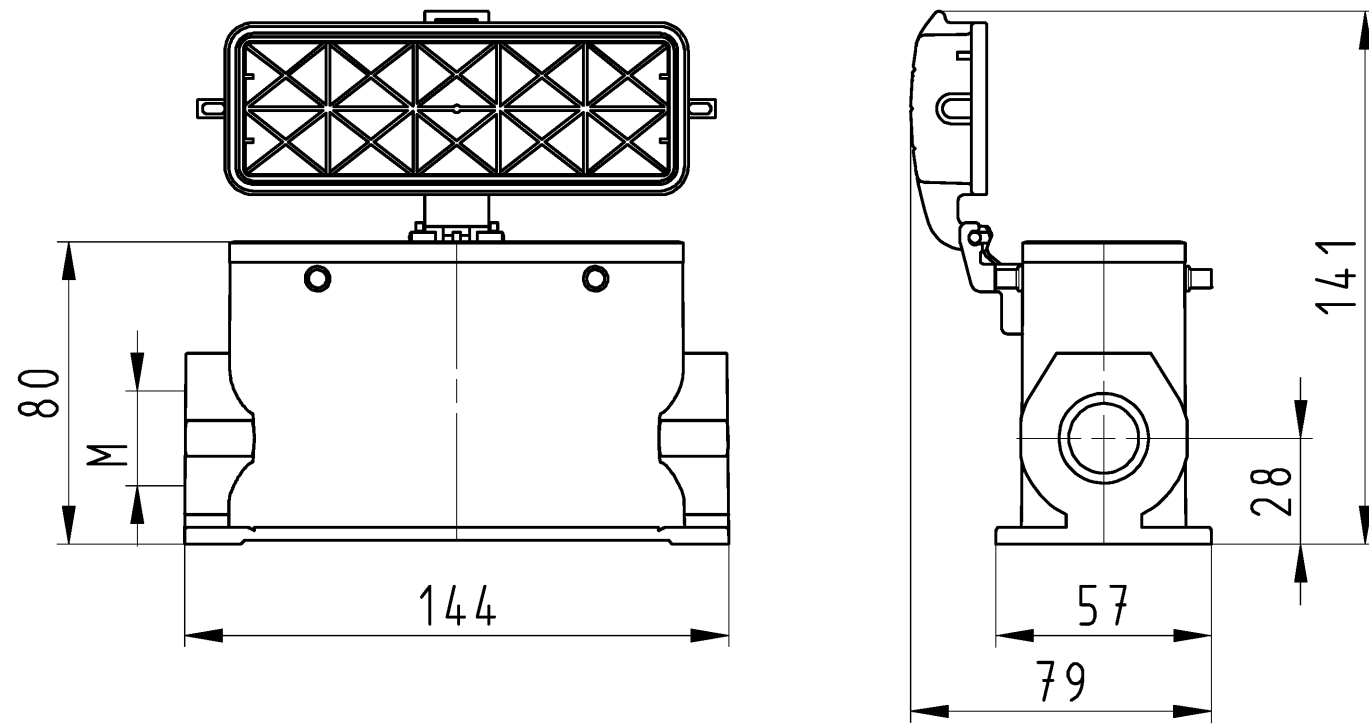
#### Fits with

Commercial Art.No.:	Article-type description:	Description:
70.300.2440.0	Female insert BAS BUS 24 2,5 50	Female insert revos basic, 24-poles, rated current: 16A, rated voltage:500V, with tin-plated contacts
70.301.2440.0	Female insert BAS BUS 24 2,5 50 AU	Female insert revos basic, 24-poles, rated current: 16A, rated voltage:500V, with gold-plated contacts
70.302.2440.0	Female insert BAS BUS OD 24 2,5 50	Female insert revos basic, 24-poles, rated current: 16A, rated voltage:500V, with tin-plated contacts
70.310.2440.0	Male insert BAS STS 24 2,5 50	Male insert revos basic, 24-poles, rated current: 16A, rated voltage: 500V, with tin-plated contacts
70.311.2440.0	Male insert BAS STS 24 2,5 50 AU	Male insert revos basic, 24-poles, rated current: 16A, rated voltage: 500V, with gold-plated contacts
70.312.2440.0	Male insert BAS STS OD 24 2,5 50	Male insert revos basic, 24-poles, rated current: 16A, rated voltage: 500V, with tin-plated contacts
70.500.2453.0	Female insert BAS BUF 24 2,5 50	Female insert revos basic, 24-poles, rated current: 16A, rated voltage:500V, with silver-plated contacts
70.510.2453.0	Male insert BAS STF 24 2,5 50	Male insert revos basic, 24-poles, rated current: 16A, rated voltage: 500V, with tin-plated contacts
70.502.2453.0	Female insert BAS BUM 24 2,5 50 AG	Female insert revos basic, 24-poles, rated current: 16A, rated voltage:500V, with silver-plated contacts
70.512.2453.0	Male insert BAS STM 24 2,5 50 AG	Male insert revos basic, 24-poles, rated current: 16A, rated voltage: 500V, with silver-plated contacts
70.700.2458.0	Female insert BAS BUC 24 50	Female insert revos basic, 24-poles, rated current: 16A, rated voltage:500V, with tin-plated contacts
70.710.2458.0	Male insert BAS STC 24 50	Male insert revos basic, 24-poles, rated current: 16A, rated voltage: 500V, with tin-plated contacts
70.800.4656.0	Female insert BAS BUCK 46 50 PC	Female insert revos basic, 46-poles, polycarbonate insert, rated current: 16A, rated voltage: 500V, with gold-plated or silver-plated contacts
70.810.4656.0	Male insert BAS STCK 46 50	Male insert revos basic, 46-poles, rated current: 16A, rated voltage: 500V, with gold-plated or silver-plated contacts
70.400.1040.0	Female insert BAS BUS 10 2,5 64	Female insert revos basic, 10-poles, rated current: 16A, rated voltage:690V, with tin-plated contacts
70.410.1040.0	Male insert BAS STS 10 2,5 64	Male insert revos basic, 10-poles, rated current: 16A, rated voltage: 690V, with tin-plated contacts
70.400.1640.0	Female insert BAS BUS 16 2,5 64	Female insert revos basic, 16-poles, rated current: 16A, rated voltage:690V, with tin-plated contacts

70.410.1640.0	Male insert BAS STS 16 2,5 64	Male insert revos basic, 16-poles, rated current: 16A, rated voltage: 690V, with tin-plated contacts
72.300.2453.0	Female insert BAS BUS 24 2,5 69	Female insert revos basic, 24-poles, rated current: 16A, rated voltage:690V, with tin-plated contacts
72.310.2453.0	Male insert BAS STS 24 2,5 69	Male insert revos basic, 24-poles, rated current: 16A, rated voltage: 690V, with tin-plated contacts
72.700.2458.0	Female insert BAS BUC 24 69	Female insert revos basic, 24-poles, rated current: 16A, rated voltage:690V, with tin-plated contacts
72.710.2458.0	Male insert BAS STC 24 69	Male insert revos basic, 24-poles, rated current: 16A, rated voltage: 690V, with tin-plated contacts
73.800.0853.0	Female insert DD BUC 108 1,5 25	revos DD 108 pole + ground, female insert, 250V/10A, crimp connection
73.810.0853.0	Male insert DD STC 108 1,5 25	revos DD 108 pole + ground, male insert 250V/10A, crimp connection
73.700.6458.0	Female insert HD BUC 64 25	revos BASIC HD 64 pole + ground, female insert 250V/10A, crimp connection
73.710.6458.0	Male insert HD STC 64 25	revos HD 64 pole + ground, male insert 250V/10A, crimp connection
70.405.2453.0	Female insert BAS BUP 24 2,5 50 AG	Female insert revos basic, 24-poles, rated current: 16A, rated voltage:500V, with silver-plated contacts
70.415.2453.0	Male insert BAS STP 24 2,5 50 AG	Male insert revos basic, 24-poles, rated current: 16A, rated voltage: 500V, with silver-plated contacts
72.206.1253.0	Female insert POW BUS 4/8 NL BB AG	
72.216.1253.0	Male insert POW STS 4/8 NL BB AG	

These dimensions will be especially checked at delivery  
 Only inspection dimensions  
 With /E marked dimensions are only valid for internal use

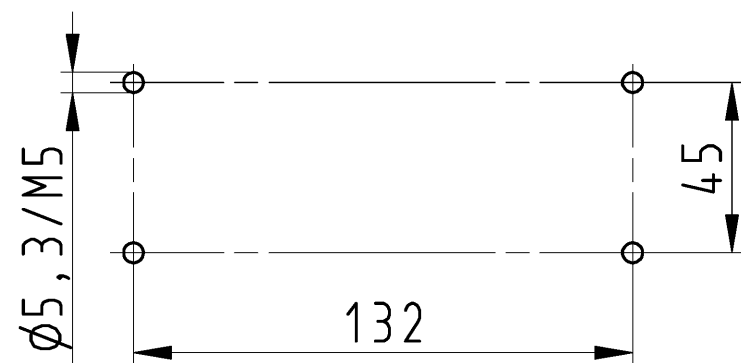
Diese Maße werden bei Abnahme besonders geprüft  
 Ausschließlich Prüfmaße  
 Mit /E gekennzeichnete Maße sind nur für interne Zwecke gültig



Varianten/Variants



73.341.6435.1	BAS GUT GG 24H M32 M25 A1	Gewindebohrung /Thread hole	X
73.341.6435.0	BAS GUT GG 24H M32 M25 A0	Kabelverschraubung(KV), IP54 /Cable gland(CG), IP54	
Bestellnummer /Order number	Typ /Type	Varianten /Variants	dar- gestellt /drawn
Weitere Daten siehe KATALOG oder eKatalog. Additional data see CATALOG or eCatalog.		www.wieland-electric.com eshop.wieland-electric.com	



Bohrbild /Cut out

Tolerierung Size ISO 14405/Tolerance system Size ISO 14405. (This ISO-standard describes the envelope principle. According to the envelope principle the deviations of form and parallelism are limited by the size tolerances).		ja/yes <input checked="" type="checkbox"/> Stoffverbots- und Deklarationsliste nach WN 5020.010 ist einzuhalten. Conformity with Wieland document WN 5020.010 e (list of prohibited / declarable hazardous substances) to be declared!	
Freitoleranz nach DIN ISO 2768 - m General tolerance		CAD - Zeichnung, keine manuellen Änderungen CAD - drawing, no manual modifications allowed	1.Verwendung: First Use: -
Blatt: 1 von 1 Sheet: of 1		Zeichnung Nr./Drawing No. Index	
Werkstoff/Material Aluminium beschichtet/ coated grau/ grey		2014 Tag/Date gezeichnet drawn 25.08. Treschan	T 73.341.6435.0 13K
Maßstab/Scale 1:2		geprüft checked - -	Maße in mm/Dimensions are in mm
Vol. mm <sup>3</sup> Of l./Surf. mm <sup>2</sup>		Ersatz für/Replacement for: -	
www.wieland-electric.com		Type revos BASIC	Benennung/Title GEHAEUSEUNTERTEIL Baugröße 24H-Kabelabgang 1x M25/M32-links housing size 24H-cable outlet 1x M25/M32-left
Index	Datum / Blatt Date / Sheet		
Änderung/Revision			

Weitergabe sowie Vervielfältigung dieses Dokuments, Verwertung und Mitteilung seines Inhalts sind verboten, soweit nicht ausdrücklich gestattet.  
 The reproduction, distribution and utilization of this document as well as the communication of its contents to others without express authorization is prohibited.