

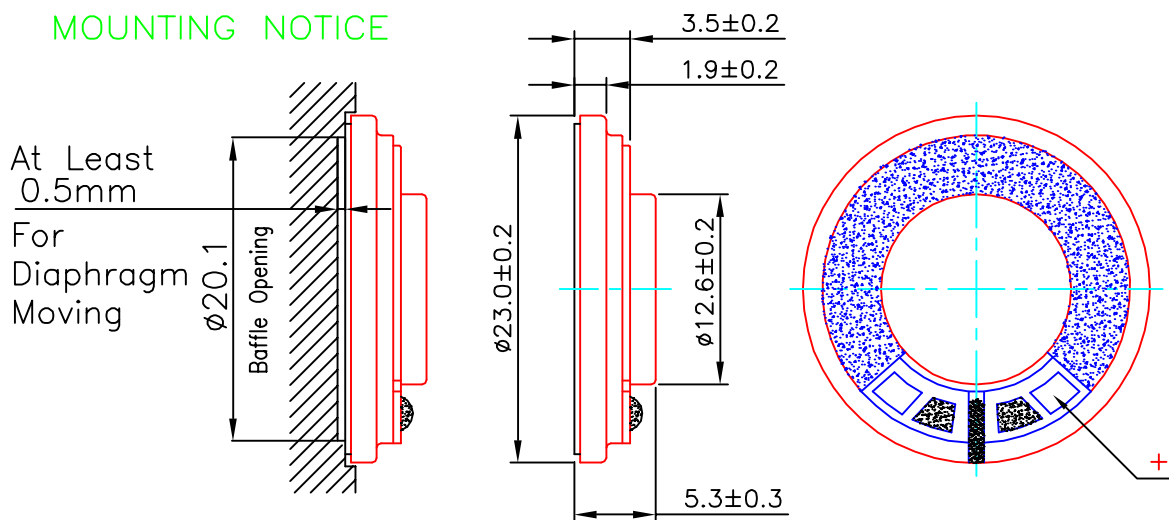
VECO VANSONIC ENTERPRISE CO.,LTD.

8F.,No.7,Lane 16, Sec.2, Szechwan Road, Panchiao, Taipei Hsien, TAIWAN.

TEL: +866-2-29626335 FAX: +866-2-29625220 E-MAIL: VANSONIC@MS4.HINET.NET

1.	MODEL:	23CR08FH- 38ND(Black Mylar-38NT(Clear Mylar)			
2.	Dimension	Outer Diameter	$\phi 23$ mm.	Baffle Opening	$\phi 20.1$ mm.
		Height	Refer to Drawing	Weight	4.0 Grams.
3.	Magnet	Materials	Rare Earth	Size	$\phi 9.5 \times 1.5$ mm.
4.	Nominal Impedance	8	$\pm 15\%$	At	1500 Hz.
5.	Power Rating	Normal	200 mW.	Maximum	400 mW.
6.	Lowest Resonant Frequency	670	$\pm 20\%$		Hz.
7.	Output Sound Pressure Lever (S.P.L.)		81	± 3 db / 0.2Watt . 0.5 Meter.	
		Average at	800, 1000, 1200, 1500,		Hz.
8.	Frequency Range	400	~ 20000 Hz.	Average S P L -	10 db.
9.	Distortion	10 %	Maximum At	1000 Hz.	200 mW.
10.	Abnormal Sound Test	Must be Normal Tested By		1.26 Volts.	Sine Wave.
11.	Load Test	White Noise with Weighted Filter		1.26 Volts.(RMS)	24 Hrs.
12.	Polarity	Diaphragm shall move Forward when Apply a Positive DC.			
		Current to the "+" or "Marked" Terminal.			

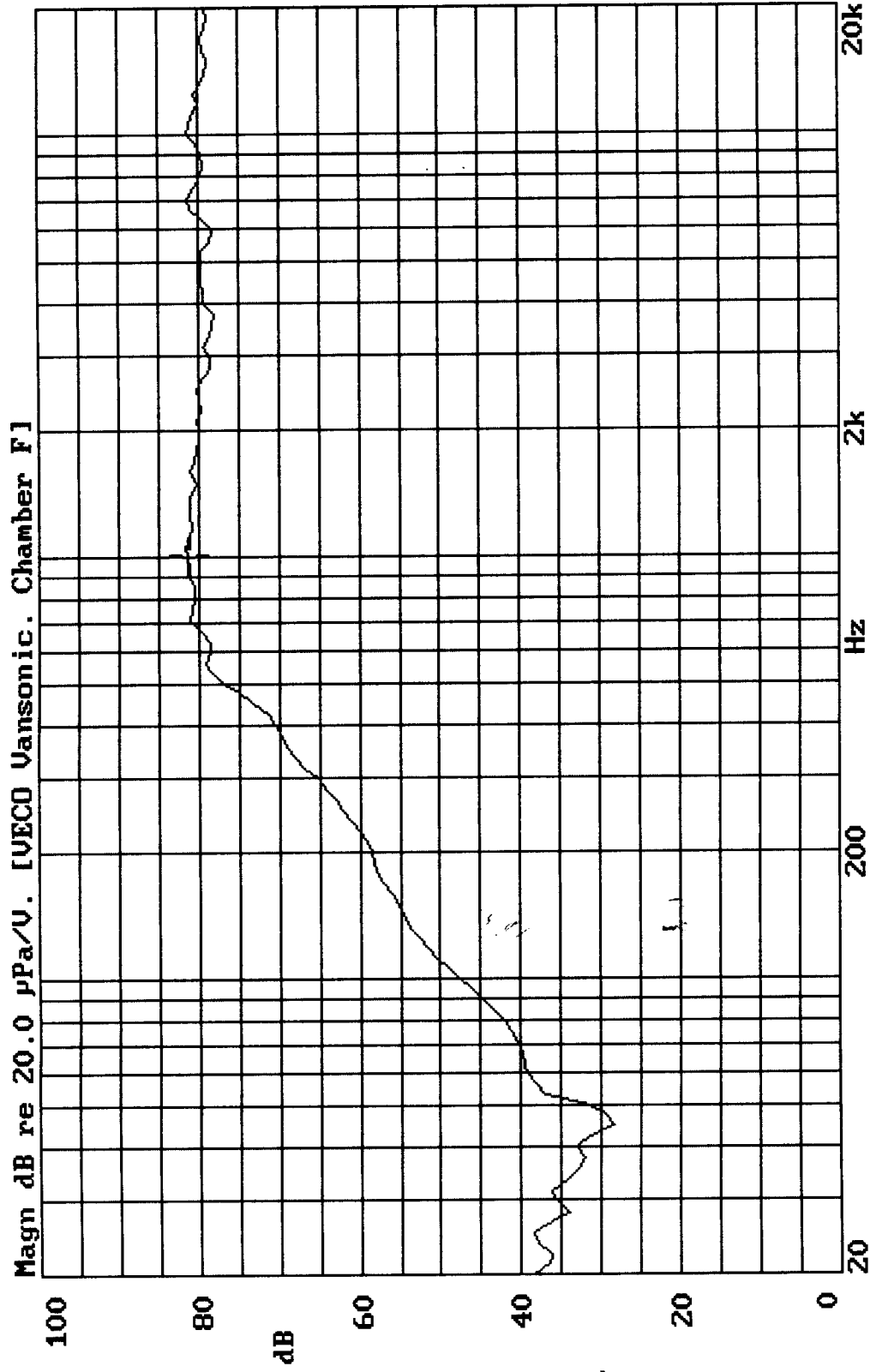
MOUNTING NOTICE



Unit : mm

Housing Material : METAL

P23CR08FH-38ND VOL:1.26V(0.2W) DIS:0.5M VANSONIC
X:1.0000kHz *Y:81.45dB ZA:Live Curve SSR Fund.



03-NOV-2004 16:03:06

Mode: SSR

