

## Data sheet

Commercial Art.No.: 91.922.3453.0

Connector GST15i2S S1 ZR1 W PB01

GST15i2 connector, 2 pole, male, with screw connection (tall strain relief), for cable diameters 6-7.7 mm, coding not SELV, 6 A, coding color pastel blue, strain relief color white



Commercial Art.No.	91.922.3453.0
EAN	4015573916135
Order Unit	1

Certificates / Approvals



## Technical data

### General

Rated current	6 A
Rated voltage	250 V
Rated impulse voltage	4 kV
strain relief	yes
Pollution degree	2
Mechanical coding	yes
Lockable	self-locking (unlocking by tool)
Color of coding/ contact carrier	pastel blue
Marking of poles	D1, D2
Color of housing inclusive strain relief	white

### Connection Data

Cable diameter max.	7.7 mm
Cable diameter min.	6 mm
Connection cross section solid mm <sup>2</sup> max.	2.5 mm <sup>2</sup>
Connection cross section solid mm <sup>2</sup> min.	0.5 mm <sup>2</sup>
Connection cross section fine stranded mm <sup>2</sup> max.	2.5 mm <sup>2</sup>
Connection cross section fine stranded mm <sup>2</sup> min.	0.5 mm <sup>2</sup>
Terminations per pole	1
sheath strip length	19 mm
Wire strip length	8 mm

### Model

Model	male
Connection type	screw connection
Degree of protection (IP)	IP20

**Material**

Housing material	Polyamide
halogen free	yes
Contact material	CuZn
Fire load	0.048 kWh
Insulation components continuous temperature	100 °C
Surface finish	Silver-plated

**Dimensions**

Length	53.2 mm
Width	17.7 mm
Height	13.8 mm

**Classification**

ECLASS 11	
ECLASS 8.1	27440605
ETIM 7.0	EC002560
ETIM 6.0	EC002560
ETIM 5.0	EC002560
ETIM 4.0	EC002560

**Product compliance**

ROHS conformity status	Compliant/Exempted
ROHS exceptions	III-6(c)
REACH-SVHC conformity status	Duty-To-Declare
REACH-SVHC substances	Lead
REACH-SVHC CAS numbers	7439-92-1

These dimensions will be especially checked at delivery  
 Only inspection dimensions  
 With /E marked dimensions are only valid for internal use

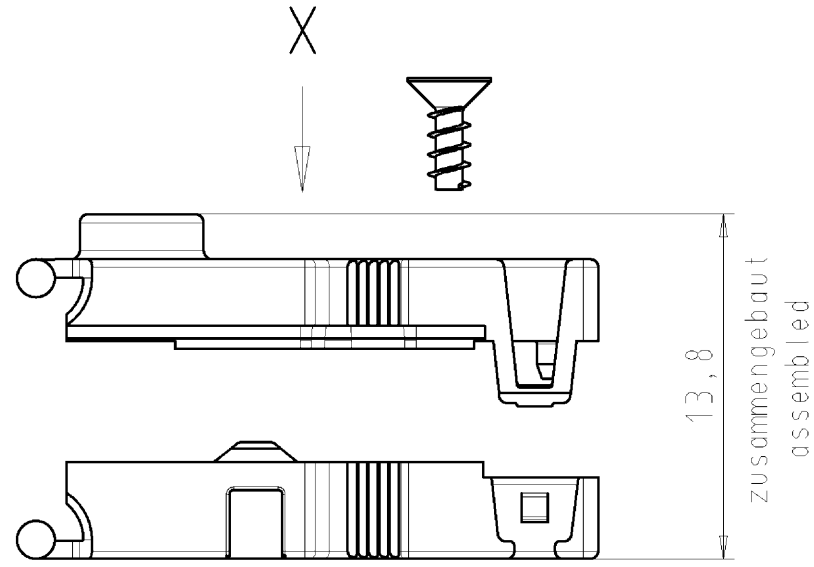
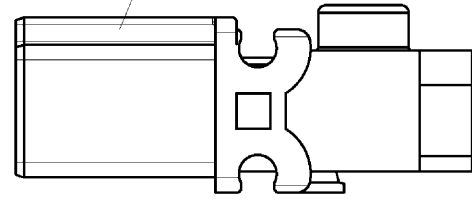
Diese Maße werden bei Abnahme besonders geprüft  
 Ausschließliche Prüfmaße  
 Mit /E gekennzeichnete Maße sind nur für interne Zwecke gültig

○

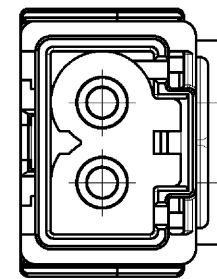
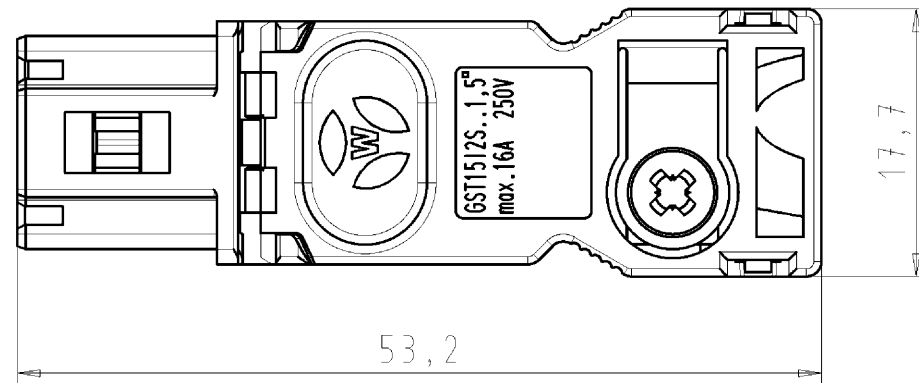
E

F

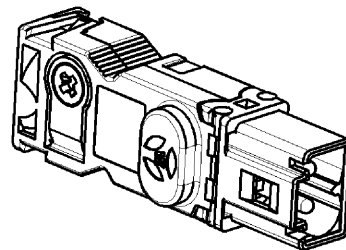
Farbe: pastellblau  
 colour: pastel blue



Ansicht in Pfeilrichtung X: montierter Zustand  
 view in arrow direction X: mounted version



M1:1



Weitere Daten siehe Katalog  
 further data see catalog

Teile-Nr. part-no.	Farbe Zugentlastung colour strain relief
91.922.3453.0	weiß, ähnl. RAL 9003 white, similar to RAL 9003
91.922.3453.1	schwarz, ähnl. RAL 9005 black, similar to RAL 9005

Tolerierung nach DIN 7167/Tolerance system acc. to DIN 7167. (This DIN-standard describes the envelope principle. According to the envelope principle the deviations of form and parallelism are limited by the size tolerances).				ja/yes <input checked="" type="checkbox"/> Stoffverbots- und Deklarationsliste nach UU-TOM-05/03 ist einzuhalten. Conformity with Wieland document UU-TOM-05/03 (list of prohibited / declarable hazardous substances) to be declared!			
Freitoleranz nach General tolerance		CAD - Zeichnung, keine manuellen Änderungen CAD - drawing, no manual modifications allowed		1. Verwendung: First Use:		Blatt: 1 von 1 Sheet: of 1	
/		Werkstoff/Material		2011 Tag/Date Name		Zeichnung Nr./Drawing No. Index	
/		Maßstab/Scale		gezeichnet drawn 12.01. Dütsch T.		T 91.922.3453.0 01K	
/		2:1		geprüft checked - -		Maße in mm/Dimensions are in mm	
/		Vol. mm <sup>3</sup> Ofl./Surf. mm <sup>2</sup>		Normgepr. Stand. check - -		Ersatz für/Replacement for: -	
/				Type		Benennung/Tittle MALE CONNECTOR WITH STRAIN RELIEF STECKERT_M_ZUGENTL	
/		Index Datum / Blatt Date / Sheet		wieland		GST1512SS1.. (Dimmen/dimming)	
/		Änderung/Revision		Elektrische Verbindungen			

Weitergabe sowie Vervielfältigung dieses Dokuments, Verwertung und Mitteilung seines Inhalts sind verboten, soweit nicht ausdrücklich gestattet.  
 The reproduction, distribution and utilization of this document as well as the communication of its contents to others without express authorization is prohibited.