

## Data sheet

Commercial Art.No.: 96.233.0434.1

Cable assembly RST20i3K1-S 25 04SW

RST20i3 connection cable male - free end, 3 pole, assembled with shrinkage tube, application 250V with PE, 20A, cable type H07RN-F, length 0.4m, cross section 2.5mm<sup>2</sup>, coding color black



Commercial Art.No.	96.233.0434.1
EAN	4015573858312
Order Unit	1

Certificates / Approvals



## Technical data

### General

Rated current	20 A
Rated voltage	250 V
Rated impulse voltage	4 kV
Pollution degree	3
Lockable	self-locking (unlocking by tool)
Color of coding/ contact carrier	black
Marking of poles	L, N, PE
Color of housing inclusive strain relief	black

### Model

type of construction	Shrinkage tube
Connection type	Crimp
Nominal cross section conductor	2.5 mm <sup>2</sup>
Degree of protection (IP)	IP66/68 (3m;2h)
Wire strip length	9 mm
sheath strip length	35 mm
Preparation of conductor ends	ultrasonically compressed wire ends
Cable type	H07RN-F
Cable color	black
Cable diameter min.	11.3 mm
Cable diameter max.	11.9 mm
Version of cable	male - free end
Type of cord set	connection cable

Version cable end 1	free end
Version cable end 2	male
Shielded	No

**Material**

Surface finish	Silver-plated
halogen free	No
Continuous temperature of cable	60 °C
Insulation components continuous temperature	100 °C
Fire load	0 kWh

**Dimensions**

Total length	0.4 m
--------------	-------

**Classification**

ECLASS 11	
ECLASS 8.1	27440604
ETIM 7.0	EC002587
ETIM 6.0	EC002587
ETIM 5.0	EC002587
ETIM 4.0	EC002587

**Note**

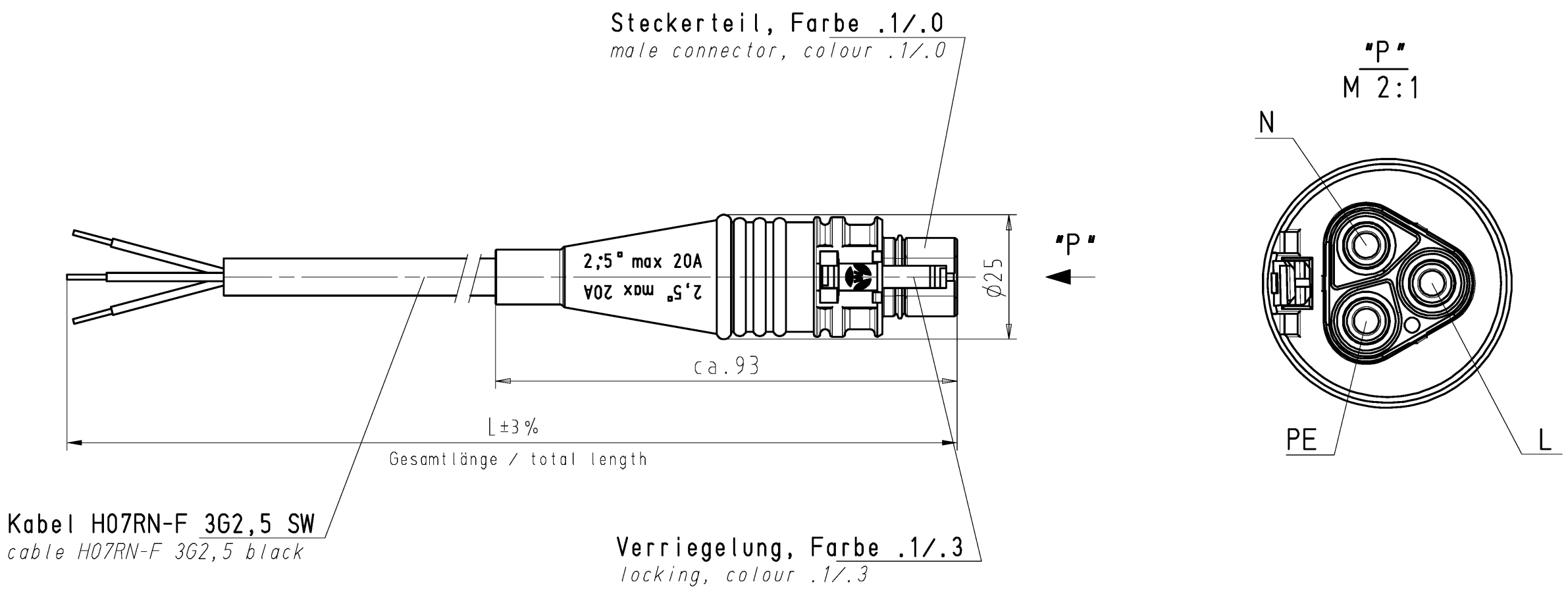
Note	The total length may vary up to + / - 3 %.
------	--

**Product compliance**

ROHS conformity status	Compliant/Exempted
ROHS exceptions	III-6(c)
REACH-SVHC conformity status	Duty-To-Declare
REACH-SVHC substances	Lead
REACH-SVHC CAS numbers	7439-92-1

These dimensions will be especially checked at delivery  
Only inspection dimensions  
With /E marked dimensions are only valid for internal use

Diese Maße werden bei Abnahme besonders geprüft  
Ausschließlich Prüfmaße  
Mit /E gekennzeichnete Maße sind nur für interne Zwecke gültig



Farbe/colour	
schwarz/black	.1
lichtgrau/light grey	.0
betongrau/concrete grey	.3

Teile - Nr. part - no.	L	Beispiel (Farbe: schwarz, lichtgrau) exampel (colour: black, light grey)	Typ type
96.233.XX34.1	XX in dm-Schritten	96.233.1034.1 = 10dm/L= 1000mm	RST2013K1-S 25 10SW
96.233.XX34.0	XX in dm-steps	96.233.1034.0	RST2013K1-S 25 10GL
U6.233.XX34.1	XX in m-Schritten	U6.233.1234.1 = 12 m/L=12000mm	RST2013K1-S 25 X12SW
U6.233.XX34.0	XX in m-steps	U6.233.1234.0	RST2013K1-S 25 X12GL

Tolerierung Size ISO 14405/Tolerance system Size ISO 14405.  
(This ISO-standard describes the envelope principle. According to the envelope principle the deviations of form and parallelism are limited by the size tolerances).  
ja/yes  Stoffverbots- und Deklarationsliste nach WN 5020.010 ist einzuhalten.  
(Conformity with Wieland document WN 5020.010 e (list of prohibited/declarable hazardous substances) to be declared!)

Freitoleranz nach General tolerance CAD - Zeichnung, keine manuellen Änderungen CAD - drawing, no manual modifications allowed 1.Verwendung: First Use: Blatt: 1 von 1 Sheet: of 1

Werkstoff/Material	2014 Tag/Date	Name	T	Zeichnung Nr./Drawing No.	Index
Maßstab/Scale	gezeichnet/drawn 21.10.	Treschar			
Normgepr. Stand. check	geprüft/checked				

Vol. mm³	Ofl./Surf. mm²	Ersatz für/Replacement for: -
		Type
www.wieland-electric.com		Benennung/Title
Änderung/Revision		<b>KONFEKT_LEITUNG</b> Stecker-fr. Ende, Crimpausführung K1 250V, 2,5qmm pre-assembled cable, male-free end, crimpversion

Weitere Daten siehe Katalog  
further data see catalog

Weitergabe sowie Vervielfältigung dieses Dokuments, Verwertung und Mitteilung seines Inhalts sind verboten, soweit nicht ausdrücklich gestattet.  
The reproduction, distribution and utilization of this document as well as the communication of its contents to others without express authorization is prohibited.