

# SPECIFICATION FOR APPROVAL

CUSTOMER \_\_\_\_\_

PART NAME Aluminum Electrolytic Capacitors  
\_\_\_\_\_

SPEC TS13DR CD294 220uF 400V +/-20% 25x40mm P:10mm Bulk RoHS\*  
\_\_\_\_\_

PART NO \_\_\_\_\_

DATE 2024-02-01  
\_\_\_\_\_  
\_\_\_\_\_

CUSTOMER APPROVE

DRAWING		
PREPARED	CHECKED	APPROVED

***Suntan***® Technology Company Limited

Unit H, 4/F., Dormind Industrial Building , 13 Yip Fung Street, Fanling, N. T., Hong Kong.

http:// [www.suntan.com.hk](http://www.suntan.com.hk) E-mail : [info@suntan.com.hk](mailto:info@suntan.com.hk)

Tel : (852) 8202 8782

Fax : (852) 8208 6246

## STANDARD RATINGS

capacitance	Voltage	tolerance	dimension	Picth	Rated Ripple Current 105°C, 120Hz(Arms)	2000H at 105C
(μF)	(V)	±(%)	(mm)	+/-0.1		
220	400	20	25*40	10	1.05	

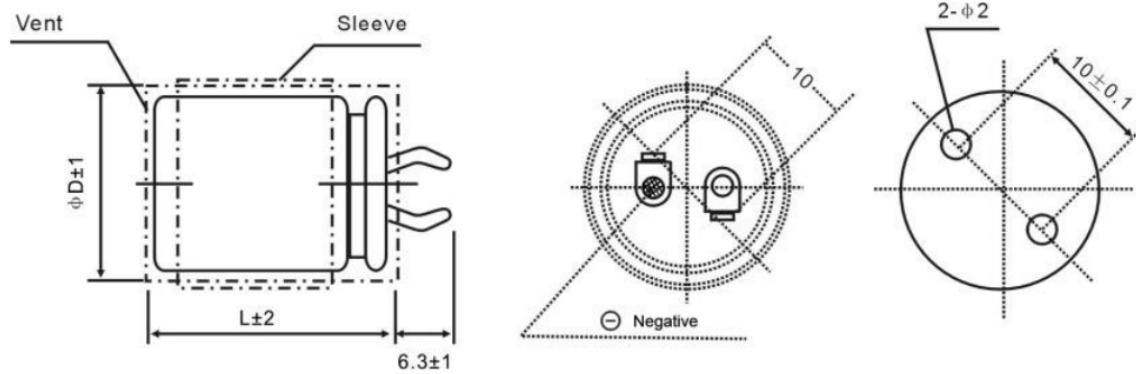
### Frequency coefficient

Frequency(Hz)	50	120	1K	10K	20K
Rated Voltage(V)					
400	0.9	1	1.20	1.50	1.55

### Temperature coefficient:

Temperature(°C)	+40	+55	+70	+85	+105
Factor	2.7	2.5	2.1	1.7	1

### Diagram of dimensions(mm)



## SPECIFICATIONS

Items	Performance Characteristics								
Operating Temperature Range (°C)	-25°C ~ +105°C								
Voltage Range (V)	400V								
Capacitance Range (uF)	220μF								
Capacitance Tolerance (25°C, 120Hz)	±20%								
Leakage Current (μA)	0.01CV or 1.5mA whichever is smaller. (at 25°C, after 5 minutes) C:Nominal capacitance (μF) V: Rated Voltage (V)								
Dissipation Factor (25°C, 120Hz)	<table border="1"> <tr> <td>Rated Voltage (V)</td> <td>400</td> </tr> <tr> <td>Tan δ (max)</td> <td>0.15</td> </tr> </table>	Rated Voltage (V)	400	Tan δ (max)	0.15				
Rated Voltage (V)	400								
Tan δ (max)	0.15								
Temperature Stability (120Hz)	<table border="1"> <tr> <td colspan="2">Rated Voltage (V)</td> <td>400</td> </tr> <tr> <td rowspan="2">Impedance Ratio</td> <td>Z-25°C/Z+20°C</td> <td>4</td> </tr> <tr> <td>Z-40°C/Z+20°C</td> <td>--</td> </tr> </table>	Rated Voltage (V)		400	Impedance Ratio	Z-25°C/Z+20°C	4	Z-40°C/Z+20°C	--
Rated Voltage (V)		400							
Impedance Ratio	Z-25°C/Z+20°C	4							
	Z-40°C/Z+20°C	--							
Load Life (+105°C)	<table border="1"> <tr> <td>Time</td> <td>2000hours</td> </tr> <tr> <td>Leakage Current</td> <td>Not more than the specified value</td> </tr> <tr> <td>Capacitance Change</td> <td>Within ± 20% of the initial value</td> </tr> <tr> <td>Dissipation Factor</td> <td>Not more than 200% of the specified value</td> </tr> </table>	Time	2000hours	Leakage Current	Not more than the specified value	Capacitance Change	Within ± 20% of the initial value	Dissipation Factor	Not more than 200% of the specified value
Time	2000hours								
Leakage Current	Not more than the specified value								
Capacitance Change	Within ± 20% of the initial value								
Dissipation Factor	Not more than 200% of the specified value								
Shelf Life (+105°C)	500hrs, No voltage applied. After test: U <sub>R</sub> to be applied for 60 minutes, 24 to 48 hours before measurement.								

**Suntan® Technology Company Limited**

Unit H, 4/F., Dormind Industrial Building , 13 Yip Fung Street, Fanling, N. T., Hong Kong.

http:// www.suntan.com.hk E-mail : info@suntan.com.hk

Tel : (852) 8202 8782

Fax : (852) 8208 6246