



# 宁波速普电子有限公司

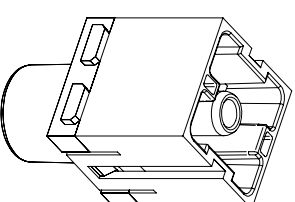
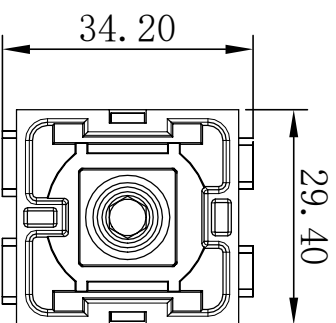
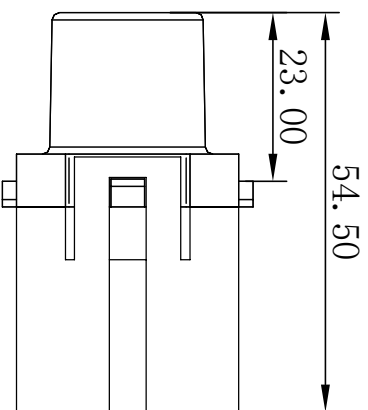
NINGBO SUPU ELECTRONICS.CO.,LTD

## 产品规格书

Product Specification

SMK-001.X				
mm <sup>2</sup>	25	35	50	70
N.m	8	8	9	10

SMK-001.X	25	35	50	70
接插体/Inserts	200A	1000V	3	8KV
额定电流/Rated current	200A	1000V	3	8KV
额定电压/Rated voltage	200A	1000V	3	8KV
污染等级/Pollution degree	200A	1000V	3	8KV
额定脉冲耐受电压/Rated surge voltage	200A	1000V	3	8KV
绝缘电阻/Insulation resistance	200A	1000V	3	8KV
材料/Material	200A	1000V	3	8KV
使用环境温度/Usage ambient temperature	200A	1000V	3	8KV
阻燃等级/Flame retardant rating	200A	1000V	3	8KV
可插拔次数/Mechanical working life	200A	1000V	3	8KV
UL/CSA额定电压/Rated voltage acc. to UL/CSA	200A	1000V	3	8KV
接插针/Contacts	200A	1000V	3	8KV
材料/Material	200A	1000V	3	8KV
镀层/Coating	200A	1000V	3	8KV
接触电阻/Contact	200A	1000V	3	8KV
接线形式/Connection	200A	1000V	3	8KV
导线规格/Wire gauge	200A	1000V	3	8KV
拧紧力矩/Tightening torque	200A	1000V	3	8KV
剥线长度/Stripping length	200A	1000V	3	8KV



单位/Unit	mm	Rev. 01	订货号 PART NUMBER	SMK-001.1-M
---------	----	---------	--------------------	-------------