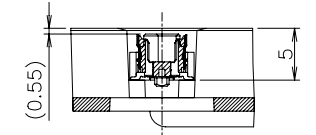
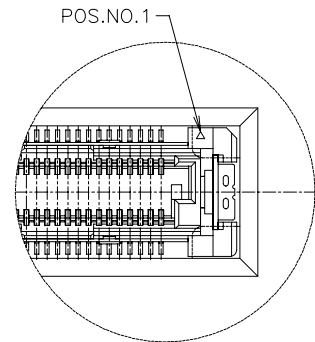
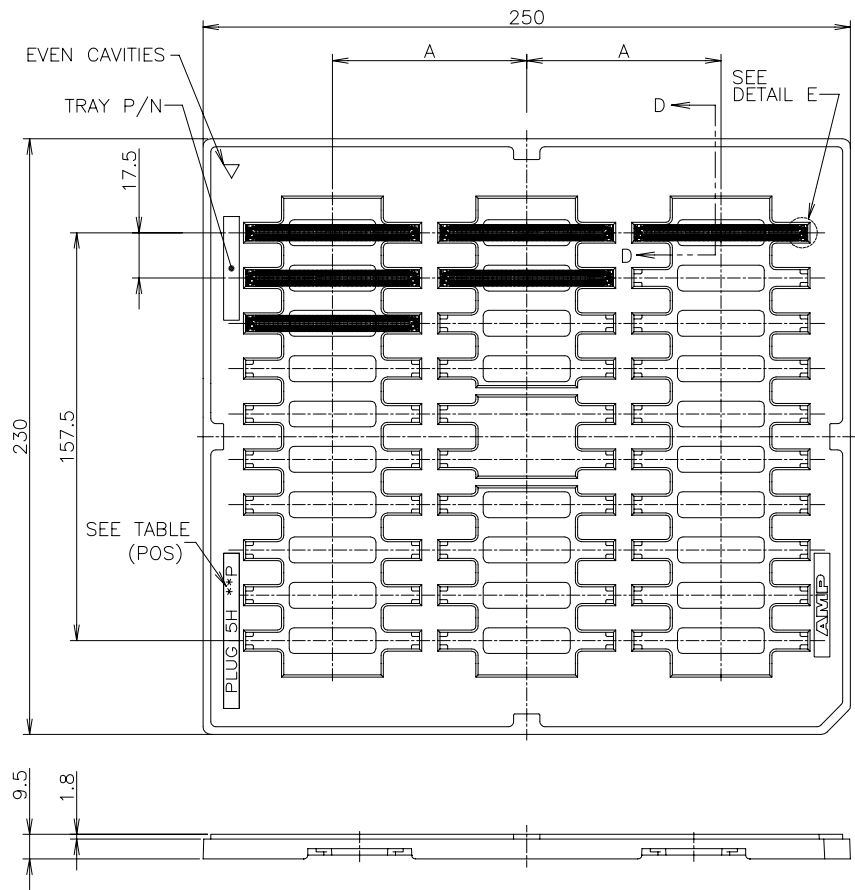


REVISIONS					
P	LTR	DESCRIPTION	DATE	DWN	APVD
	D	REVISED PER ECO-20-000559	13DEC2019	A.L	H.L



**WITHOUT
CAP**

THIS DRAWING IS A CONTROLLED DOCUMENT.

DIMENSIONS: MM		TOLERANCES UNLESS OTHERWISE SPECIFIED:	
		0 PLC	± 0.25
		1 PLC	± 0.15
		2 PLC	± 0.10
		3 PLC	± 0.05
		4 PLC	± 0.0250
		ANGLES	± 3'
MATERIAL	FINISH	WEIGHT	

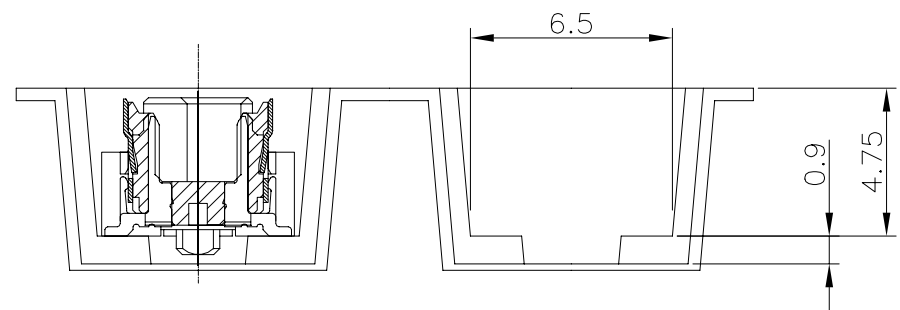
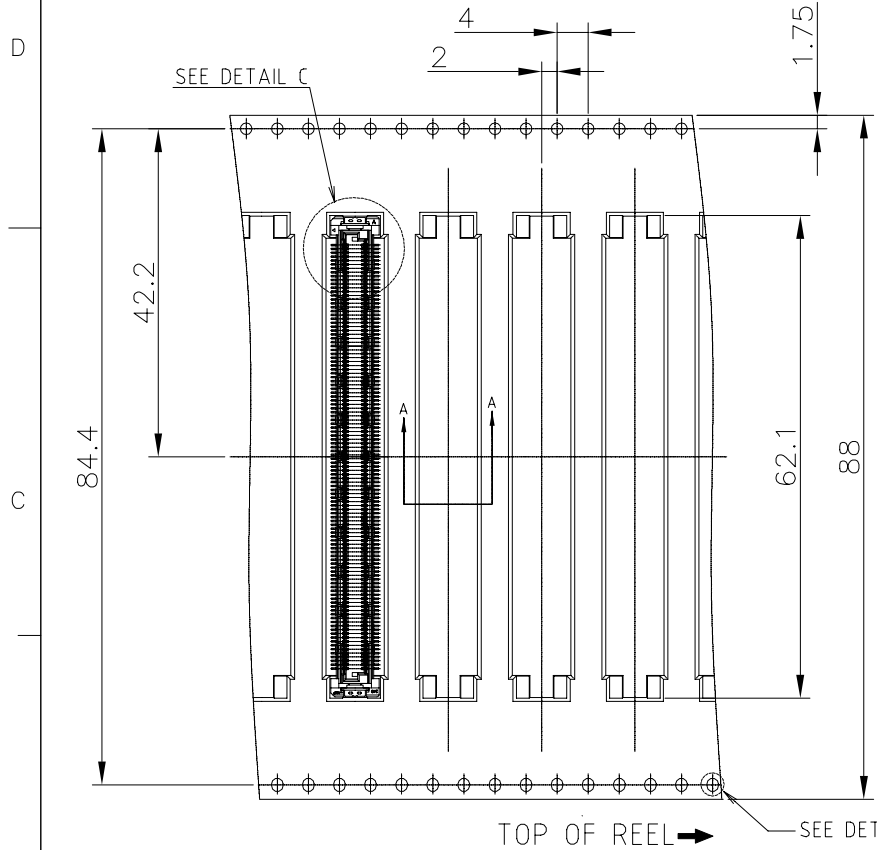
DWN	S. CHIEN	18MAY05
CHK	T. FUTATSUGI	18MAY05
APVD	W. KODAMA	18MAY05
PRODUCT SPEC	108-5560	
APPLICATION SPEC		
WEIGHT		
CUSTOMER DRAWING		

	NO	3	30	75	220	9-1827253-6
	NO	3	30	75	220	3-1827253-6
FINISH	SEALANT	ROW	QTY	A	POS.	PART NO.

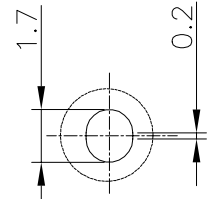
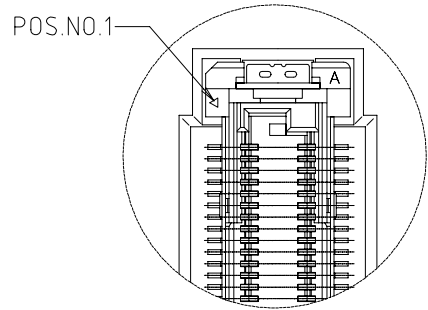
TE TE Connectivity Ltd.

NAME					
HARD TRAY PACKAGING					
FH 0.5 BTB CONNECTOR 220POS					
PLUG 5H WITH GROUND PLATE					
SIZE	CAGE CODE	DRAWING NO	RESTRICTED TO		
A3	00779	G=1827253			
SCALE 1:2			SHEET 1 OF 5	REV D	

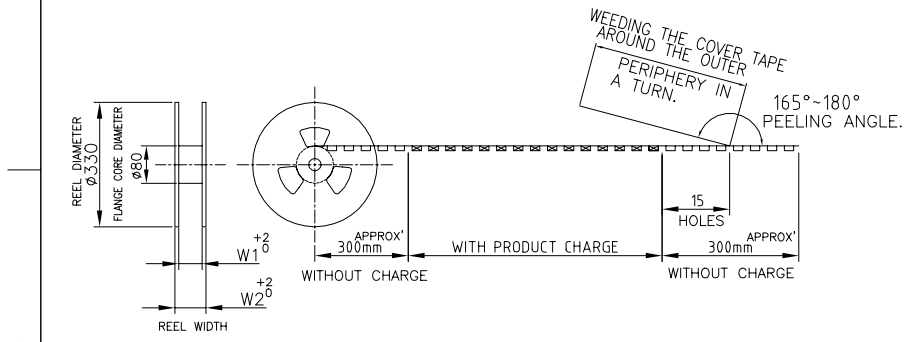
REVISIONS						
P	LTR	DESCRIPTION	DATE	DWN	APVD	
-	-	SEE SHEET 1	-	-	-	-



SECTION A-A
SCALE 4:1



DETAIL C
(SCALE 4:1)



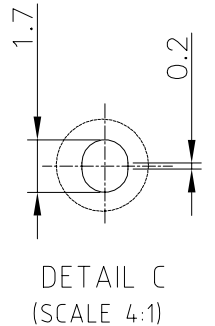
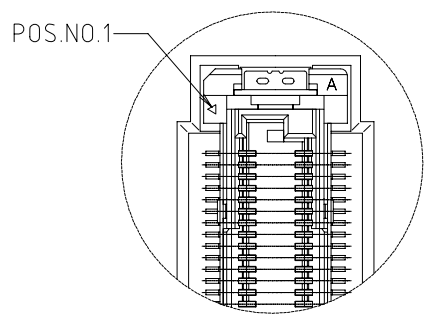
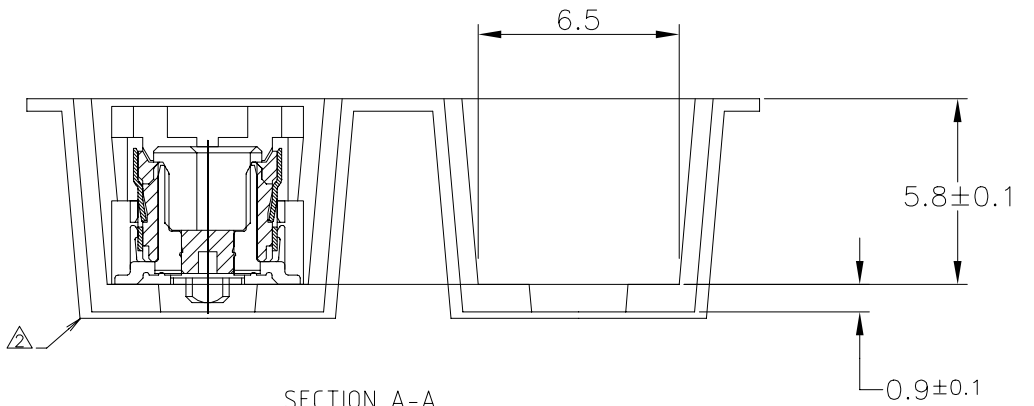
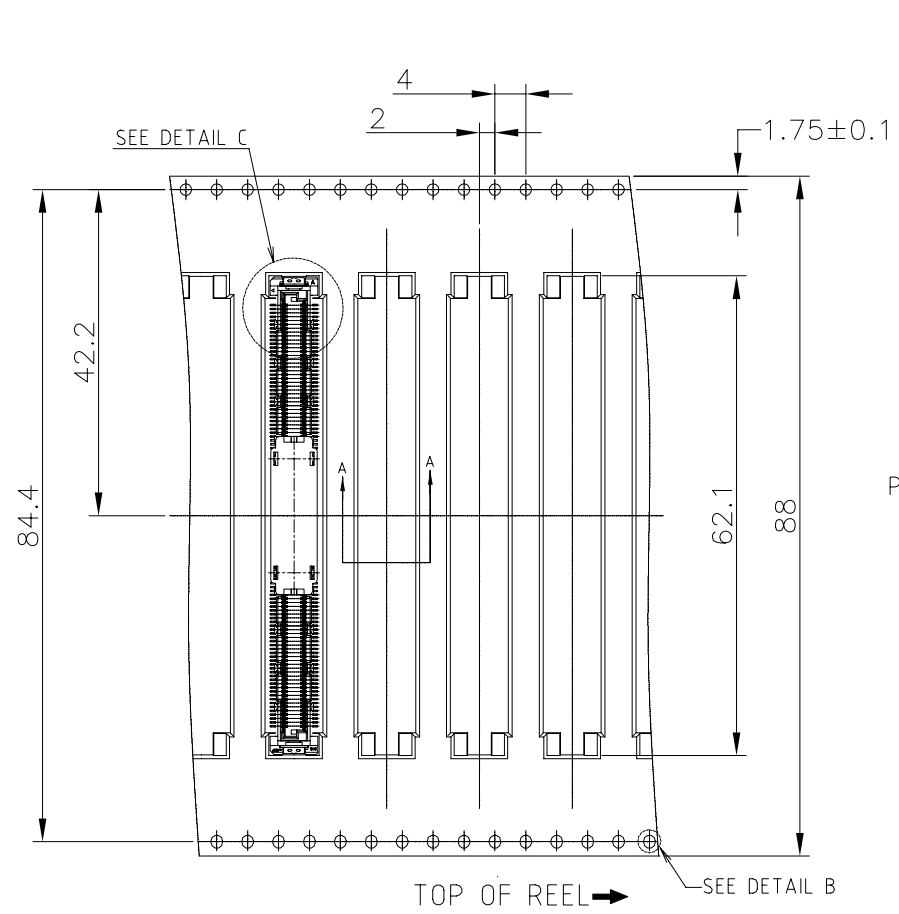
WITHOUT CAP

△	NO	93.5	89.5	800	220	9-1827253-7
△	NO	93.5	89.5	800	220	4-1827253-6
FINISH	SEALANT SIF-200B	W2	W1	QTY/ REEL	POS	TAPING P/N

THIS DRAWING IS A CONTROLLED DOCUMENT.

DWN	S. CHIEN	18MAY05	TE Connectivity Ltd.
CHK	T. FUTATSUGI	18MAY05	
APVD	W. KODAMA	18MAY05	
PRODUCT SPEC			
APPLICATION SPEC			ON TAPING EMBOSS FH 0.5 BTB CONNECTOR 220POS PLUG 5H WITH GROUND PLATE
MATERIAL	FINISH		SIZE A3 CAGE CODE 00779 C=1827253 DRAWING NO. RESTRICTED TO
CUSTOMER DRAWING			SCALE 1:2 SHEET 2 OF 5 REV D

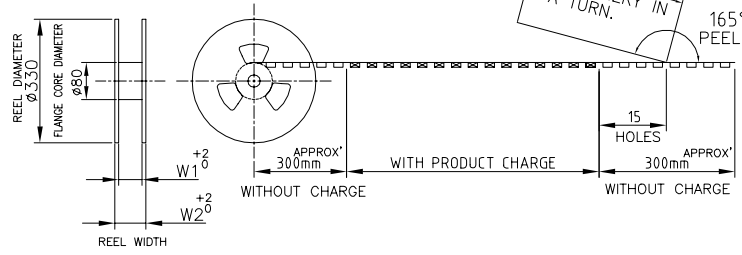
REVISIONS					
P	LTR	DESCRIPTION	DATE	DWN	APVD
-	-	SEE SHEET 1	-	-	-



WITH CAP

△	BLACK	NO	93.5	89.5	700	220	9-1827253-9
△	NATURE	NO	93.5	89.5	700	220	9-1827253-8
△	NATURE	NO	93.5	89.5	700	220	4-1827253-8
FINISH	CAP COLOR	SEALANT SIF-200B	W2	W1	QTY/ REEL	POS	TAPING P/N

WEEDING THE COVER TAPE AROUND THE OUTER PERIPHERY IN A TURN.
165°~180° PEELING ANGLE.



THIS DRAWING IS A CONTROLLED DOCUMENT.

DWN	S. CHIEN	18MAY05
CHK	T. FUTATSUGI	18MAY05
APVD	W. KODAMA	18MAY05
PRODUCT SPEC		
APPLICATION SPEC		
WEIGHT		
CUSTOMER DRAWING		

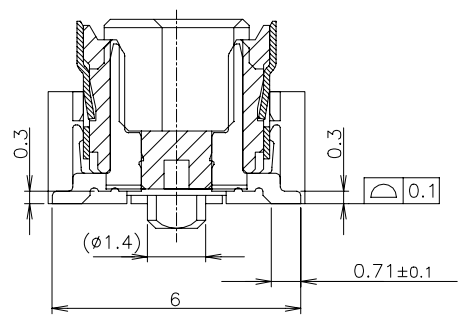
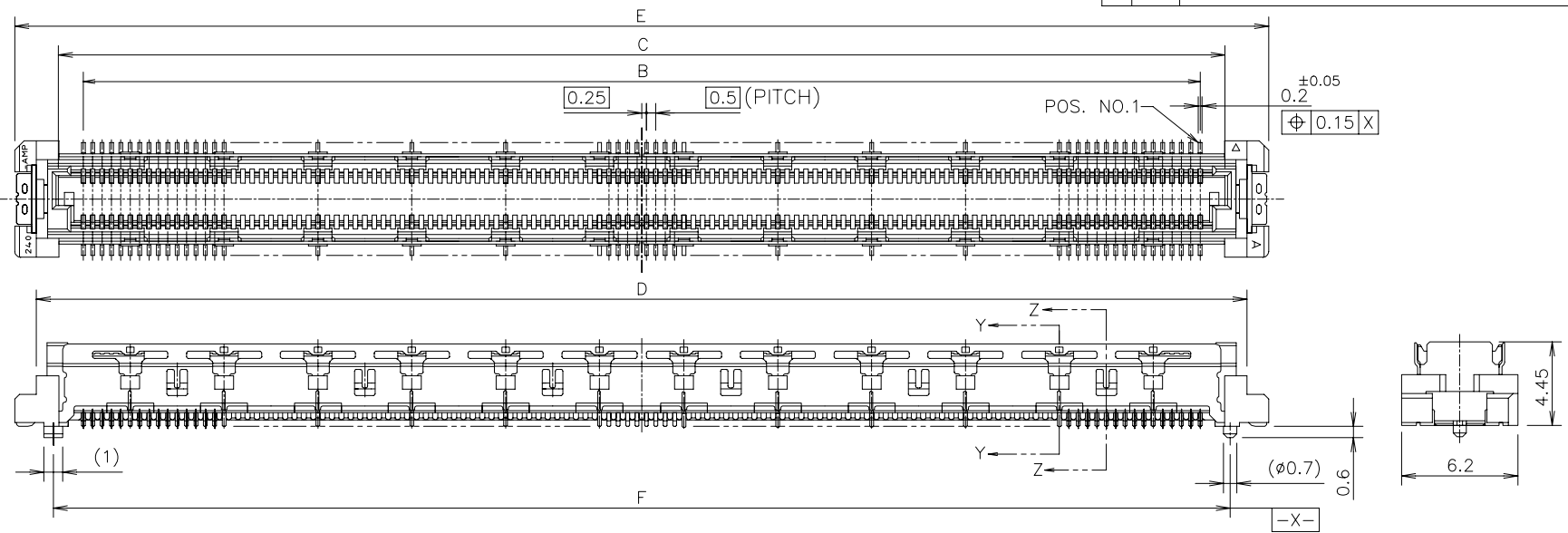
TE Connectivity Ltd.

ON TAPING EMBOSS
FH 0.5 BTB CONNECTOR 220POS
PLUG 5H WITH GROUND PLATE

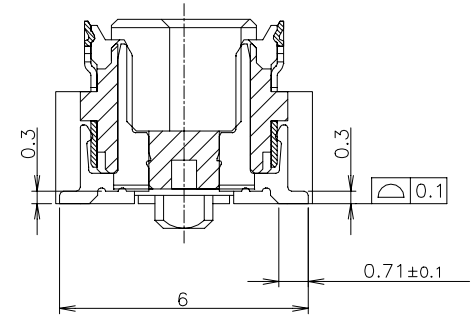
SIZE	CAGE CODE	DRAWING NO	RESTRICTED TO
A3	00779	C=1827253	-

SCALE 1:2 SHEET 3 OF 5 REV D

REVISIONS					
P	LTR	DESCRIPTION	DATE	DWN	APVD
-	-	SEE SHEET 1	-	-	-



SECT. Z-Z
(SIGNAL POSITION)
(SCALE 8:1)

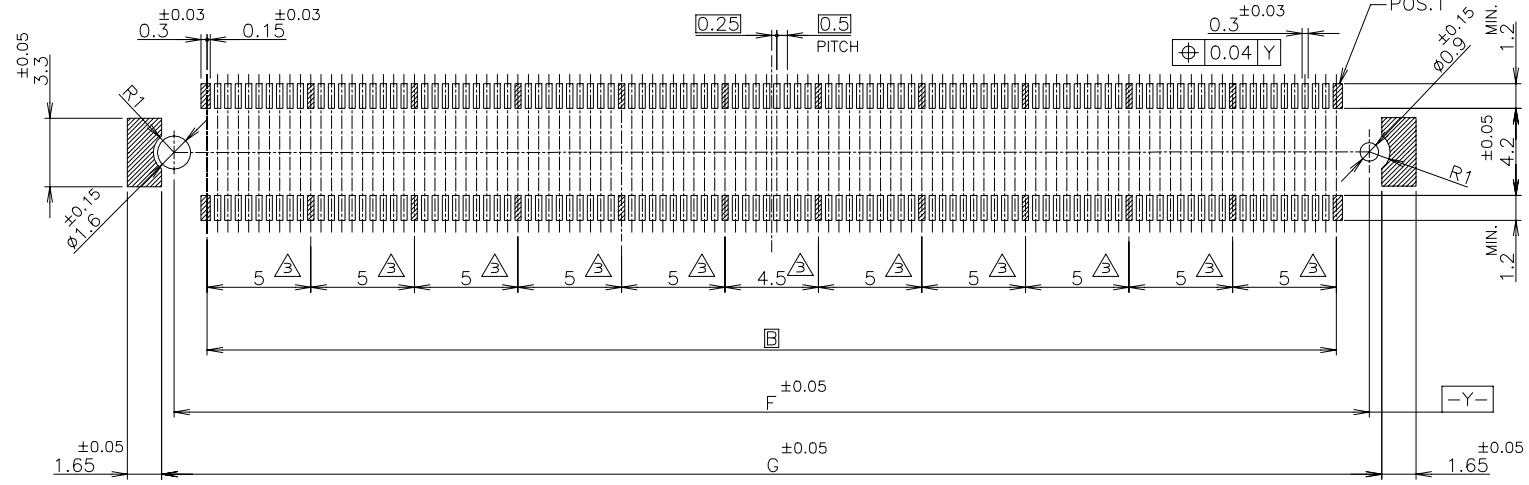


SECT. Y-Y
(GROUND POSITION)
(SCALE 8:1)

57.7	61.8	59.5	57.1	54.5	BLACK	220	9-1827253-9
57.7	61.8	59.5	57.1	54.5	BLACK	220	9-1827253-8
57.7	61.8	59.5	57.1	54.5	BLACK	220	9-1827253-7
57.7	61.8	59.5	57.1	54.5	BLACK	220	9-1827253-6
57.7	61.8	59.5	57.1	54.5	BLACK	220	4-1827253-8
57.7	61.8	59.5	57.1	54.5	BLACK	220	4-1827253-6
57.7	61.8	59.5	57.1	54.5	BLACK	220	3-1827253-6
F	E	D	C	B	CONN. COLOR	POS.	PART NO.

THIS DRAWING IS A CONTROLLED DOCUMENT.		DWN	TE Connectivity Ltd.	
		CHK		
DIMENSIONS: MM		APVD	NAME ASSEMBLY FH 0.5 BTB CONNECTOR 220POS PLUG 5H WITH GROUND PLATE	
TOLERANCES UNLESS OTHERWISE SPECIFIED: 0 PLC ± 0.25 1 PLC ± 0.15 2 PLC ± 0.10 3 PLC ± 0.05 4 PLC ± 0.0250 ANGLES ± 3°		PRODUCT SPEC		
MATERIAL		APPLICATION SPEC	SIZE	RESTRICTED TO
FINISH		WEIGHT	CAGE CODE	DRAWING NO
		CUSTOMER DRAWING	A3 00779	C=1827253
		SCALE	SHEET	REV
		4:1	4 OF 5	D

P	LTR	DESCRIPTION	DATE	DWN	APVD
-	-	SEE SHEET 1	-	-	-



REFERENCE P.C.BOARD LAYOUT OF CONNECTOR

NOTES

- △ MATERIAL ; HOUSING: HIGH TEMP THERMO PLASTIC UL94V-0
CONTACT: COPPER ALLOY
SOLDER PEG : COPPER ALLOY
- △ FINISH ; SIGNAL CONTACT : UNDER PL. Ni 0.0013mm MIN ALL OVER
CONTACT AREA 0.0002mm MIN Au PL.
SOLDERING AREA 0.00005mm MIN Au PL.
GROUND CONTACT : UNDER PL. Ni 0.0013mm MIN ALL OVER
CONTACT AREA 0.0002mm MIN Au PL.
SOLDERING AREA 0.00005mm MIN Au
- SOLDER PEG: TIN PL. 0.0001mm MIN OVER
UNDER PL. Ni OR COPPER 0.0013mm MIN ALL OVER
- △ THIS POSITION IS GROUND CIRCUIT.
- △ HIGH TEMPERATURE VERSION.
- △ FINISH ; SIGNAL CONTACT : UNDER PL. Ni 0.0013mm MIN ALL OVER
CONTACT AREA 0.00076mm MIN Au PL.
SOLDERING AREA 0.00005mm MIN Au PL.
- GROUND CONTACT : UNDER PL. Ni 0.0013mm MIN ALL OVER
CONTACT AREA 0.00076mm MIN Au PL.
SOLDERING AREA 0.00005mm MIN Au
- SOLDER PEG: TIN PL. 0.0001mm MIN OVER
UNDER PL. Ni OR COPPER 0.0013mm

59.5	220	9-1827253-9
59.5	220	9-1827253-8
59.5	220	9-1827253-7
59.5	220	9-1827253-6
59.5	220	4-1827253-8
59.5	220	4-1827253-6
59.5	220	3-1827253-6
G	POS.	PART NO.

THIS DRAWING IS A CONTROLLED DOCUMENT.		DWN	TE Connectivity Ltd.			
DIMENSIONS: MM		CHK				
		APVD	NAME ASSEMBLY FH 0.5 BTB CONNECTOR 220POS PLUG 5H WITH GROUND PLATE			
		PRODUCT SPEC				
TOLERANCES UNLESS OTHERWISE SPECIFIED:		APPLICATION SPEC	SIZE	CAGE CODE	DRAWING NO	RESTRICTED TO
0 PLC ± 0.25 1 PLC ± 0.15 2 PLC ± 0.10 3 PLC ± 0.05 4 PLC ± 0.0250 ANGLES ± 3°		WEIGHT	A3	00779	G=1827253	
MATERIAL		CUSTOMER DRAWING	SCALE	SHEET	REV	
			4:1	5 of 5	D	