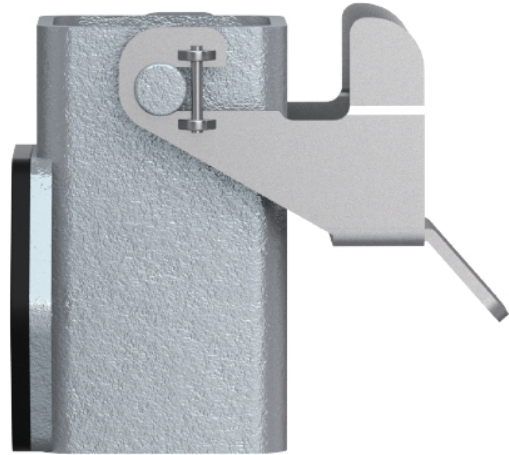


## Data sheet

Commercial Art.No.: 76.322.0736.1

Bottom MIN GUT GC 7 M20 25 Z1

Bottom-base revos MINI made of zinc, with EHV for cable connections with threaded hole low version



Commercial Art.No.	76.322.0736.1
EAN	4015573651203
Order Unit	10

## Technical data

### General

Housing material	Die-cast zinc
Color	Grey
Surface	With powder coating
Degree of protection (IP)	Other
UV resistant	yes
Inflammability class of insulation material acc. with UL94	Other
Operating temperature range min.	-40 °C
Operating temperature range max.	120 °C

### Model

Construction	3
Locking mechanism	Single locking lever
Cable entry	Below
Type of cable	Thread
With cable screw gland	No
Thread size M	20
Thread size PG	
Hinged lid	No
EMC-version	No
Length	41 mm
Width	26 mm
Height	51.5 mm

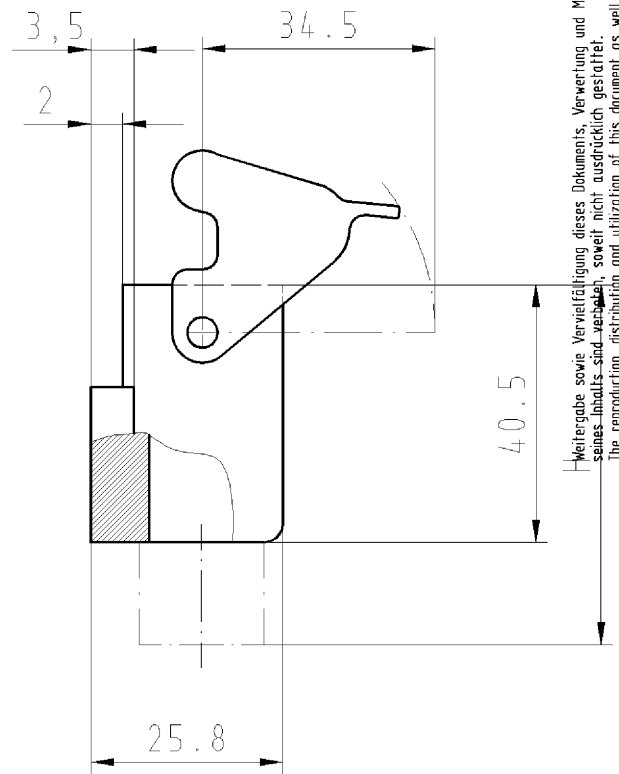
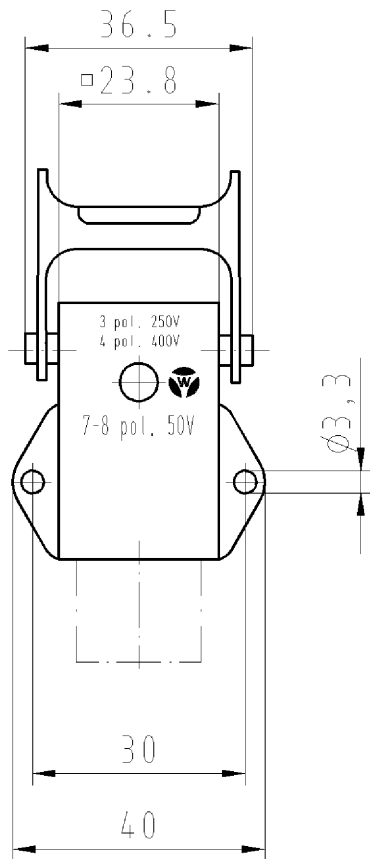
### Classification

ECLASS 11	
ECLASS 8.1	27440202

ETIM 7.0	EC000437
ETIM 6.0	EC000437
ETIM 5.0	EC000437
ETIM 4.0	EC000437
ETIM 3.0	EC000437

## Fits with

Commercial Art.No.:	Article-type description:	Description:
73.300.0353.0	Female insert MIN BUS 3 2,5 40	Female insert revos MINI, 3-poles, rated current: 10A, rated voltage: 250/400 V, with tin-plated contacts
73.310.0353.0	Male insert MIN STS 3 2,5 40	Male insert revos MINI, 3-poles, rated current: 10 A, rated voltage: 250/400 V, with tin-plated contacts
73.300.0453.0	Female insert MIN BUS 4 2,5 25 AG	Female insert revos MiNI, 4-poles, rated current: 10A, rated voltage: 400V, with silver-plated contacts
73.310.0453.0	Male insert MIN STS 4 2,5 25 AG	Male insert revos MiNI, 4-poles, rated current: 10A, rated voltage: 400V, with silver-plated contacts
73.700.0753.0	Female insert MIN BUC 7 25	Female insert revos MiNI, 7-poles, crimp connection, rated current: 10A, rated voltage: 400V, with silver-plated contacts
73.710.0753.0	Male insert MIN STC 7 25	Male insert revos MiNI, 7-poles, crimp connection, rated current: 10A, rated voltage: 400V, with silver-plated contacts
73.700.0853.0	Female insert MIN BUC 8 05	Female insert revos MiNI, 8-poles, crimp connection, rated current: 10A, rated voltage: 50V, with silver-plated contacts
73.710.0853.0	Male insert MIN STC 8 05	revos MINI 8 pole, male insert, 50V/10A, crimp connection
73.700.1253.0	Female insert MIN BUC 12 40 AG	revos MINI Q12, 12-pole + ground, female insert, IEC 690V/10A, UL 600V/10A, crimp connection
73.710.1253.0	Male insert MIN STC 12 40 AG	revos MINI Q12, 12-pole + ground, male insert, IEC 690V/10A, UL 600V/10A, crimp connection
73.700.0553.0	Female insert MIN BUC 5 25 AG	Female insert revos MiNI, 5-poles, crimp connection, rated current: 16 A, rated voltage: 400V, with silver-plated contacts
73.710.0553.0	Male insert MIN STC 5 25 AG	Male insert revos MiNI, 5-poles, crimp connection, rated current: 16 A, rated voltage: 400V, with silver-plated contacts



Weitergabe sowie Vervielfältigung dieses Dokuments, Verwertung und Mitteilung seines Inhalts sind verboten, soweit nicht ausdrücklich gestattet. The reproduction, distribution and utilization of this document as well as the communication of its contents to others without express authorization is prohibited.

○ Diese Maße werden bei Abnahme besonders geprüft  
 ○ Ausschließlich Prüfmaße  
 ○ Mit Z/E gekennzeichnete Maße sind nur für interne Zwecke gültig

Weitere Daten siehe Katalog  
 further data see catalog

Teile - Nr. part-number	Ausführung M20 version M20	H	Material material	Typ type
76.322.0736.0	Verschraubung with cable gland	(60,5)	Zinkdruckguß metal	MIN GUT GC 7 M20 25Z0
76.322.0736.1	Zw.Stutzen with thread	54,5	Zinkdruckguß metal	MIN GUT GC 7 M20 25Z1

Freitoleranz nach DIN		CAD - Zeichnung, keine manuellen Änderungen			1. Verwendung: -		Bl.: 1 von 1		
	/	Maßstab %	Werkstoff und Oberfläche:	2005	Tag	Name	T	Zeichnung Nr. 76.322.0736.0 01K	Index
	/			Entworfen	25.02.	Schmitt J.			
	/			Geprüft	-	-			
	/			Normgepr.	-	-	Ersatz für: -		
Buchstabe	Datum / Blatt	 <b>wieland</b> Elektrische Verbindungen		Benennung <b>GEHAEUSEUNTERTEIL</b> geschlossen 7-polig M20 Closed housing with locking lever 7poles M20					
Änderung									

763220736001K\_4 CADW028 Schmitt 2005-02-25T11:02:37 1.000