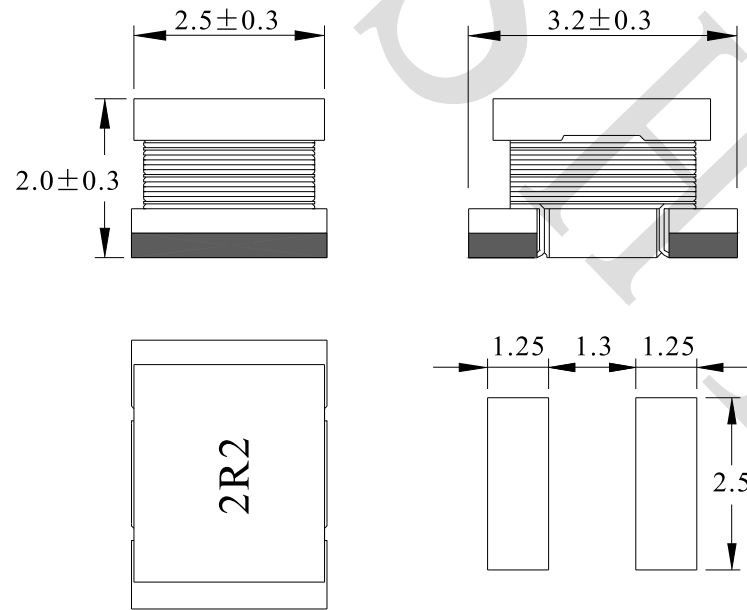
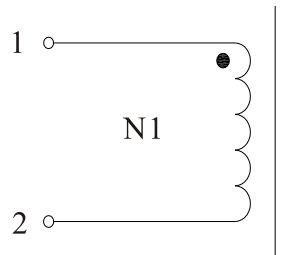


Rev.	Description	Date
A0	New release	2022.12.05

1. PHYSICAL CHARACTERISTICS (mm)



2. ELECTRICAL SCHEMATIC



3. ELECTRICAL SPECIFICATIONS

- L(1-2): 2.2uH ± 20% @ 1MHz, 0.25V
- DCR(1-2): 0.169 Ω Max
- Isat: 0.6A Max (inductance drop 10% Max)
- Irms: 0.6A Max (Temp. rise 20°C Max)
- SRF: 64MHz Min
- Operating temperature: -40°C to +125°C (Including temp. rise)
- Storage temperature: -40°C to +85°C

Test Instrument:

L: HP4284A
RDC: HM2540

Note:

1. Solderability: leads shall meet MIL-STD-202, Method 208D for solderability.
2. Flammability: UL94V-0
3. ASTM oxygen index: >28%

NAME:	SMD Inductor		
CUSTOMER P/N:	LQH32CN2R2M23L	DATE:	2022-12-05
SHINHOM P/N:	LQH1210-2R2M-0.6A	REV:	A0
DRAWN BY	CHECKED BY	APPROVE BY	



SHINHOM
SHAANXISHINHOM ENTERPRISE CO LTD

The Document property belong to SHINHOM & is not allowed to be duplicated without authorization