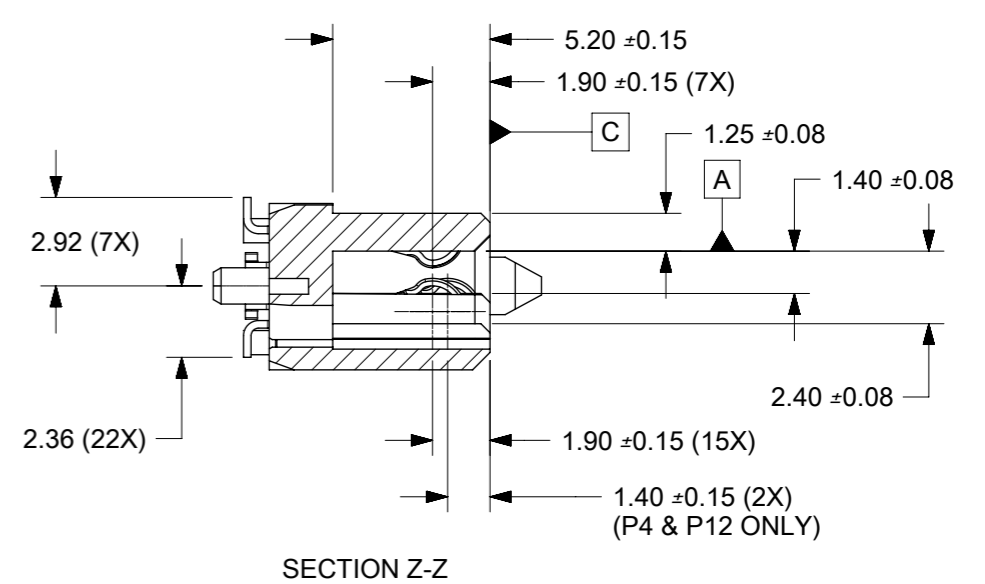
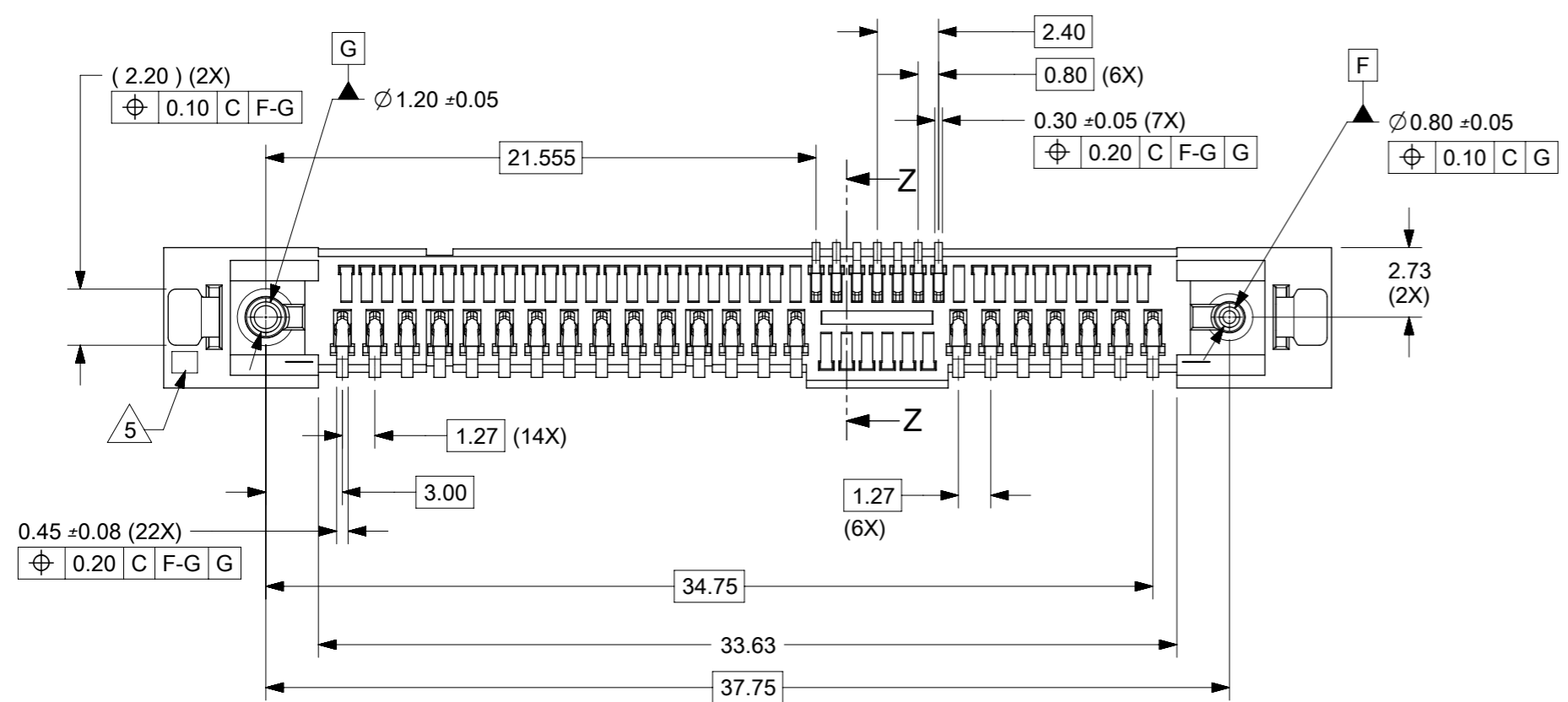
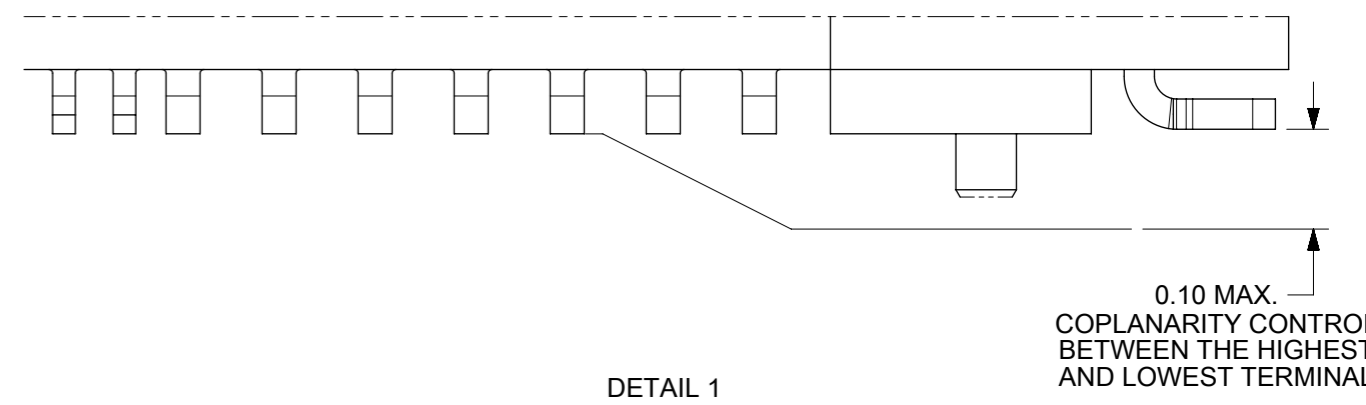
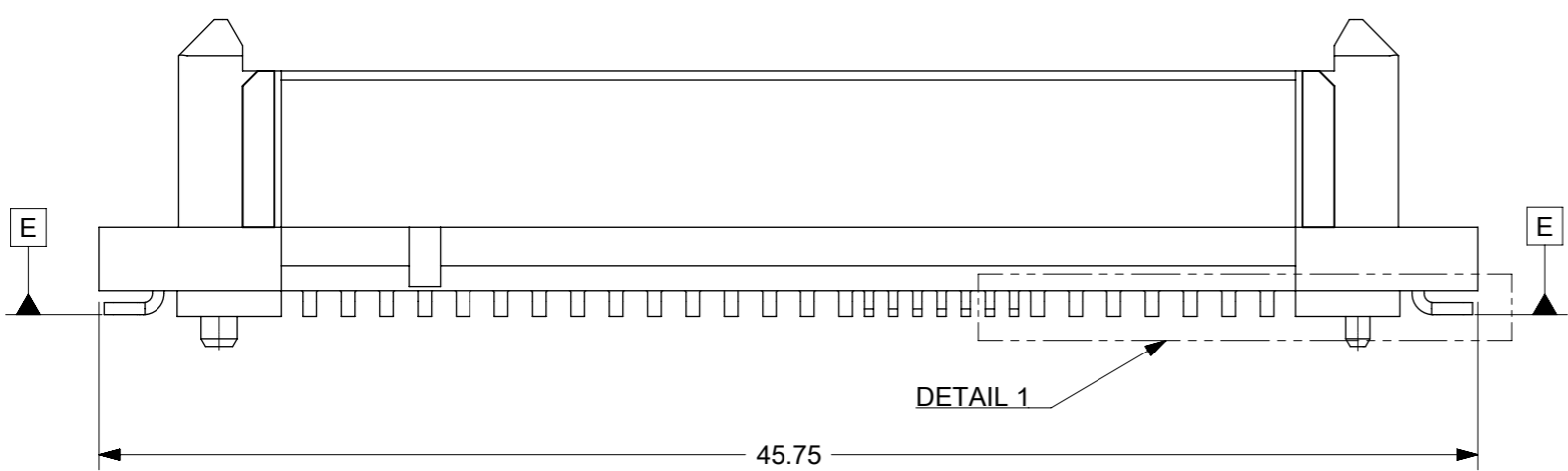


ASSEMBLY LINE CODE
 1#-EXISTING LINE
 2#-NEW LINE

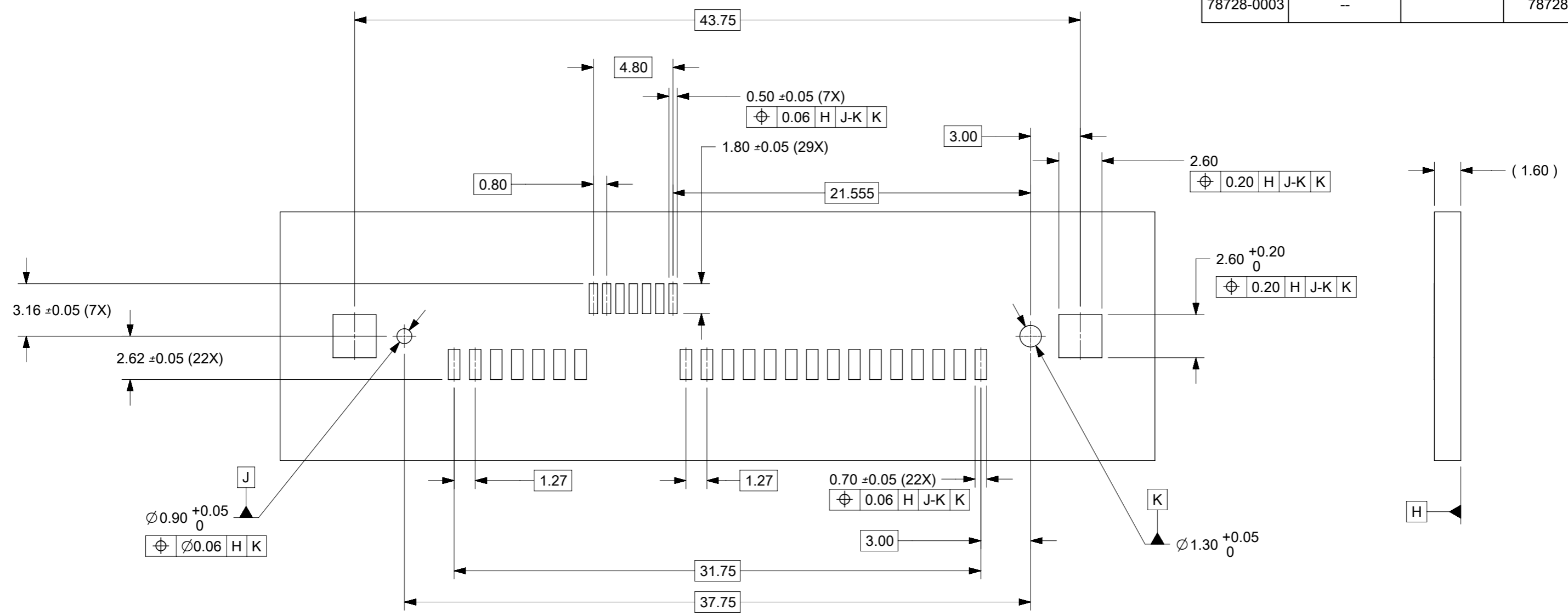
- NOTES:
- MATERIALS:
 HOUSING: LCP, GLASS FILLED, UL94V-0. COLOR : BLACK
 TERMINALS: COPPER ALLOY
 SMT TAB: COPPER ALLOY
 - FINISHES:
 TERMINAL CONTACT:
 0.76µm MIN GOLD ON CONTACTS OVER 1.27µm MIN NICKEL UNDERPLATE.
 TERMINAL SOLDER TAIL:
 2.54µm MIN TIN OVER 1.27µm MIN NICKEL UNDERPLATE.
 SMT TAB:
 2.54µm MIN TIN OVER 1.27µm MIN NICKEL UNDERPLATE.
 - PRODUCT SPECIFICATION: PS-78728-001
 - PACKAGING SPECIFICATION: SEE TABLE
 - MOLEX LOGO, CAVITY ID AND DATE CODE TO BE LOCATED APPROXIMATELY AS SHOWN.
 - NON FUNCTIONAL CORE HOLE MAY VARY
 - PRODUCT IS COMPLIANT TO RoHS DIRECTIVE WITH THE FOLLOWING BANNED SUBSTANCES - LEAD, MERCURY, CADMIUM, HEXAVALENT CHROMIUM, POLYBROMINATED BIPHENYLS AND POLYBROMINATED DIPHENYL ETHERS.
 - REFER TO AS-78728-001 FOR PCB ROUTING RECOMMENDATIONS.

SYMBOLS		THIS DRAWING CONTAINS INFORMATION THAT IS PROPRIETARY TO MOLEX ELECTRONIC TECHNOLOGIES, LLC AND SHOULD NOT BE USED WITHOUT WRITTEN PERMISSION	
▽ = 0	mm	DIMENSION UNITS	SCALE
▽ = 0	GENERAL TOLERANCES (UNLESS SPECIFIED)		
▽ = 0	ANGULAR TOL ± 3.0°	CURRENT REV DESC: ADD PN787280003	
▽ = 0	4 PLACES ±	EC NO: 619940	
▽ = 0	3 PLACES ±	DRWN: CWANG25 2019/05/24	
▽ = 0	2 PLACES ± 0.2	CHK'D: SHONG 2019/07/08	
▽ = 0	1 PLACE ±	APPR: SHONG 2019/07/08	SERIAL ATTACH SCSI STD HEIGHT BACKPLANE SMT RECEPTACLE
▽ = 0	0 PLACES ±	INITIAL REVISION:	PRODUCT CUSTOMER DRAWING
□ = 0	DRAFT WHERE APPLICABLE MUST REMAIN WITHIN DIMENSIONS	DRWN: NSRIVATSAHS 2016/09/16	DOCUMENT NUMBER
▽ = 0	THIRD ANGLE PROJECTION	APPR: SHONG 2018/06/20	SD-78728-001
	DRAWING	SERIES	DOC TYPE
	A3-SIZE	78728	PSD
	MATERIAL NUMBER	CUSTOMER	DOC PART
	SEE TABLE	GENERAL MARKET	000
	SHEET NUMBER		REVISION
	1 OF 4		C1



SYMBOLS		THIS DRAWING CONTAINS INFORMATION THAT IS PROPRIETARY TO MOLEX ELECTRONIC TECHNOLOGIES, LLC AND SHOULD NOT BE USED WITHOUT WRITTEN PERMISSION	
▽ = 0	DIMENSION UNITS	SCALE	CURRENT REV DESC: ADD PN787280003
▽ = 0	mm		
▽ = 0	GENERAL TOLERANCES (UNLESS SPECIFIED)		molex SERIAL ATTACH SCSI STD HEIGHT BACKPLANE SMT RECEPTACLE PRODUCT CUSTOMER DRAWING
▽ = 0	ANGULAR TOL ± 3.0°		
▽ = 0	4 PLACES	±	
▽ = 0	3 PLACES	±	
▽ = 0	2 PLACES	± 0.2	
▽ = 0	1 PLACE	±	EC NO: 619940 DRWN: CWANG25 2019/05/24 CHK'D: SHONG 2019/07/08 APPR: SHONG 2019/07/08
▽ = 0	0 PLACES	±	INITIAL REVISION: DRWN: NSRIVATSAHS 2016/09/16 APPR: SHONG 2018/06/20
■ = 0	DRAFT WHERE APPLICABLE MUST REMAIN WITHIN DIMENSIONS		DOCUMENT NUMBER: SD-78728-001 DOC TYPE: PSD DOC PART: 000 REVISION: C1
▽ = 0	THIRD ANGLE PROJECTION	DRAWING	SERIES
		A3-SIZE	78728
	MATERIAL NUMBER	CUSTOMER	SHEET NUMBER
	SEE TABLE	GENERAL MARKET	2 OF 4

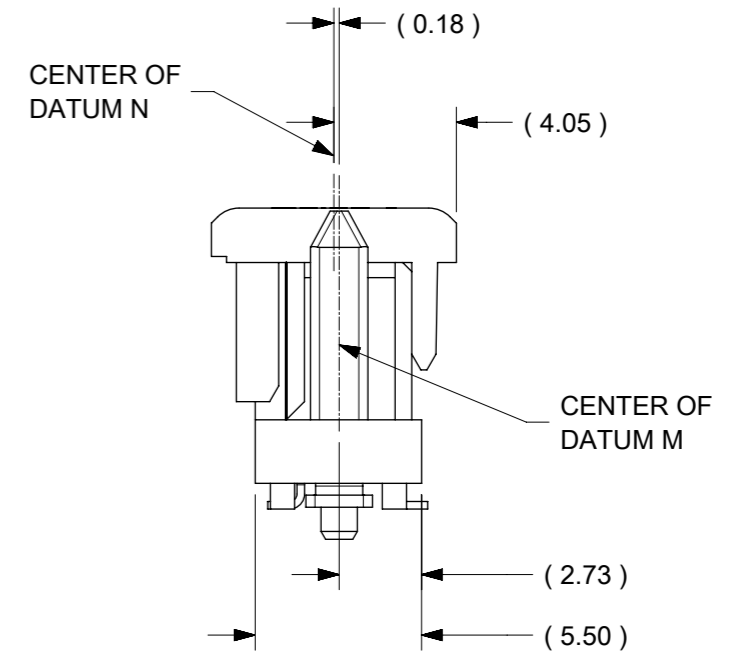
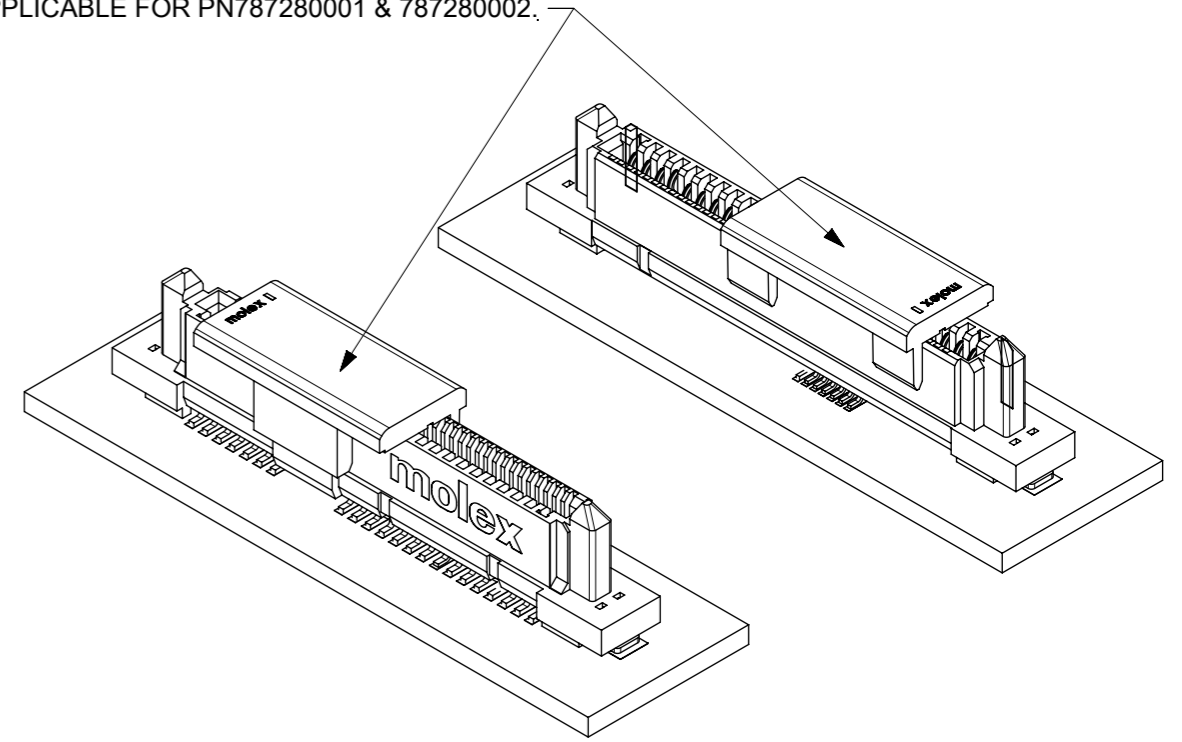
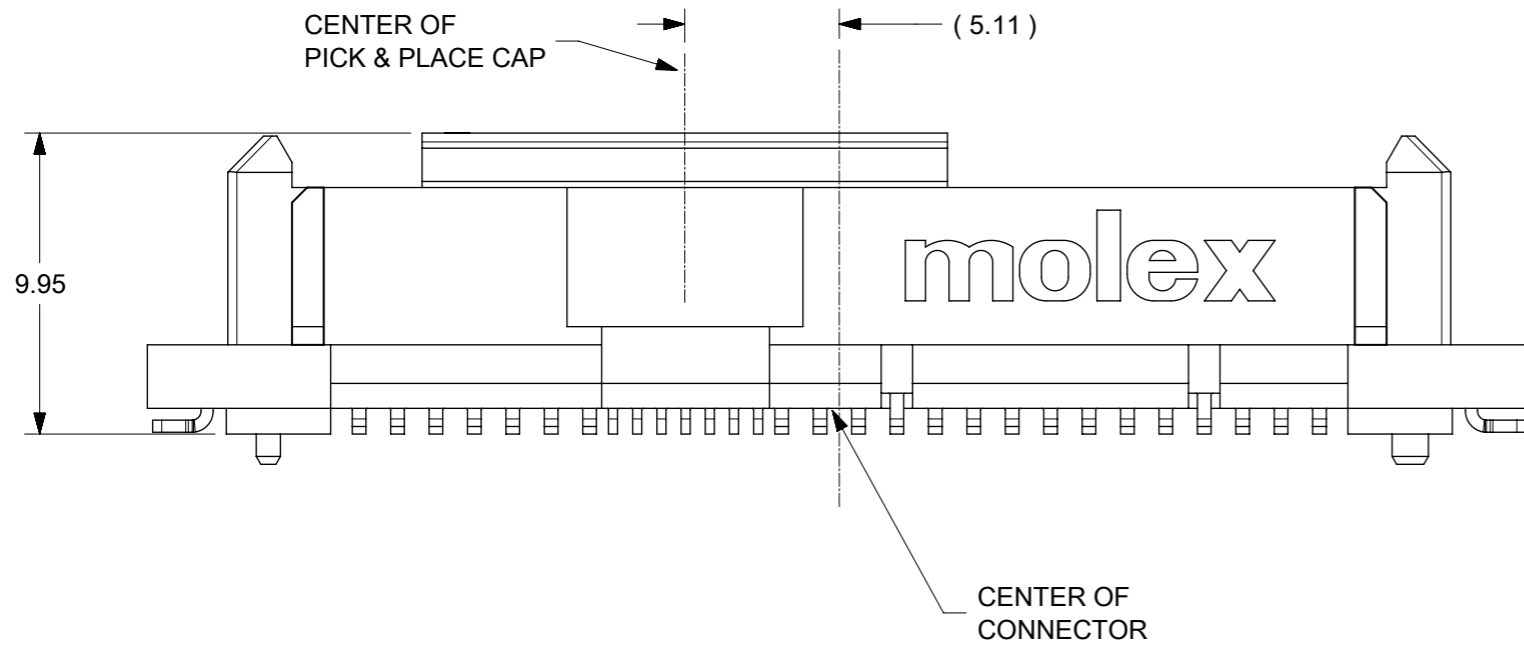
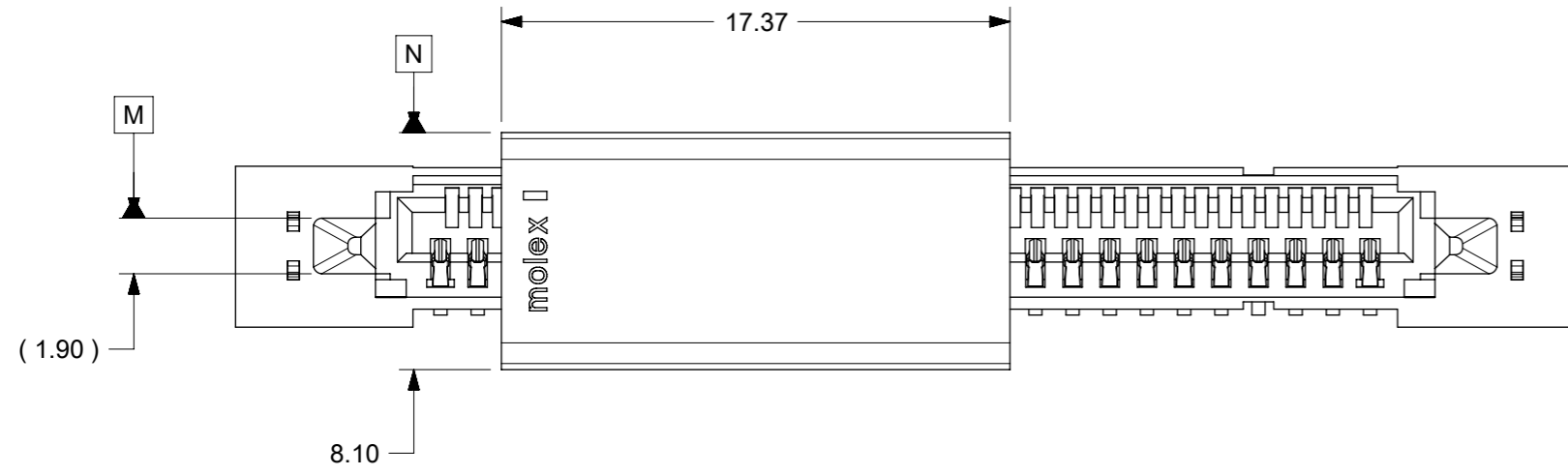
PART NO	PICK & PLACE CAP	PACKAGING	PACKAGING SPECIFICATION
78728-0001	YES	TRAY	PK-78728-001
78728-0002		TAPE & REEL	PK-78728-003
78728-0003	--		



CONNECTOR OUTLINE
RECOMMENDED PCB LAYOUT
THICKNESS: 1.60±10

SYMBOLS DIMENSION UNITS: mm SCALE: CURRENT REV DESC: ADD PN787280003 GENERAL TOLERANCES (UNLESS SPECIFIED) ANGULAR TOL ± 3.0° 4 PLACES ± 3 PLACES ± 2 PLACES ± 0.2 1 PLACE ± 0 PLACES ± DRAFT WHERE APPLICABLE MUST REMAIN WITHIN DIMENSIONS THIRD ANGLE PROJECTION DRAWING: A3-SIZE SERIES: 78728	EC NO: 619940 DRWN: CWANG25 2019/05/24 CHK'D: SHONG 2019/07/08 APPR: SHONG 2019/07/08		molex SERIAL ATTACH SCSI STD HEIGHT BACKPLANE SMT RECEPTACLE PRODUCT CUSTOMER DRAWING	
	INITIAL REVISION: DRWN: NSRIVATSAHS 2016/09/16 APPR: SHONG 2018/06/20			
	MATERIAL NUMBER: SEE TABLE CUSTOMER: GENERAL MARKET		SHEET NUMBER: 3 OF 4	

P&P CAP ONLY APPLICABLE FOR PN787280001 & 787280002.
(SEE TABLE)



SYMBOLS	THIS DRAWING CONTAINS INFORMATION THAT IS PROPRIETARY TO MOLEX ELECTRONIC TECHNOLOGIES, LLC AND SHOULD NOT BE USED WITHOUT WRITTEN PERMISSION		CURRENT REV DESC: ADD PN787280003		molex
	DIMENSION UNITS	SCALE			
▽ = 0	mm				SERIAL ATTACH SCSI STD HEIGHT BACKPLANE SMT RECEPTACLE
▽ = 0	GENERAL TOLERANCES (UNLESS SPECIFIED)				
▽ = 0	ANGULAR TOL ± 3.0°				PRODUCT CUSTOMER DRAWING
▽ = 0	4 PLACES ±	EC NO: 619940			
▽ = 0	3 PLACES ±	DRWN: CWANG25	2019/05/24		DOCUMENT NUMBER
▽ = 0	2 PLACES ± 0.2	CHK'D: SHONG	2019/07/08		
▽ = 0	1 PLACE ±	APPR: SHONG	2019/07/08		DOC TYPE
▽ = 0	0 PLACES ±	INITIAL REVISION:			DOC PART
▽ = 0		DRWN: NSRIVATSAHS	2016/09/16		REVISION
▽ = 0		APPR: SHONG	2018/06/20		
▽ = 0	DRAFT WHERE APPLICABLE MUST REMAIN WITHIN DIMENSIONS	THIRD ANGLE PROJECTION	DRAWING	SERIES	MATERIAL NUMBER
▽ = 0			A3-SIZE	78728	CUSTOMER
					SEE TABLE
					GENERAL MARKET
					SHEET NUMBER
					4 OF 4