

Data sheet

Commercial Art.No.: 96.050.5153.1

Distributor RST20i5B 2G1 F VG 3SW

RST20i5 compact distribution unit for phase selection L3, 5 pole, application 250/400V with PE, 20A, 1 input and 2 outputs, with fastening option, coding color black, color of housing black



Commercial Art.No.	96.050.5153.1
EAN	4015573936492
Order Unit	1

Certificates / Approvals



Technical data

General

Rated current	20 A
Rated voltage	250 V / 400 V
Rated impulse voltage	4 kV
Pollution degree	3
Lockable	self-locking (unlocking by tool)
Color of coding/ contact carrier	black
Color of separate housing (only for modular versions)	black
Marking of poles	1, 2, 3, N, PE

Model

Number of inputs	1
Number of outputs	2
Type of fastening	yes
Degree of protection (IP)	IP66/68 (3m;2h) /IP69
Type of distributor	Compact distributor

Material

Housing material	Polyamide
halogen free	yes
Contact material	CuZn
Fire load	1.831 kWh
Insulation components continuous temperature	100 °C
Surface finish	Silver-plated

Dimensions

Length	162 mm
--------	--------

Width	104 mm
Height	57.2 mm

Classification

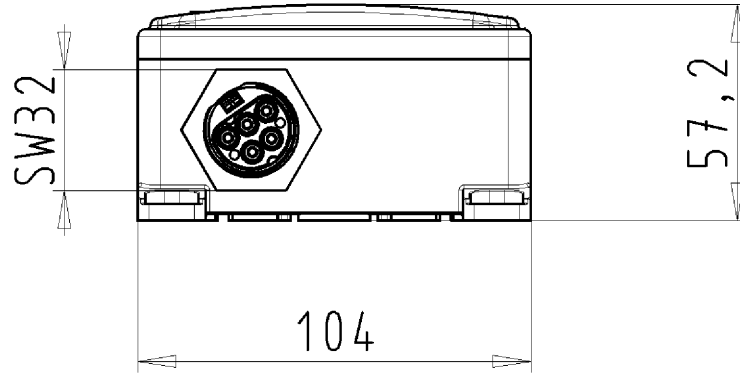
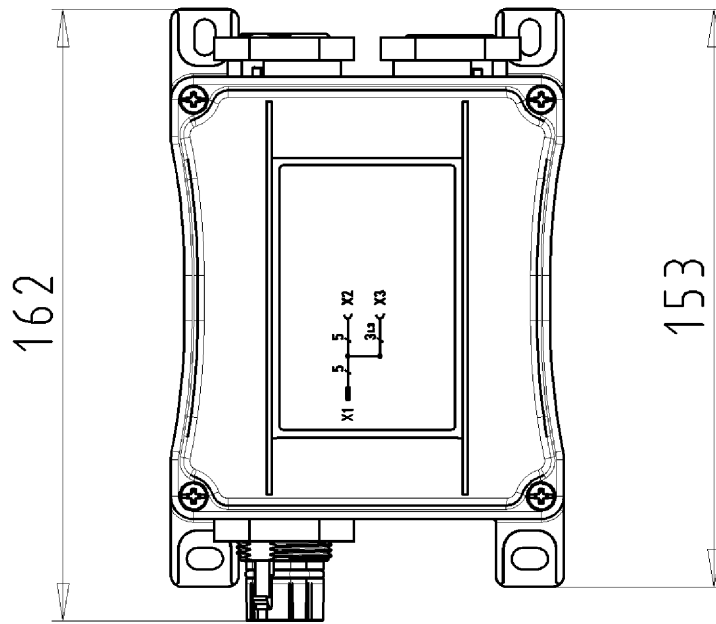
ECLASS 11	
ECLASS 8.1	27440603
ETIM 7.0	EC002567
ETIM 6.0	EC002567
ETIM 5.0	EC002567
ETIM 4.0	EC002567

Product compliance

ROHS conformity status	Compliant/Exempted
ROHS exceptions	III-6(c)
REACH-SVHC conformity status	Duty-To-Declare
REACH-SVHC substances	Lead
REACH-SVHC CAS numbers	7439-92-1

Accessories

Commercial Art.No.:	Article-type description:	Description:
05.565.9953.1	Cover for male connector SW	RST20i5/4 cover piece, for covering unused male connectors, color black
99.530.0000.7	Cover for female connector SW	RST20i5/4 cover piece, for covering unused female connectors, with fastening belt, color black
99.532.0000.7	Cover for male connector SW	RST20i5/4 cover piece, for covering unused male connectors, with fastening belt, color black
Z5.565.9853.1	Cover for female connector SW	RST20i5/4 cover piece, for covering unused female connectors, color black



VERTEILERBOX
 96.050.5153.1 10W
 07.04.2008 Weisensel F.
 M1:2