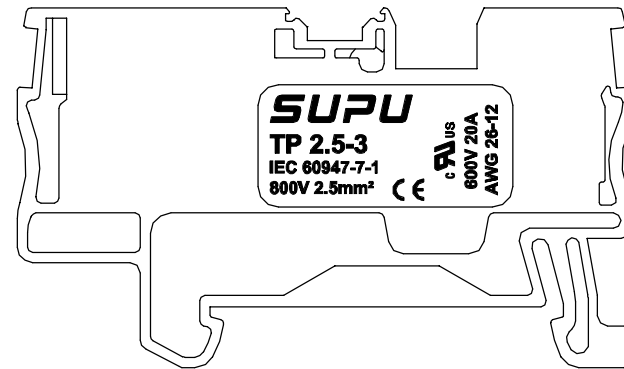
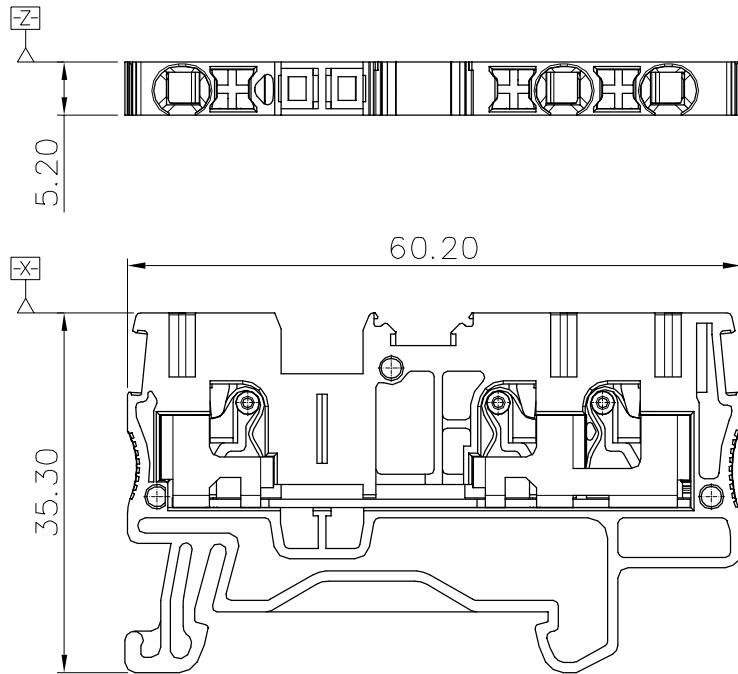


Transmittal, reproduction, dissemination and/or editing of this document as well as utilization of its contents and communication thereof to others without express authorization are prohibited.

未经允许禁止传输、复制、编辑该文档，以及利用其内容进行交流

REVISION RECORD				
REV	ECN	DESCRIPTION	DRFT	DATE
△	DCN0007037	图纸更新	陈杰松	2020/05/30



Connection method:

1. For Solid wire, peel wire in right length, push down the wire.
2. For flexible wire, peeling wire in right length, pushdown the key & fix the wire, or wire furrled and fix then.

NOTES:

UL/CUL Standard

1. Conductor cross section : 26~12AWG
2. Rated Voltage/Current :

Use group	B	C	D
Rated voltage(V)	600	600	
Rated current(A)	20	20	

IEC Standard

1. Conductor cross section :

Wire range(Solid/Stranded)	0.2-2.5mm <sup>2</sup>
Solid	0.2-4mm <sup>2</sup>
Stranded	0.2-2.5mm <sup>2</sup>
Stranded with ferrules without plastic sleeve	0.2-2.5mm <sup>2</sup>
Stranded with ferrules with plastic sleeve	0.2-2.5mm <sup>2</sup>

2. Rated Voltage/Current :

Surge voltage category	III
Pollution degree	3
Rated surge voltage(KV)	8
Rated voltage(V)	800
Rated current(A)	24

Material:

Insulator	PA66	UL94 V-0
Conductor	Copper alloy	Sn plated
Spring	Stainless steel	

General information:

1. Dimension shall be interpreted per ASME Y14.5-2009
2. Stripping length : 8-10mm
3. Operating temperature: -40°C~+105°C
4. RoHS Compliance
5. Undimensioned Tolerances:

Pitch Range In mm	Nominal Dimension Range In mm	-	∧	∇
Over 6 TO 10	Over 10 TO 24	Over 30 TO 60	Over 60 TO 100	Over 100 TO 150
±0.15	±0.20	±0.30	±0.50	±0.70
			±1.00	±1.30
				±2'

HOW TO ORDER:  
TP2.5-3-XX

Sereies No.

Color:  
GY: Grey  
BU: Blue  
OG: Orange

借通用件登记  
Common Part

原图号  
Old Draw. No.

底图总号  
Assembly No.

订货号 Order No.	TP2.5-3-XX		名称 Name	TP系列直插式弹簧 2.5mm <sup>2</sup> 一进两出 接线端子	未注公差 Tolerance	表面 Surface	
项目 Item	签字 Signature	日期 Date	图号 Drawing No.	/	见公差表	VDI21	
设计 Design	陈杰松	11/27/19	材料 Material	见NOTES	版本号 Revision Number	重量 Weight	比例 Scale
审核 Check	陈武	11/27/19	物料号 Item No.		M2	/	1:1
工艺 Process	-	-			第1页/共1页 1 of 1		
标准化 Unify	-	-			mm		
批准 Approve	梁文龙	11/27/19			<b>SUPU 宁波速普电子有限公司</b> <b>NINGBO SUPU ELECTRONICS CO.,LTD.</b>		

1

2

3

4

5

6

7

8

A

B

C

D

E

F