

EPOXY COATED COILS (EC-Series)

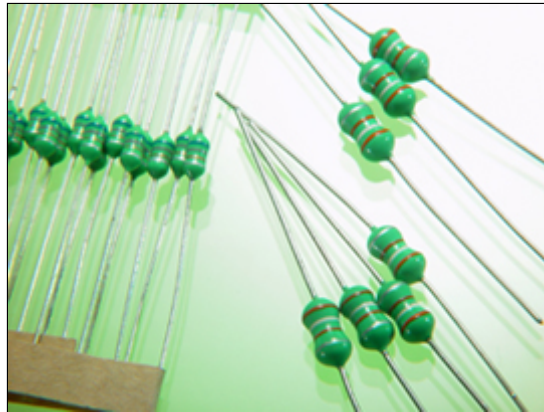
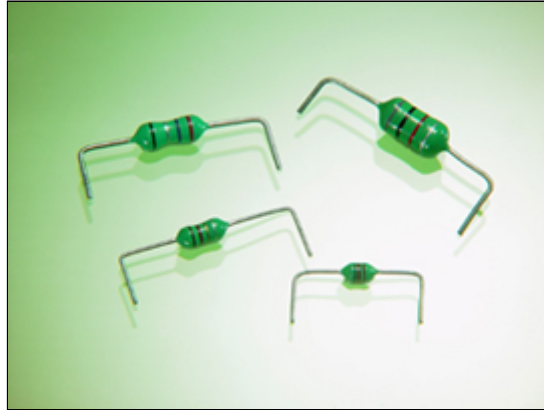


Features:

- Conformal coated inductors
- Reliable, ideal for high efficient automatic insertion
- Wide selection of configuration to meet different manufacturing needs

Applications:

- Consumer electronics such as VCRs, TVs, audio equipment
- Mobile communications



Model Number Expression

Model Number:

EC ## ##### # - ##### - #
 (1) (2) (3) (4) (5)

- (1): Type
 (2): Inductance
 (3): Tolerance
 (4): Issue No.
 (5): Packing Code

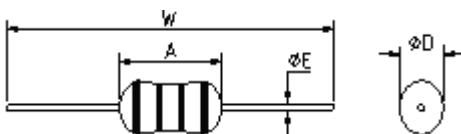
Product Name:

EC ## ## - ### # - ###
 (1) (2) (3) (4) (5)

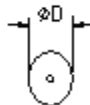
- (1): Type
 (2): Packing Code
 (3): Inductance
 (4): Tolerance
 (5): Wire Diameter

Dimensions (Bulk and Type)

Bulk:

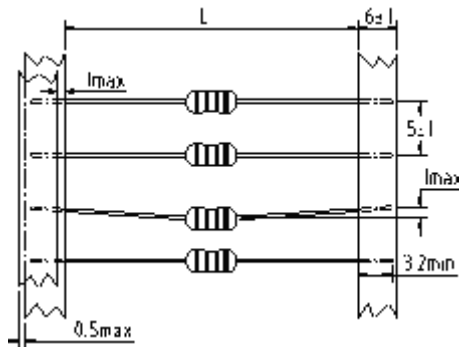


Tape:



[Click on the parameters](#)

[for explanations](#)

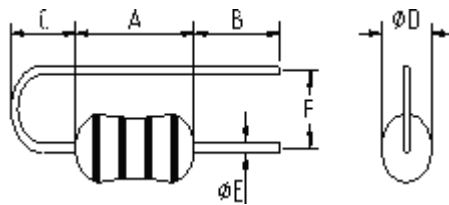


| Series | A (Max) | W±1 | ØD (Max) | ØE (±0.05) |
|--------|---------|-----|----------|------------|
| EC22 | 4.5 | 63 | 2.8 | 0.50 |
| EC24 | 7.0 | 63 | 3.0 | 0.5 |
| EC36 | 10 | 63 | 4.0 | 0.65 |
| EC38 | 12 | 63 | 4.0 | 0.5 |
| EC310 | 13.5 | 63 | 4.0 | 0.5 |
| EC46 | 10 | 63 | 5.2 | 0.65 |
| EC48 | 12 | 63 | 5.2 | 0.65 |
| EC410 | 13.5 | 63 | 5.2 | 0.65 |

[#Back to Top](#)

Dimensions (F-Forming)

F-Forming:

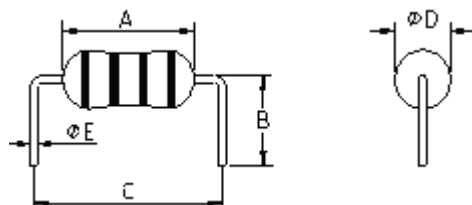


| Series | A (Max) | B (Min) | C (Max) | Ø (Max) | ØE (±0.05) | F±1 |
|--------|---------|---------|---------|---------|------------|-----|
| EC22F | 4.5 | 3.6 | 4 | 2.8 | 0.50 | 3 |
| EC24F | 7.0 | 3.6 | 6 | 3.0 | 0.5 | 5 |
| EC36F | 10 | 4 | 8 | 4.0 | 0.65 | 5 |
| EC38F | 12 | 4 | 8 | 4.0 | 0.5 | 5 |
| EC46F | 10 | 4 | 8 | 8 | 0.65 | 5 |

[#Back to Top](#)

Dimensions (U-Forming)

U-Forming:



| Series | A (Max) | B (Min) | C (±1.0) | ØD (Max) | ØE (±0.05) |
|--------|---------|---------|----------|----------|------------|
| EC22U | 4.5 | 3.6 | 10 | 2.8 | 0.5 |
| EC24U | 7.0 | 3.6 | 10 | 3.0 | 0.5 |
| EC36U | 10 | 3.6 | 12.5 | 4.0 | 0.65 |
| EC38U | 12 | 4 | 15 | 4.0 | 0.5 |
| EC46U | 10 | 5 | 12.5 | 5.2 | 0.65 |

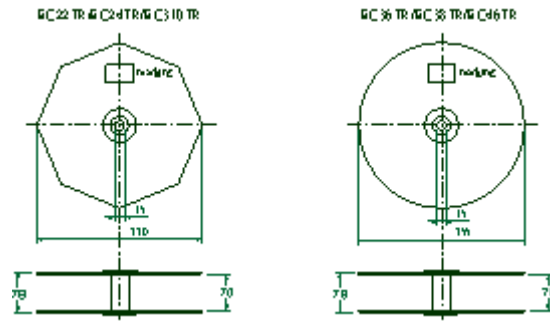
[#Back to Top](#)

EC Type Axial Lead Standard Tape Packaging

1) Reel dimension

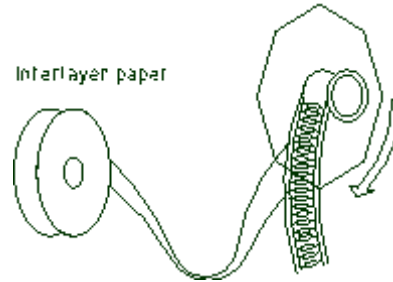
Marking:

1. Product name
2. Quantity



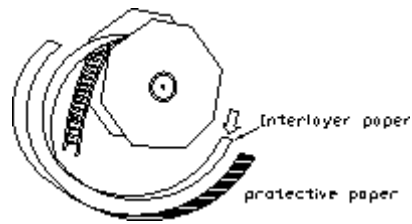
2) Reel packaging condition

2-1 Beginning of winding



2-2 End of tape winding

- a. Wind the interlayer paper layer at least one turn as the tape is being wound.
- b. Wrap the interlayer paper with one turn of protective paper.
- c. Apply a 300mm or longer tape leader at both ends of the tape.



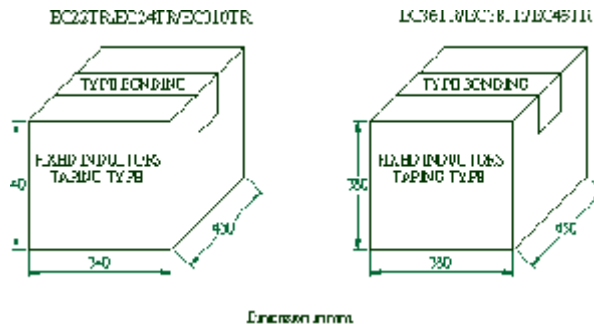
3) Packaging unit (per reel)

EC22TR, EC24TR & EC36TR - 5,000 pcs per reel / 5 reels per carton
 EC46TR - 3,000 pcs per reel / 5 reels per carton

4) Packaging

Marking:

1. Product name
2. Quantity
3. Carton no

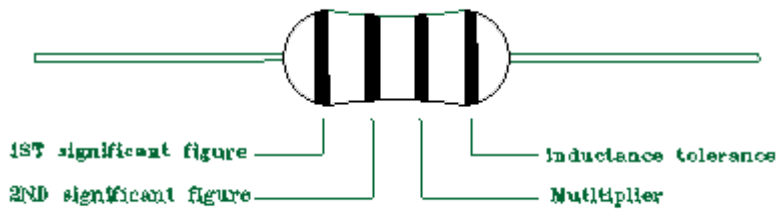


5) Weight

- 9kg/carton (approx) - EC22TR
- 10kg/carton (approx) - EC24TR
- 15kg/carton (approx) - EC36TR
- 13kg/carton (approx) - EC46TR

COLOR CODE

Inductance values are indicated with color code as shown below



| Color code | Significant figure | Multiplier | Inductance tolerance(%) |
|------------|--------------------|------------|-------------------------|
| Black | 0 | 1 | -- |
| Brown | 1 | 10 | -- |
| Red | 2 | 100 | -- |
| Orange | 3 | 1000 | -- |
| Yellow | 4 | -- | -- |
| Green | 5 | -- | -- |
| Blue | 6 | -- | -- |
| Violet | 7 | -- | -- |
| Grey | 8 | -- | -- |
| White | 9 | -- | -- |
| Black | -- | -- | ±20 |
| Silver | -- | 0.01 | ±10 |
| Gold | -- | 0.1 | ±5 |

[#Back to Top](#)