

uA747C, uA747M DUAL GENERAL-PURPOSE OPERATIONAL AMPLIFIERS

SLOS009A – D971, FEBRUARY 1971 – REVISED OCTOBER 1990

- No Frequency Compensation Required
- Low Power Consumption
- Short-Circuit Protection
- Offset-Voltage Null Capability
- Wide Common-Mode and Differential Voltage Ranges
- No Latch-Up
- Designed to Be Interchangeable With Fairchild μ A747C and μ A747M

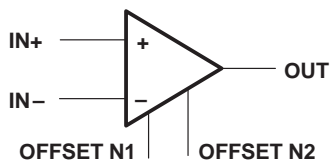
description

The uA747 is a dual general-purpose operational amplifier featuring offset-voltage null capability. Each half is electrically similar to uA741.

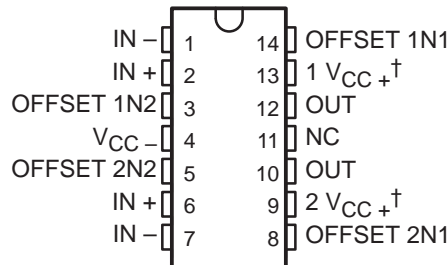
The high common-mode input voltage range and the absence of latch-up make this amplifier ideal for voltage-follower applications. The device is short-circuit protected and the internal frequency compensation ensures stability without external components. A low-value potentiometer may be connected between the offset null inputs to null out the offset voltage as shown in Figure 2.

The uA747C is characterized for operation from 0°C to 70°C; the uA747M is characterized for operation over the full military temperature range of –55°C to 125°C.

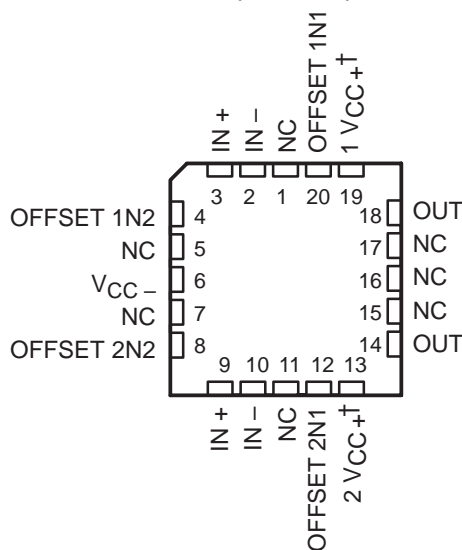
symbol (each amplifier)



D, J, N, OR W PACKAGE
(TOP VIEW)



uA747m . . . FK PACKAGE
(TOP VIEW)



NC – No internal connection

† The two positive supply terminals (1 V_{CC+} and 2 V_{CC+}) are connected together internally.

AVAILABLE OPTIONS

T _A	V _{IO} Max AT 25°C	PACKAGE				
		14-PIN				20-PIN
		SMALL OUTLINE (D)	CERAMIC DIP (J)	PLASTIC DIP (N)	FLAT PACK (W)	CHIP CARRIER (FK)
0°C to 70°C	6 mV	uA747CD	—	uA747CN	—	—
–55°C to 125°C	5 mV	—	uA747MJ	—	uA747MW	uA747MFK

The D package is available taped and reeled. Add the suffix R to the device type, (i.e., uA747CDR).

PRODUCTION DATA information is current as of publication date. Products conform to specifications per the terms of Texas Instruments standard warranty. Production processing does not necessarily include testing of all parameters.

TEXAS
INSTRUMENTS

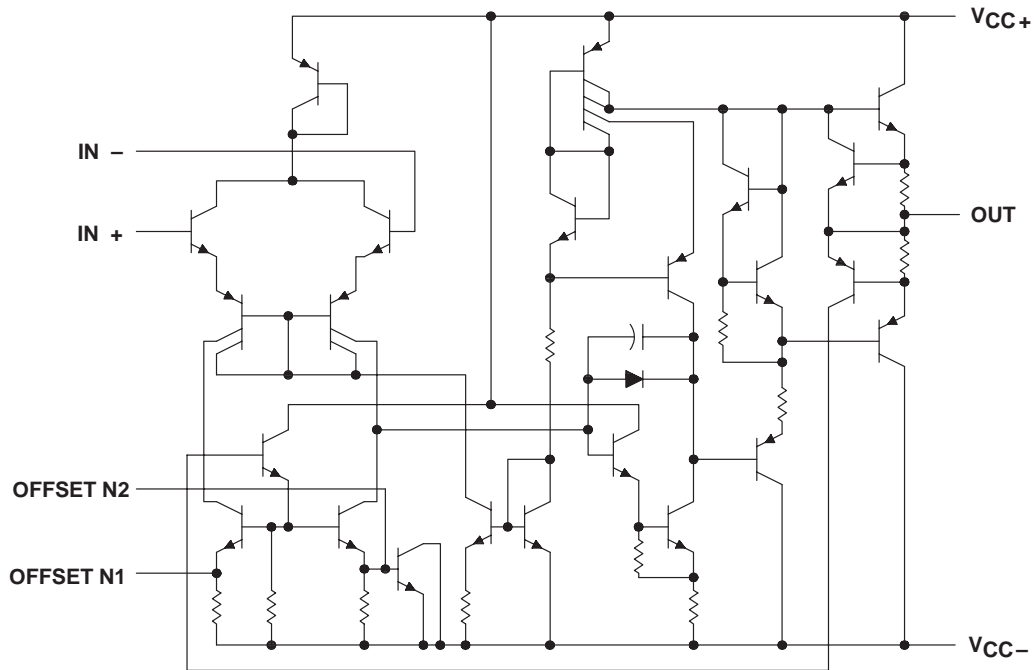
POST OFFICE BOX 655303 • DALLAS, TEXAS 75265

Copyright © 1990, Texas Instruments Incorporated

uA747C, uA747M DUAL GENERAL-PURPOSE OPERATIONAL AMPLIFIERS

SLOS009A – D971, FEBRUARY 1971 – REVISED OCTOBER 1990

schematic (each amplifier)



absolute maximum ratings over operating free-air temperature range (unless otherwise noted)

	uA747C	uA747M	UNIT
Supply voltage, V_{CC+} (see Note 1)	18	22	V
Supply voltage, V_{CC-} (see Note 1)	-18	-22	V
Differential input voltage (see Note 2)	± 30	± 30	V
Input voltage any input (see Notes 1 and 3)	± 15	± 15	V
Voltage between any offset null terminal (N1/N2) and V_{CC-}	± 0.5	± 0.5	V
Duration of output short circuit (see Note 4)	unlimited	unlimited	
Continuous total dissipation	See Dissipation Rating Table		
Operating free-air temperature range	0 to 70	-55 to 125	$^{\circ}\text{C}$
Storage temperature range	-65 to 150	-65 to 150	$^{\circ}\text{C}$
Case temperature for 60 seconds		FK package	260
Lead temperature 1,6 mm (1/16 inch) from case for 60 seconds		J or W package	300
Lead temperature 1,6 mm (1/16 inch) from case for 10 seconds		D or N package	260

NOTES: 1. All voltage values, unless otherwise noted, are with respect to the midpoint between V_{CC+} and V_{CC-} .

2. Differential voltages are at the noninverting input terminal with respect to the inverting input terminal.

3. The magnitude of the input voltage must never exceed the magnitude of the supply voltage or 15 V, whichever is less.

4. The output may be shorted to ground or either power supply. For the uA747M only, the unlimited duration of the short circuit applies at (or below) 125 $^{\circ}\text{C}$ case temperature or 75 $^{\circ}\text{C}$ free-air temperature.

DISSIPATION RATING TABLE

PACKAGE	$T_A \leq 25^{\circ}\text{C}$ POWER RATING	DERATING FACTOR	DERATE ABOVE T_A	$T_A = 70^{\circ}\text{C}$ POWER RATING	$T_A = 125^{\circ}\text{C}$ POWER RATING
D	800 mW	7.6 mW/ $^{\circ}\text{C}$	45 $^{\circ}\text{C}$	608 mW	—
FK	800 mW	11.0 mW/ $^{\circ}\text{C}$	77 $^{\circ}\text{C}$	800 mW	275 mW
J	800 mW	11.0 mW/ $^{\circ}\text{C}$	77 $^{\circ}\text{C}$	800 mW	275 mW
N	800 mW	9.2 mW/ $^{\circ}\text{C}$	63 $^{\circ}\text{C}$	736 mW	—
W	800 mW	8.0 mW/ $^{\circ}\text{C}$	50 $^{\circ}\text{C}$	640 mW	200 mW

uA747C, uA747M

DUAL GENERAL-PURPOSE OPERATIONAL AMPLIFIERS

SLOS009A – D971, FEBRUARY 1971 – REVISED OCTOBER 1990

electrical characteristics at specified free-air temperature, $V_{CC} \pm = \pm 15\text{ V}$

PARAMETER	TEST CONDITIONS†	T_A ‡	uA747C			uA747M			UNIT
			MIN	TYP	MAX	MIN	TYP	MAX	
V_{IO} Input offset voltage	$V_O = 0$	25°C	1	6		1	5	mV	
		Full range			7.5		6		
$\Delta V_{IO(\text{adj})}$ Offset voltage adjust range		25°C	±15			±15			mV
I_{IO} Input offset current		25°C	20	200		20	200	nA	
		Full range			300		500		
I_{IB} Input bias current		25°C	80	500		80	500	nA	
		Full range			800		1500		
V_{ICR} Common-mode input voltage range		25°C	±12	±13		±12	±13	V	
		Full range	±12			±12			
$V_{O(\text{PP})}$ Maximum peak-to-peak output voltage swing	$R_L = 10\text{ k}\Omega$	25°C	24	28		24	28	V	
	$R_L \geq 10\text{ k}\Omega$	Full range	24			24			
	$R_L = 2\text{ k}\Omega$	25°C	20	26		20	26		
	$R_L \geq 2\text{ k}\Omega$	Full range	20			20			
A_{VD} Large-signal differential voltage amplification	$R_L \geq 2\text{ k}\Omega$, $V_O = \pm 10\text{ V}$	25°C	25	200		50	200	V/mV	
		Full range	15			25			
r_i Input resistance		25°C	0.3	2		0.3*	2	MΩ	
r_o Output resistance	See Note 5	25°C	75			75			Ω
C_i Input capacitance		25°C	1.4			1.4			pF
CMRR Common-mode rejection ratio	$V_{IC} = V_{ICR}$	25°C	70	90		70	90	dB	
		Full range	70			70			
k_{SVS} Supply-voltage sensitivity ($\Delta V_{IO} / \Delta V_{CC}$)	$V_{CC} = \pm 9\text{ V}$ to $\pm 15\text{ V}$	25°C	30	150		30	150	μV/V	
		Full range		150			150		
I_{OS} Short-circuit output current		25°C	±25	±40		±25	±40	mA	
I_{CC} Supply current (each amplifier)	No load	25°C	1.7	2.8		1.7	2.8	mA	
		Full range			3.3		3.3		
P_D Power dissipation (each amplifier)	No load, $V_O = 0$	25°C	50	85		50	85	mW	
		Full range			100		100		
V_{O1}/V_{O2} Channel separation		25°C	120			120			0 dB

† All characteristics are measured under open-loop conditions with zero common-mode input voltage unless otherwise specified.

‡ Full range for uA747C is 0°C to 70°C and for uA747M is –55°C to 125°C.

*On products compliant to MIL-STD-883, Class B, this parameter is not production tested.

NOTE 5: This typical value applies only at frequencies above a few hundred hertz because of the effects of drift and thermal feedback.

operating characteristics, $V_{CC} \pm = \pm 15\text{ V}$, $T_A = 25^\circ\text{C}$

PARAMETER	TEST CONDITIONS	MIN	TYP	MAX	UNIT
t_r Rise time	$V_I = 20\text{ mV}$, $R_L = 2\text{ k}\Omega$, $C_L = 100\text{ pF}$, See Figure 1	0.3			μs
		5%			
SR Slew rate at unity gain	$V_I = 10\text{ mV}$, $R_L = 2\text{ k}\Omega$, $C_L = 100\text{ pF}$, See Figure 1	0.5			V/μs



uA747C, uA747M DUAL GENERAL-PURPOSE OPERATIONAL AMPLIFIERS

SLOS009A – D971, FEBRUARY 1971 – REVISED OCTOBER 1990

PARAMETER MEASUREMENT INFORMATION

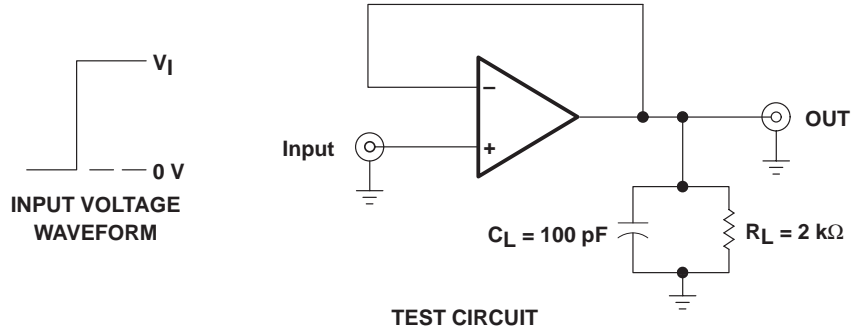


Figure 1. Rise Time, Overshoot, and Slew Rate

APPLICATION INFORMATION

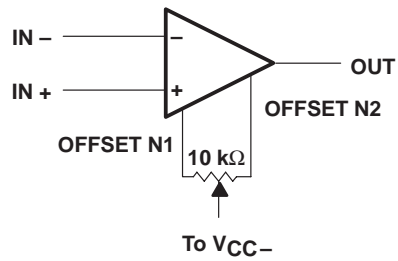


Figure 2. Input Offset Voltage Null Circuit

TYPICAL CHARACTERISTICS†

**INPUT OFFSET CURRENT
 vs
 FREE-AIR TEMPERATURE**

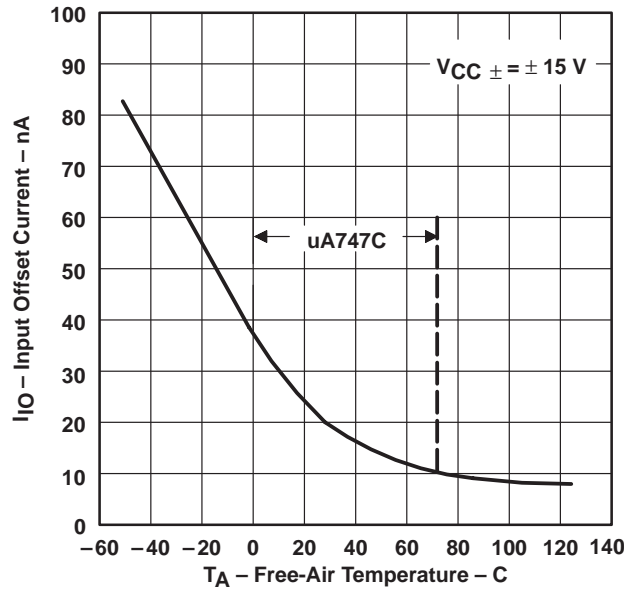


Figure 3

**INPUT BIAS CURRENT
 vs
 FREE-AIR TEMPERATURE**

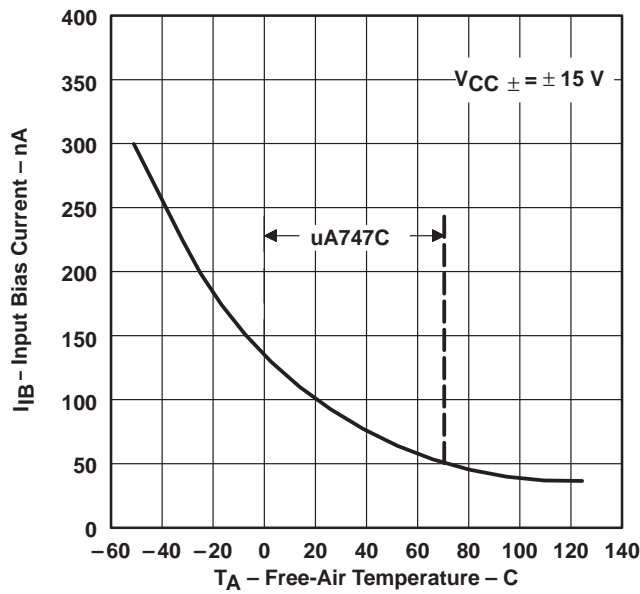


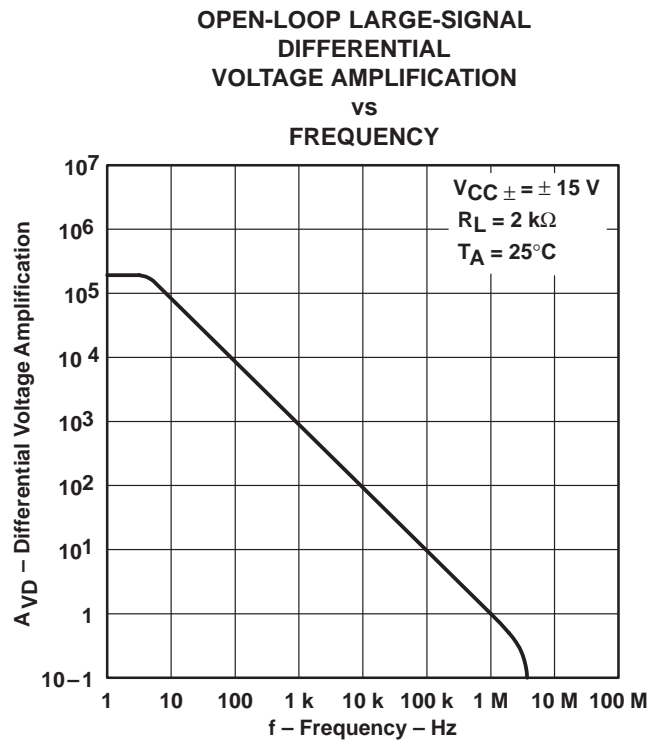
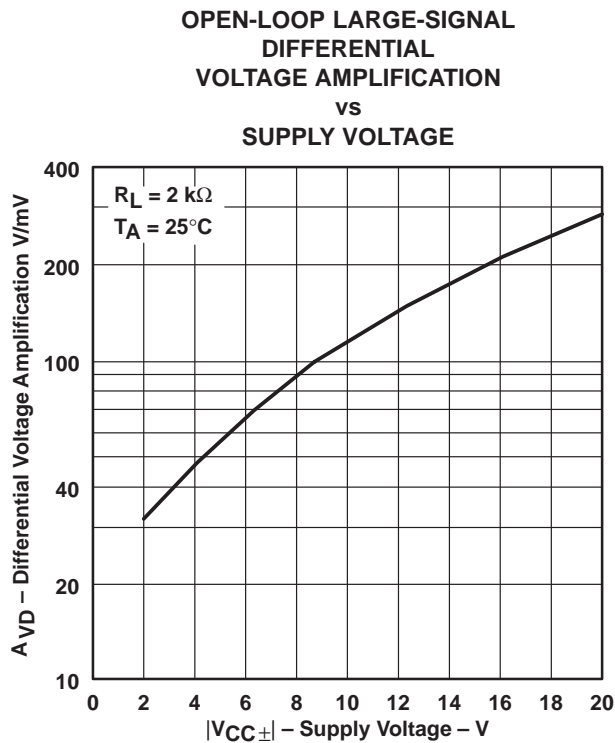
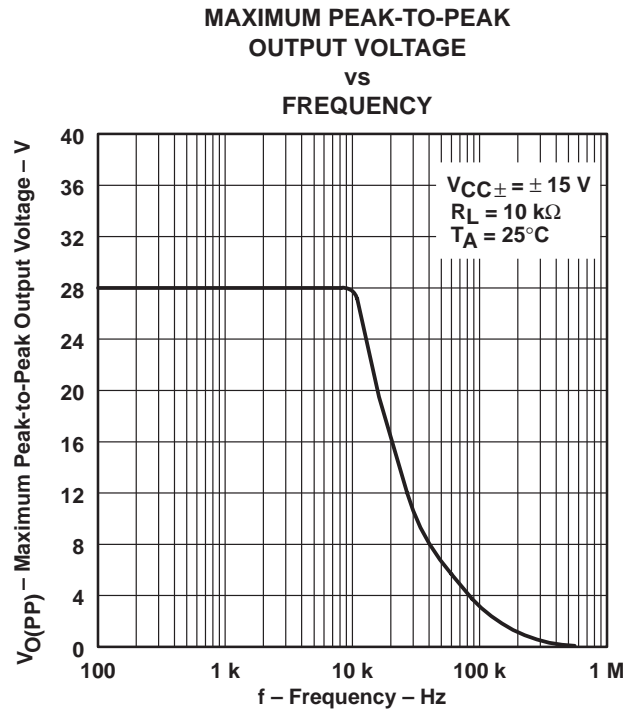
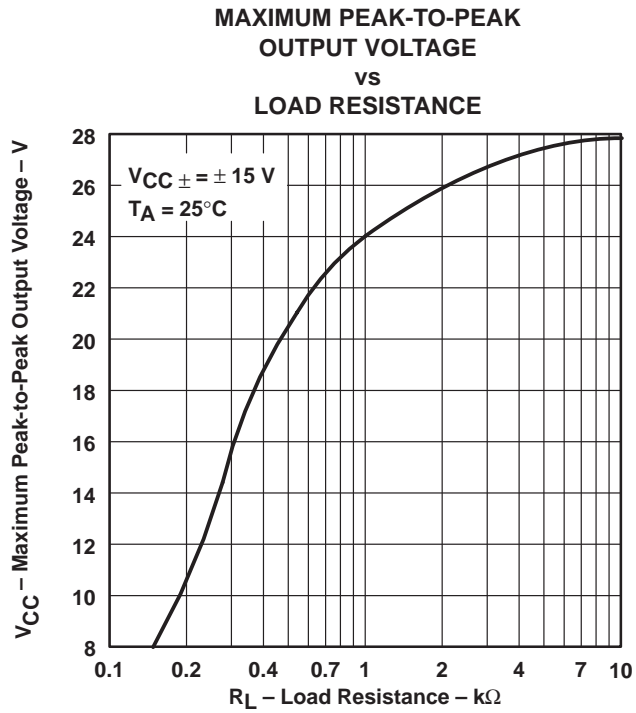
Figure 4

† Data at high and low temperatures are applicable only within the rated operating free-air temperature range of the particular devices.

uA747C, uA747M DUAL GENERAL-PURPOSE OPERATIONAL AMPLIFIERS

SLOS009A – D971, FEBRUARY 1971 – REVISED OCTOBER 1990

TYPICAL CHARACTERISTICS



TYPICAL CHARACTERISTICS

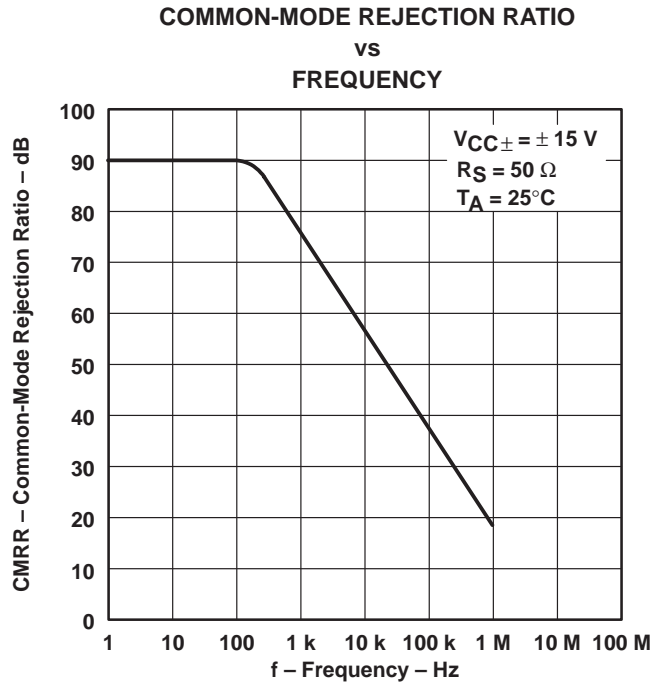


Figure 9

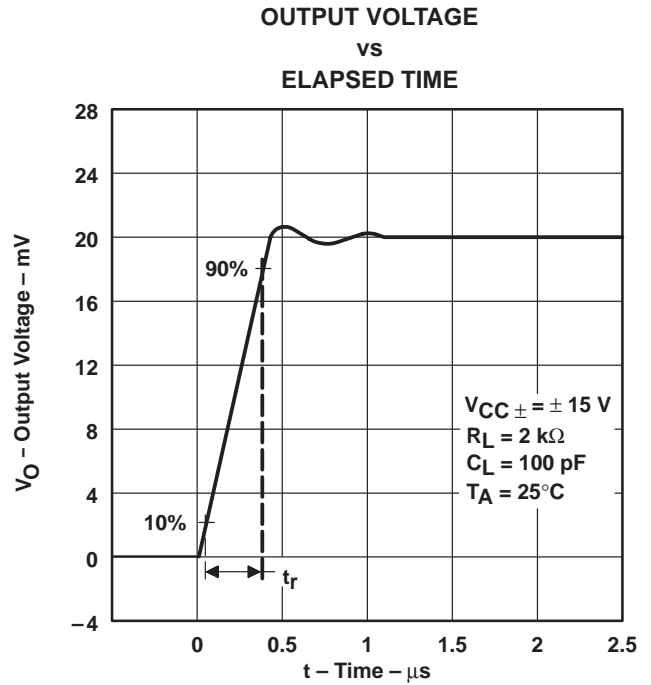


Figure 10

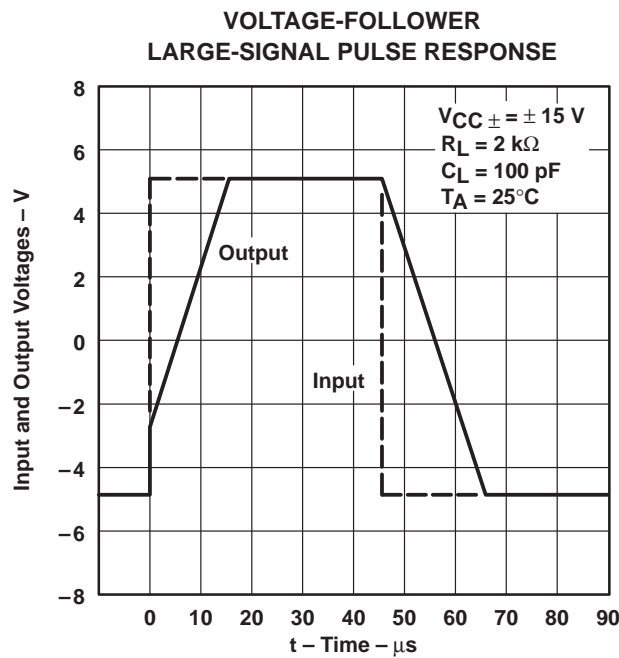


Figure 11

IMPORTANT NOTICE

Texas Instruments and its subsidiaries (TI) reserve the right to make changes to their products or to discontinue any product or service without notice, and advise customers to obtain the latest version of relevant information to verify, before placing orders, that information being relied on is current and complete. All products are sold subject to the terms and conditions of sale supplied at the time of order acknowledgement, including those pertaining to warranty, patent infringement, and limitation of liability.

TI warrants performance of its semiconductor products to the specifications applicable at the time of sale in accordance with TI's standard warranty. Testing and other quality control techniques are utilized to the extent TI deems necessary to support this warranty. Specific testing of all parameters of each device is not necessarily performed, except those mandated by government requirements.

CERTAIN APPLICATIONS USING SEMICONDUCTOR PRODUCTS MAY INVOLVE POTENTIAL RISKS OF DEATH, PERSONAL INJURY, OR SEVERE PROPERTY OR ENVIRONMENTAL DAMAGE ("CRITICAL APPLICATIONS"). TI SEMICONDUCTOR PRODUCTS ARE NOT DESIGNED, AUTHORIZED, OR WARRANTED TO BE SUITABLE FOR USE IN LIFE-SUPPORT DEVICES OR SYSTEMS OR OTHER CRITICAL APPLICATIONS. INCLUSION OF TI PRODUCTS IN SUCH APPLICATIONS IS UNDERSTOOD TO BE FULLY AT THE CUSTOMER'S RISK.

In order to minimize risks associated with the customer's applications, adequate design and operating safeguards must be provided by the customer to minimize inherent or procedural hazards.

TI assumes no liability for applications assistance or customer product design. TI does not warrant or represent that any license, either express or implied, is granted under any patent right, copyright, mask work right, or other intellectual property right of TI covering or relating to any combination, machine, or process in which such semiconductor products or services might be or are used. TI's publication of information regarding any third party's products or services does not constitute TI's approval, warranty or endorsement thereof.