

Data sheet

Commercial Art.No.: 78.106.0153.0

High current module female FLE BUS 1P 25 1K AG

Modular connector system 1 pole female insert + ground, 1000V/82A, screw connection



Commercial Art.No.	78.106.0153.0
EAN	4015573851344
Order Unit	5

Certificates / Approvals



Technical data

General

Model	Female insert
Inflammability class of insulation material acc. with UL94	V0
Color	brown
Mating cycles	100
Pollution degree	3
Modular version	yes
Operating temperature range min.	-40 °C
Operating temperature range max.	120 °C

Connection Data

Connection type	screw connection
Number of poles	1
Plus switching contacts	0
Number of pole for rated current 2	0
Number of pole for rated current 3	0
Total number of poles (without ground contact)	1
With wire protection	No
Min. conductor diameter rigid (solid/stranded)	10 mm ²
Max. conductor diameter rigid (solid/stranded)	25 mm ²
Protective contact	yes

Technical Data UL/CSA

Rated voltage according to UL/CSA	600 V
-----------------------------------	-------

Rated current according UL	82 A
Rated current according CSA	82 A
Min. conductor cross section flexible wire	10 mm ²
Max. conductor cross section flexible wire	25 mm ²
Conductor cross section flexible AWG wire	8-4 AWG

Model

With housing	No
--------------	----

Contacts

Contact material	Copper alloy
Surface	Silver-plated
Contact resistance	≤ 2 mOhm
Wire strip length	15 mm

Screws head design/recomm. Torque

Clamping screws	M6/2.5 Nm slot
-----------------	----------------

Technical Data DIN EN 61984

Nominal voltage	1000 V
Rated voltage face/ground	1000 V
Nominal current	82 A
Rated impulse voltage	6 kV

Classification

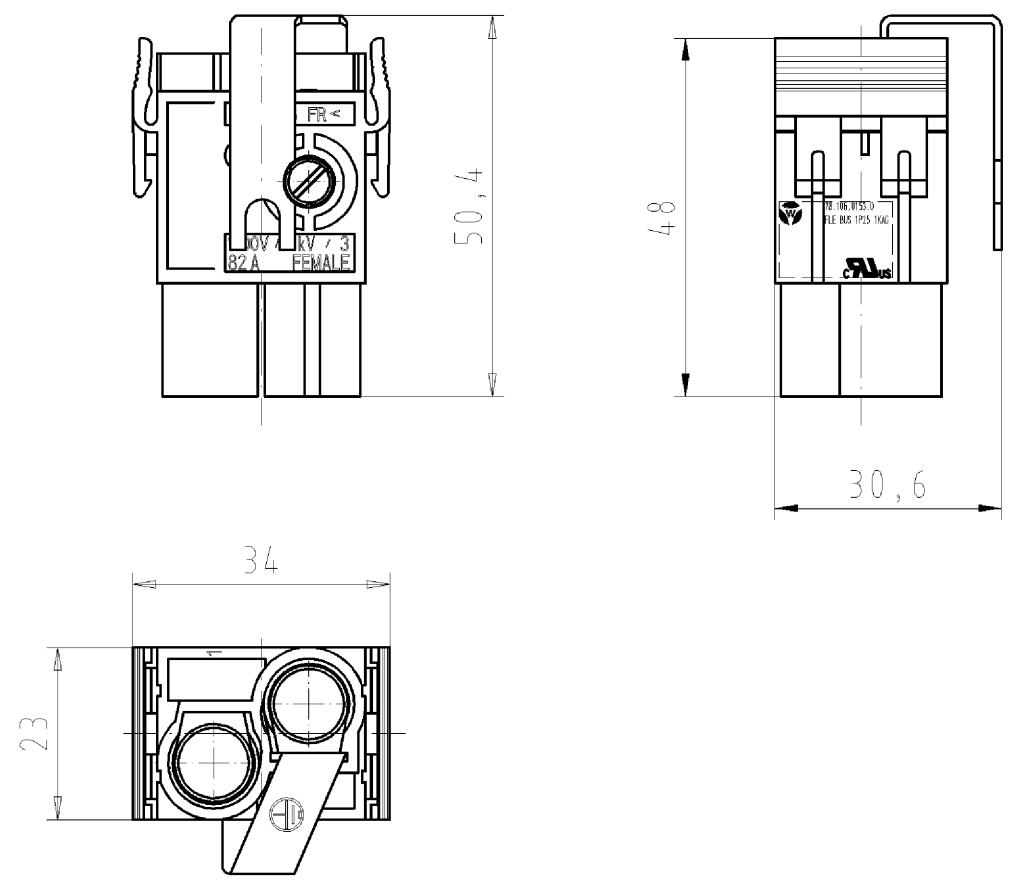
ECLASS 11	
ECLASS 8.1	27440205
ETIM 7.0	EC000438
ETIM 6.0	EC000438
ETIM 5.0	EC000438
ETIM 4.0	EC000438
ETIM 3.0	EC000438

Product compliance

ROHS conformity status	Compliant
REACH-SVHC conformity status	Compliant

These dimensions will be especially checked at delivery
Only inspection dimensions
With /E marked dimensions are only valid for internal use

Diese Maße werden bei Abnahme besonders geprüft
Ausschließlich Prüfmaße
Mit /E gekennzeichnete Maße sind nur für interne Zwecke gültig



Technische Daten
Technical Data

	VDE	CURUS
Bemessungsspannung V rated voltage	1000	600
Bemessungsstrom A rated current	82	82
Anschlußbereich max. mm ² /AWG connection range	25	8-4
Bemessungsdaten rated data	1000V-82A/8kV/3	
Klemmschraube clamping screw	M 6	
Kontaktbasismaterial contact basis material	CuZn	
Diffusionsperre diffusion barrier	≥2 μm Ni	
Kontaktoberfläche contact surface	≥2 μm Ag	
Isoliermaterial insulating material	PA6.6	
Brennbarkeitsklasse UL 94 V-0 halogenfrei flamability rating UL 94 V-0 halogenfree	1 Arbeits- und 1 PE-Kontakt 1 make contact and 1 earth contact	

Teile-Nr. part no.	Wieland-Typ	Polzahl n pole n
78.106.0153.0	FLE BUS 1P 25 1K AG	1

Weitere Daten siehe Katalog
further data see catalog

Tolerierung nach DIN 7167/Tolerance system acc. to DIN 7167.
[This DIN-standard describes the envelope principle. According to the envelope principle the deviations of form and parallelism are limited by the size tolerances].

ja/yes Stoffverbots- und Deklarationsliste nach UU-TQM-05/03 ist einzuhalten.
Conformity with Wieland document UU-TQM-05/03 (list of prohibited / declarable hazardous substances) to be declared!

Freitoleranz nach -
General tolerance

CAD - Zeichnung, keine manuellen Änderungen
CAD - drawing, no manual modifications allowed

1. Verwendung: -
First Use:

Blatt: 1 von 1
Sheet: of 1

/		Werkstoff/Material	2005	Tag/Date	Name	Zeichnung Nr./Drawing No. 78.106.0153.0 01K	Index	
/		Farbe: Braunrot	gezeichnet drawn	29.08.	Duetsch			
/		Maßstab/Scale	colour: brown red	geprüft checked	-			-
/		%		Normgepr. Stand. check	-			-

Maße in mm/Dimensions are in mm

Vol. mm³ Öl./Surf. mm² Ersatz für/Replacement for: -

/		Type	Benennung/Title
/		Elektrische Verbindungen	HOCHSTROMBUCHSENMODUL_1_POLIG high current socket module

Index Datum / Blatt
Date / Sheet

Änderung/Revision

Montageanleitung A 1894.001 beiliegend
Assembly instruction being attached

Weitergabe sowie Vervielfältigung dieses Dokuments, Verwertung und Mitteilung seines Inhalts sind verboten, soweit nicht ausdrücklich gestattet. Die Reproduktion, Distribution und Utilization of this document as well as the communication of its contents to others without express authorization is prohibited.

781060153001K_4_CADW027 duetsch 2005-08-30T15:07:02 1.000