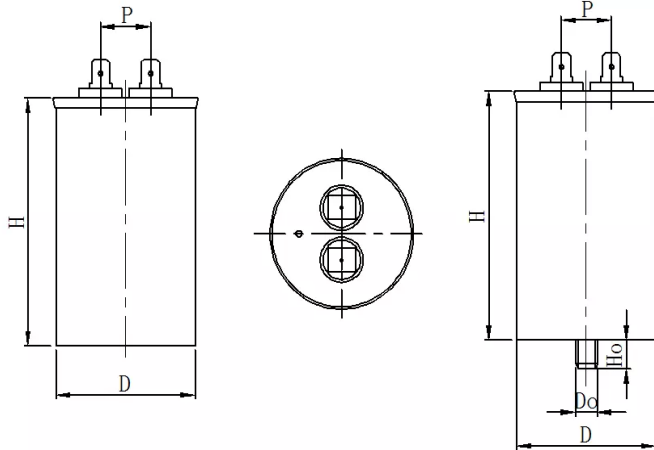


CBB65 AC Motor Capacitor (Column, Aluminum case, Explosion-proofed)



Outline Drawing



Features:

Widely applied to the starting and running of AC single-phase motors at 50Hz/60Hz frequency power.

Self-healing property

Good stability and reliability

Safer with Explosion-proofed design

Round capacitor, can be provided oval capacitor

Single capacitor, can be provided double capacitor.

Application:

This capacitor widely used for air-conditioners refrigerators, generators, illuminating lamps etc.

Specifications

Reference standards	GB/T 3667.1 (IEC60252-1)
Climatic category	40 / 70 / 21、 40 / 85 / 21
Class of operation	Class B (10000h) Class C (3000h)
Class of safety protection	S0/S2
Voltage range	250VAC、 370VAC、 440VAC、 450VAC
Capacitance range	2~100 μ F
Capacitance tolerance	$\pm 5\%$ 、 $\pm 10\%$ 、 $\pm 15\%$
Dissipation factor	20×10^{-4} (100Hz, 20°C)
Test voltage terminal to terminal U_{TT}	2 U_n for 2 seconds
Test voltage terminal to case U_{TC}	(2 U_n +1000) VAC or 2000VAC- 50Hz for 60 seconds
Insulation Resistance	$\geq 3000s$ (100Hz, 20°C, 1min)

Dimensions(mm)

NO.	格 production specifications	terminal	size
1	CBB65-450VAC 1 μ F ~9 μ F	2*4, 2*2 or 4*4	ϕ 40*60
2	CBB65-450VAC-10 μ F	2*4, 2*2 or 4*4	ϕ 40*60
3	CBB65-450VAC-12.5 μ F	2*4, 2*2 or 4*4	ϕ 40*70
4	CBB65-450VAC-15 μ F	2*4, 2*2 or 4*4	ϕ 45*70
5	CBB65-450VAC-20 μ F	2*4, 2*2 or 4*4	ϕ 50*75
6	CBB65-450VAC-25 μ F	2*4, 2*2 or 4*4	ϕ 50*85
7	CBB65-450VAC-30 μ F	2*4, 2*2 or 4*4	ϕ 50*100
8	CBB65-450VAC-35 μ F	2*4, 2*2 or 4*4	ϕ 50*100
9	CBB65-450VAC-40 μ F	2*4, 2*2 or 4*4	ϕ 50*100
10	CBB65-450VAC-45 μ F	2*4, 2*2 or 4*4	ϕ 50*100
11	CBB65-450VAC-50 μ F	2*4, 2*2 or 4*4	ϕ 50*125
12	CBB65-450VAC-55 μ F	2*4, 2*2 or 4*4	ϕ 50*125
13	CBB65-450VAC-60 μ F	2*4, 2*2 or 4*4	ϕ 50*125
14	CBB65-450VAC-65 μ F	2*4, 2*2 or 4*4	ϕ 55*125
15	CBB65-450VAC-70 μ F	2*4, 2*2 or 4*4	ϕ 55*125
16	CBB65-450VAC-80 μ F	2*4, 2*2 or 4*4	ϕ 60*125
17	CBB65-450VAC-90 μ F	2*4, 2*2 or 4*4	ϕ 60*125
18	CBB65-450VAC-100 μ F	2*4, 2*2 or 4*4	ϕ 63.5*125

Note: Other specifications and size、terminal outside table are negotiable.