

Data sheet

Commercial Art.No.: 93.422.0353.1

Device connector BST14i2F S1 R S GN01

Device connectors, snap-in panel mount, BST14i2, 2 pole, male, spring clamp connection, 50V/3A, color of coding: green, color of frame: black



Commercial Art.No.	93.422.0353.1
EAN	4015573442566
Order Unit	1

Certificates / Approvals



Technical data

General

Rated current	3 A
Rated voltage	50 V
Pollution degree	2
Mechanical coding	yes
Rated impulse voltage	0.8 kV
Lockable	self-locking (unlocking by hand)
Color of coding/ contact carrier	green
Marking of poles	1+, 2-
Color of separate adapter (if present)	black

Connection Data

Connection cross section solid mm ² max.	0.75 mm ²
Connection cross section solid mm ² min.	0.25 mm ²
Terminations per pole	1
Wire strip length	9 mm

Model

Model	male
Connection type	spring clamp connection
Angle of plug	straight
Degree of protection (IP)	IP20
Thickness of housings (electrical device) 2	0.5 mm
Thickness of housings (electrical device)	1.5 mm

built-in component	snap-in
--------------------	---------

Material

Housing material	Polyamide
halogen free	yes
Contact material	CuBe
Fire load	0.03 kWh
Insulation components continuous temperature	100 °C
Surface finish	Gilt

Dimensions

Length	29.9 mm
Width	19.6 mm
Height	19.6 mm

Classification

ECLASS 11	
ECLASS 8.1	27440602
ETIM 7.0	EC002566
ETIM 6.0	EC002566
ETIM 5.0	EC002566
ETIM 4.0	EC002566

Product compliance

ROHS conformity status	Compliant
REACH-SVHC conformity status	Compliant

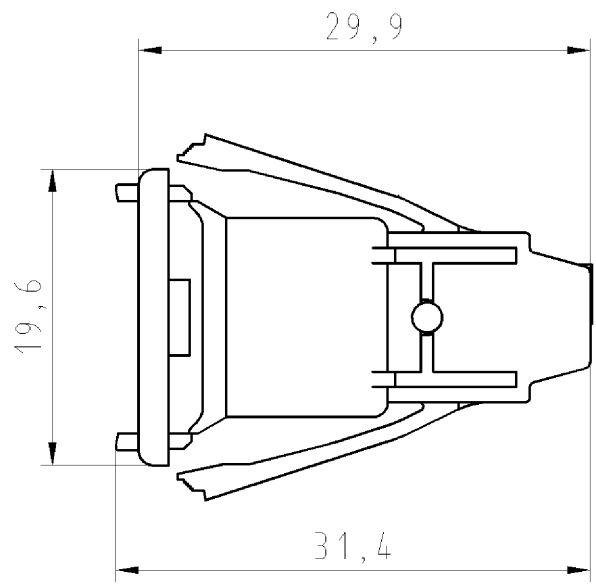
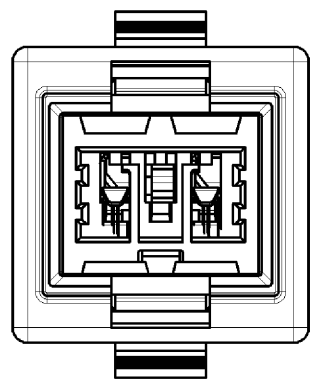
Accessories

Commercial Art.No.:	Article-type description:	Description:
07.425.8453.0	Cover BST14/GST15i2/RJ45 WS	Cover to close unused openings for BST14 panel mounts. Cover: white

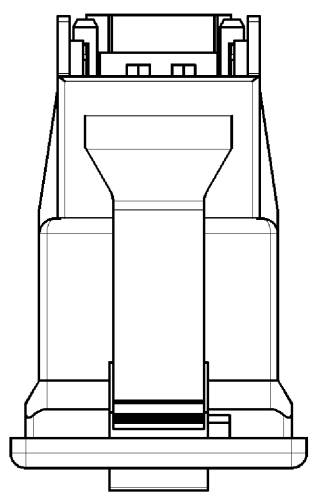
Fits with

Commercial Art.No.:	Article-type description:	Description:
93.421.0553.1	Connector BST14i2F B1 ZR1 S MGN01	Connector BST14i2, 2 pole, female, spring clamp connection, 50V/3A, color of coding: green, color of housing: black

These dimensions will be especially checked at delivery
 Only inspection dimensions
 With /E marked dimensions are only valid for internal use



Diese Maße werden bei Abnahme besonders geprüft
 Ausschließlich Prüfmaße
 Mit /E gekennzeichnete Maße sind nur für interne Zwecke gültig

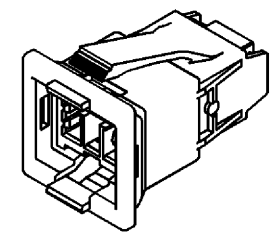
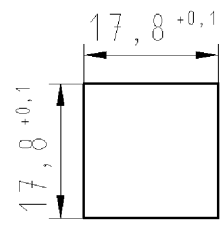


Gehäuseausschnitt

Blechdicke 0,5 - 1,5 mm

Section of housing

Material thickness 0,5 - 1,5 mm



M1:1

Weitere Daten siehe Katalog
 further data see catalog

Weitergabe sowie Vervielfältigung dieses Dokuments, Verwertung und Mitteilung seines Inhalts sind verboten, soweit nicht ausdrücklich gestattet. Die Reproduktion, Distribution und Utilization of this document as well as the communication of its contents to others without express authorization is prohibited.

Teile-Nr. part-no.	Typ type	Farbe colour
93.422.0353.0	BST1412F S1 R W GN01	weiß /white
93.422.0353.1	BST1412F S1 R S GN01	schwarz/black

Tolerierung nach DIN 7167/Tolerance system acc. to DIN 7167. (This DIN-standard describes the envelope principle. According to the envelope principle the deviations of form and parallelism are limited by the size tolerances). ja/yes Stoffverbots- und Deklarationsliste nach UU-TQM-05/03 ist einzuhalten. Conformity with Wieland document UU-TQM-05/03 (list of prohibited / declarable hazardous substances) to be declared!

Freitoleranz nach General tolerance CAD - Zeichnung, keine manuellen Änderungen CAD - drawing, no manual modifications allowed 1.Verwendung: - First Use: - Blatt: 1 von 1 Sheet: 1 of 1

/			Werkstoff/Material	2006	Tag/Date	Name	Zeichnung Nr./Drawing No.	Index	
/				gezeichnet drawn	14.03.	Schmitt J.			93.422.0353.1 01K
/		Maßstab/Scale 2:1		geprüft checked	-	-	Maße in mm/Dimensions are in mm		
/				Vol.	mm ³	Off./Surf.			mm ²
/			Type				Benennung/Title		
/			wieland						
Index	Datum / Blatt Date / Sheet		Elektrische Verbindungen						
Änderung/Revision									