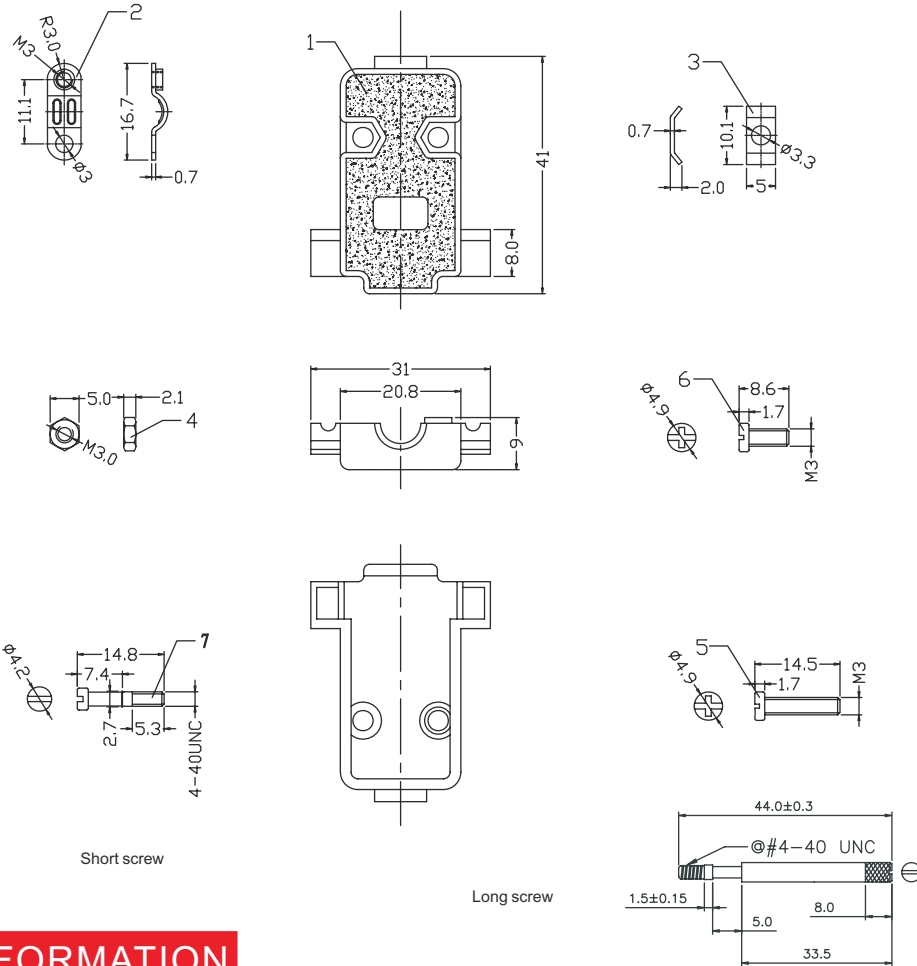


Connector

D-SUB Series

KLS1-DB D-SUB HOOD PLASTIC MATERIAL 09-37Pin

Cover Material: ABS Plastic
Screw Material: STEEL



ORDER INFORMATION

Product NO.: KLS1-DB0 9P L G

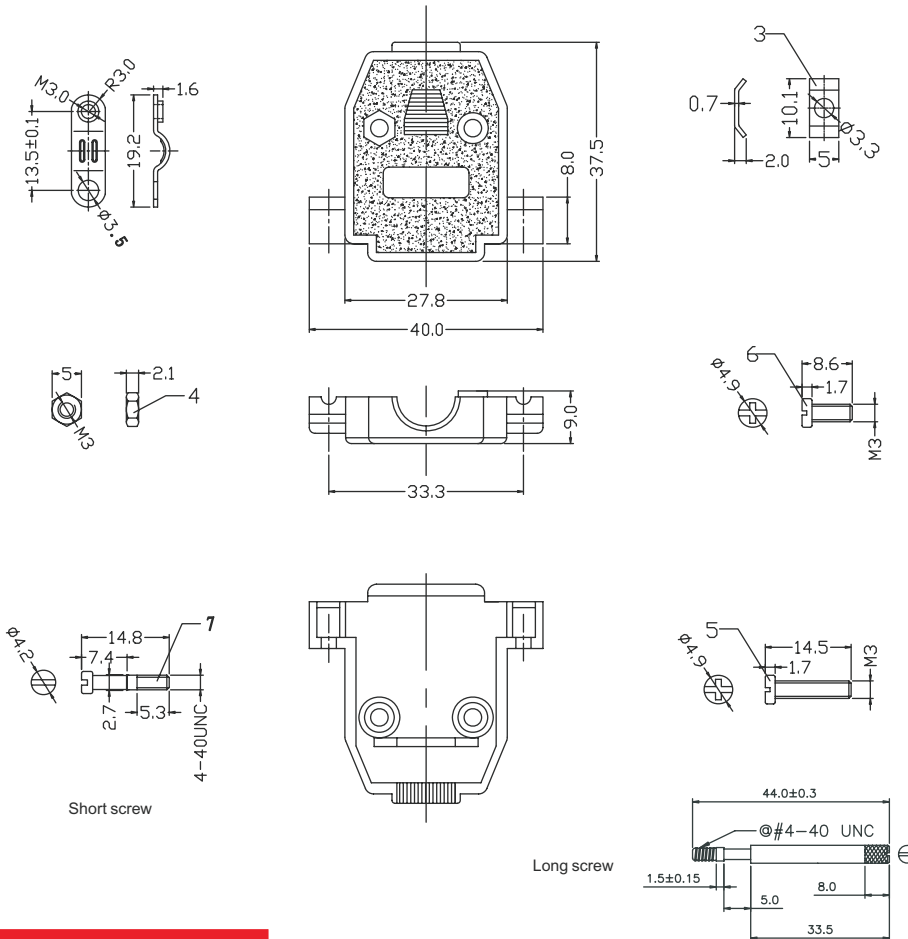
Pos. NO. _____ Color: G-Gray B-Black
001=001 pos. _____ L: Long screw
S: Short screw
Contact Number of Row _____ Number of Contacts
DB=D-SUB HOOD PLASTIC MATERIAL

All specification & dimensions are subject to change, please call your nearest KLS sales representative for update information

D-SUB Series

KLS1-DB D-SUB HOOD PLASTIC MATERIAL 09-37Pin

Cover Material: ABS Plastic
Screw Material: STEEL



ORDER INFORMATION

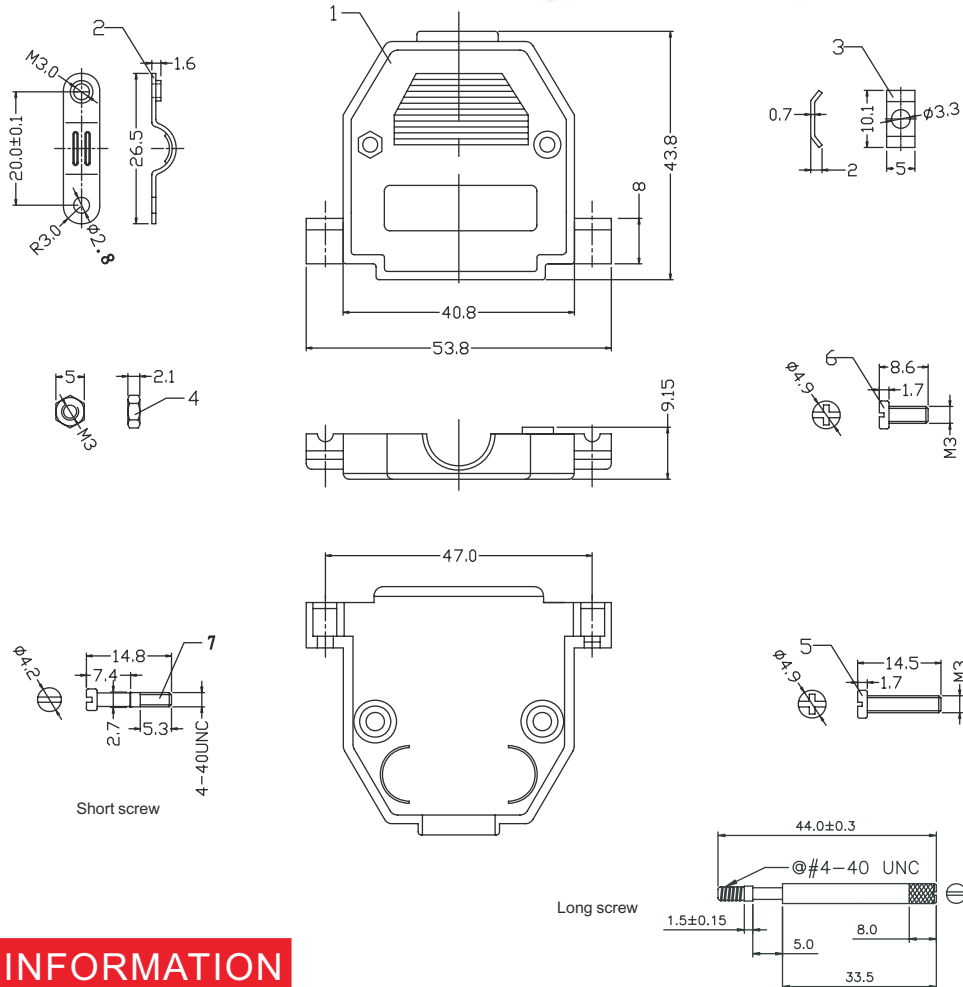
Product NO.: **KLS1-DB-15P-L G**

Pos. NO.	_____	Color: G-Gray B-Black
001=001 pos.	_____	L : Long screw
Contact Number of Row	_____	S : Short screw
DB=D-SUB HOOD PLASTIC MATERIAL	_____	Number of Contacts

D-SUB Series

KLS1-DB D-SUB HOOD PLASTIC MATERIAL 09-37Pin

Cover Material: ABS Plastic
Screw Material: STEEL



ORDER INFORMATION

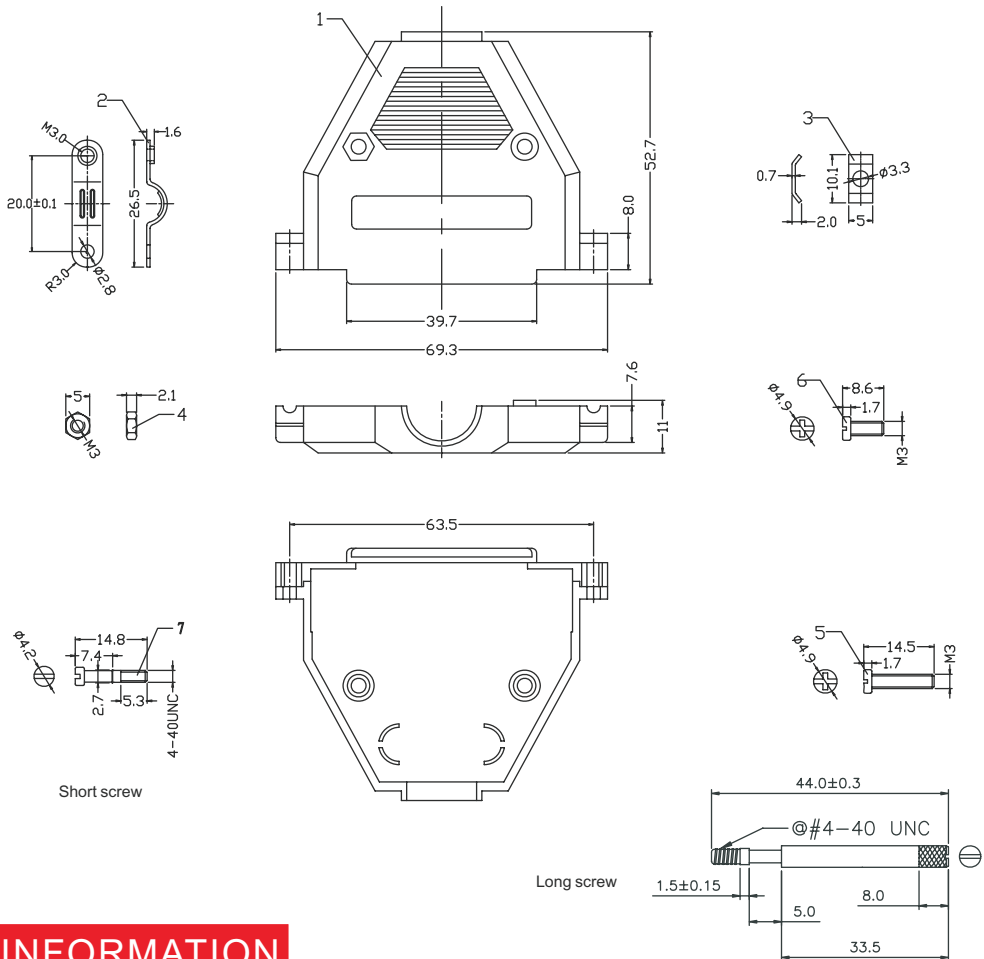
Product NO.: KLS1-DB-25P-L G

Pos. NO.	_____	Color: G-Gray B-Black
001=001 pos.	_____	L : Long screw
Contact Number of Row	_____	S : Short screw
DB=D-SUB HOOD PLASTIC MATERIAL	_____	Number of Contacts

D-SUB Series

KLS1-DB D-SUB HOOD PLASTIC MATERIAL 09-37Pin

Cover Material: ABS Plastic
Screw Material: STEEL



ORDER INFORMATION

Product NO.: KLS1-DB-37P-L G

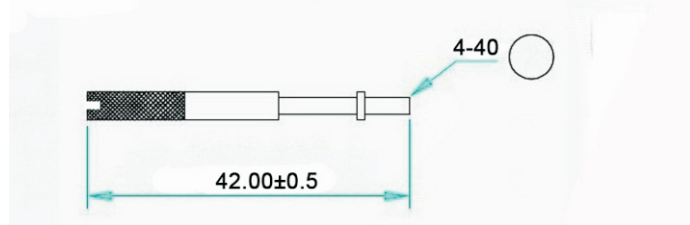
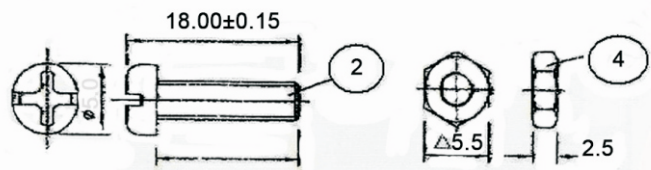
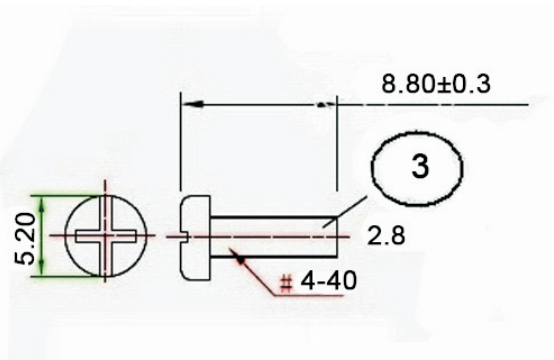
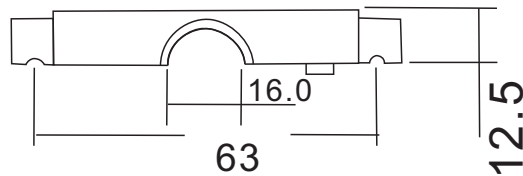
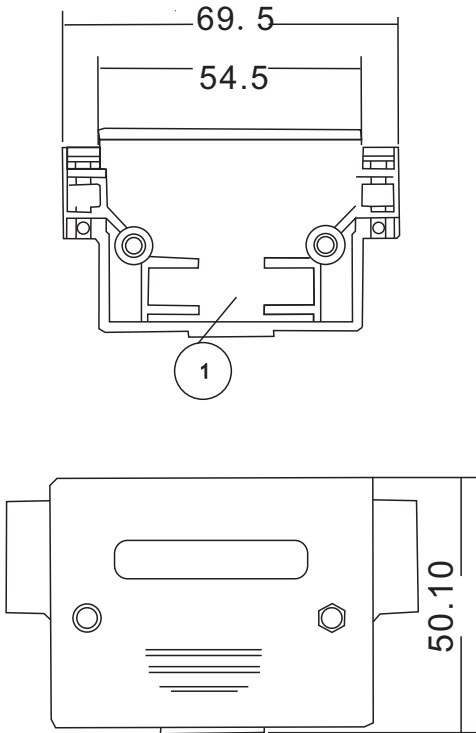
Pos. NO. _____ Color: G-Gray B-Black
001=001 pos. _____ L: Long screw
S: Short screw
Contact Number of Row _____ Number of Contacts
DB=D-SUB HOOD PLASTIC MATERIAL

All specification & dimensions are subject to change, please call your nearest KLS sales representative for update information

D-SUB Series

KLS1-DB D-SUB HOOD PLASTIC MATERIAL 09-37Pin

Cover Material: ABS Plastic
Screw Material: STEEL



Project	Name	Number	Material
①	Upper and lower shells	1 SRT	ABS
②、③	Screw	2 PCS	Iron nickel plating
④	Fixed nut	2 PCS	
⑤	Fixed wire clamp	2 PCS	
⑥	Slotted screwdriver	2 PCS	

ORDER INFORMATION

Product NO.: KLS1-DB-50P-L G

Pos. NO. _____ Color: G-Gray B-Black
001=001 pos. _____ L: Long screw
S: Short screw
Contact Number of Row _____ Number of Contacts
DB=D-SUB HOOD PLASTIC MATERIAL