

Research for Frequency Products

Description

This is AT-cut Stripe crystal unit in low profile SMD hermetical seal metal package. This crystal is suitable for Universal applications in CPU clock, iDTV, DBS, WLAN, Automotive....
Coverage wide frequency between 3.2768MHz ~ 100MHz.
Parts are supplied 1000pcs in 12mm embossed tape as standard.

Crystal Unit SMD Low Profile

Height 4.0mm
13.4 x 4.7x4.0mm
3.2768MHz ~ 100.000MHz



Features

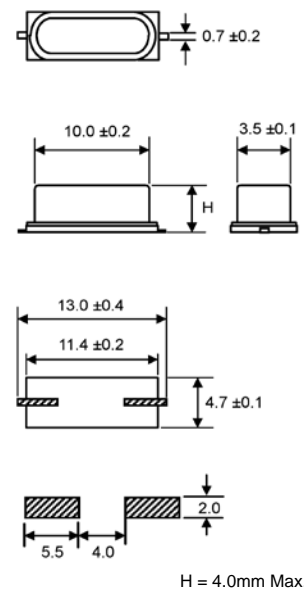
Tight Tolerance ± 10 ppm at room temp. available
Tight Stability ± 2.5 ppm available
Low crystal impedance
Full SMD PCB Assembly

RoHS Compliant

Standard Parameters

Parameter	Specifications
Frequency Range	3.2768MHz ~ 100.00MHz
Vibration Mode	Fundamental/3 rd Overtone
Frequency Tolerance @25°C	± 30 ppm (± 10 ppm option)
Frequency Stability vs Temp Range	± 50 ppm (± 2.5 ppm option)
Operating Temp. Range	-10~+60 °C or -20~+70 °C
Load Capacitance (pF)	8 ~ 32pF or Series
Drive Level	100 μ W Max.
Shunt Capacitance	7.0pF Max.
Insulation Resistance	500M Ω Min. @ 100VDC
Aging per year	± 5 ppm
Storage Temp. Range	-40 ~ 125 °C

Outlines and Dimensions



Equivalent Series of Resistance

Frequency (MHz)	ESR (Max)
3.2768	200
3.5795 ~ 3.999	150
4.000 ~ 4.999	120
5.000 ~ 5.999	100
6.000 ~ 9.999	80
10.000 ~ 11.999	60
12.000 ~ 13.999	50
14.000 ~ 29.999	40
30.000 ~ 38.000	30
38.001 ~ 100.000 3 rd Overtone	80



Subject to change without notice

CALTRON DEVICES LTD.

www.caltron.com.hk

(852) 24223407 sales@caltron.com.hk