

## Data sheet

Commercial Art.No.: 96.051.5053.9

Device connector RST20i5S B1 M01 BL0

RST20i5 device connector M25, 5 pole, female, screw connection, application 250/400V, 20A, coding color light blue



Commercial Art.No.	96.051.5053.9
EAN	4015573983786
Order Unit	1

Certificates / Approvals



LR

RINA



## Technical data

### General

Rated current	20 A
Rated voltage	250 V / 400 V
Pollution degree	3
Rated impulse voltage	4 kV
Lockable	self-locking (unlocking by tool)
Color of coding/ contact carrier	light blue
Marking of poles	1, 2, 3, 4, 5

### Connection Data

Connection cross section solid mm <sup>2</sup> max.	4 mm <sup>2</sup>
Connection cross section solid mm <sup>2</sup> min.	0.75 mm <sup>2</sup>
Connection cross section solid AWG min.	18 AWG
Connection cross section solid AWG max.	14 AWG
Connection cross section fine stranded mm <sup>2</sup> max.	4 mm <sup>2</sup>
Connection cross section fine stranded mm <sup>2</sup> min.	0.75 mm <sup>2</sup>
Terminations per pole	1
Wire strip length	8 mm
Connection cross section stranded AWG min.	18 AWG
Connection cross section stranded AWG max.	14 AWG

### Model

Model	female
Connection type	screw connection
Connecting thread metric	M25

Angle of plug	straight
Degree of protection (IP)	IP66/68 (3m;2h) /IP69
Thickness of housings (electrical device) 2	0.5 mm
Thickness of housings (electrical device)	8 mm

#### Material

Housing material	Polyamide
halogen free	yes
Contact material	CuZn
Fire load	0.132 kWh
Insulation components continuous temperature	100 °C
Surface finish	Silver-plated

#### Dimensions

Length	51.4 mm
Width	35 mm
Height	35 mm

#### Classification

ECLASS 11	
ECLASS 8.1	27440602
ETIM 7.0	EC002566
ETIM 6.0	EC002566
ETIM 5.0	EC002566
ETIM 4.0	EC002566

#### Note

Note	RST® terminals with screw clamping allow the connection of conductors without special preparation (without ferrules) according to EN 60999-1.; Positioning realised with flattened thread
------	---

#### Product compliance

ROHS conformity status	Compliant/Exempted
ROHS exceptions	III-6(c)
REACH-SVHC conformity status	Duty-To-Declare
REACH-SVHC substances	Lead
REACH-SVHC CAS numbers	7439-92-1

#### Accessories

Commercial Art.No.:	Article-type description:	Description:
99.530.0000.7	Cover for female connector SW	RST20i5/4 cover piece, for covering unused female connectors, with fastening belt, color black
Z5.565.9853.1	Cover for female connector SW	RST20i5/4 cover piece, for covering unused female connectors, color black
05.564.8653.1	Opener RST20i3/i5 SCHWARZ	Manual disconnect for later installation of RST connectors, color black

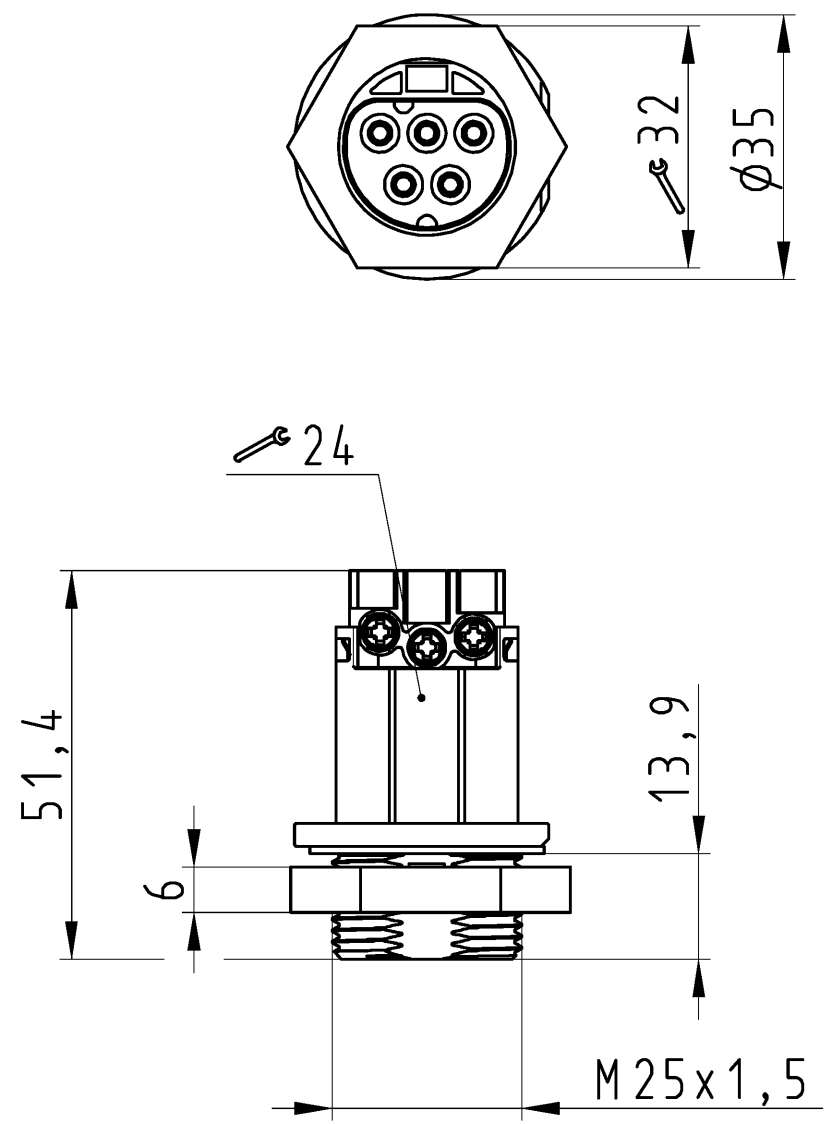
#### Fits with

Commercial Art.No.:	Article-type description:	Description:

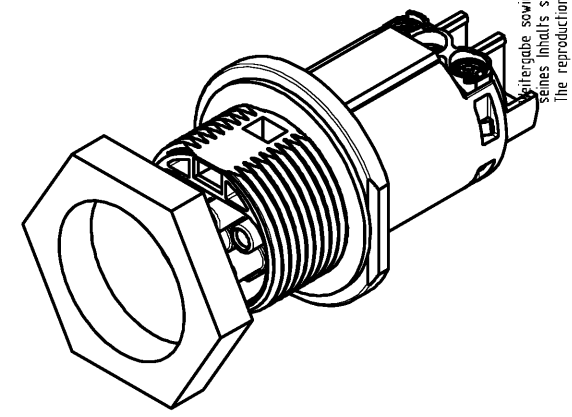
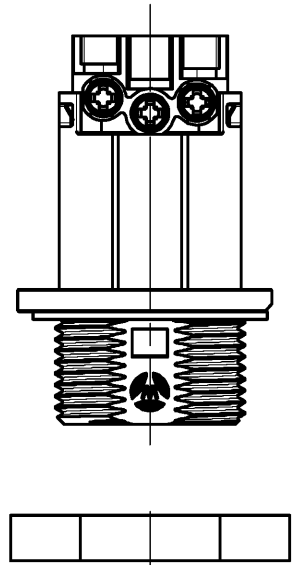
96.052.4053.9	Connector RST20i5S S1 ZR1SV BL0	RST20i5 connector, 5 pole, male, screw connection, application 250/400V, 20A, for cable diameters 6-10mm, coding color light blue, color of housing black
96.052.4153.9	Connector RST20i5S S1 ZR2SV BL0	RST20i5 connector, 5 pole, male, screw connection, application 250/400V, 20A, for cable diameters 10-14mm, coding color light blue, color of housing black
96.052.4553.9	Connector RST20i5S S1 ZR3SV BL0	RST20i5 connector, 5 pole, male, screw connection, application 250/400V, 20A, for cable diameters 14-18mm, coding color light blue, color of housing black
96.054.4053.9	Connector RST20i5S S1 YR1SV BL07	RST20i5 connector (90° angled), 5 pole, male, screw connection, application 250/400V, 20A, for cable diameters 6-10mm, coding color light blue, color of housing black
96.054.4153.9	Connector RST20i5S S1 YR2SV BL07	RST20i5 connector (90° angled), 5 pole, male, screw connection, application 250/400V, 20A, for cable diameters 10-14mm, coding color light blue, color of housing black

These dimensions will be especially checked at delivery  
 Only inspection dimensions  
 With /E marked dimensions are only valid for internal use

Diese Maße werden bei Abnahme besonders geprüft  
 Ausschließlich Prüfmaße  
 Mit /E gekennzeichnete Maße sind nur für interne Zwecke gültig



Auslieferungszustand  
 delivery status



Verpackungseinheit: je 100 Stück  
 packaging unit: per 100

96.051.5053.9	RST2015S B1 M01 BL07	lichtblau /lightblue
Bestellnummer /Order number	Typ /Type	Farbe /color
Weitere Daten siehe KATALOG oder eKatalog. Additional data see CATALOG or eCatalog.		www.wieland-electric.com eshop.wieland-electric.com

Öffnungsmassbild siehe 96.031.1053.1 14K  
 opening dimension see 96.031.1053.1 14K

Tolerierung Size ISO 14405(®)/Tolerance system Size ISO 14405(®). (This ISO-standard describes the envelope principle. According to the envelope principle the deviations of form and parallelism are limited by the size tolerances).		ja/yes <input checked="" type="checkbox"/> Stoffverbots- und Deklarationsliste nach WN 5020.010 ist einzuhalten. Conformity with Wieland document WN 5020.010 e (list of prohibited / declarable hazardous substances) to be declared!	
Freitoleranz nach General tolerance		CAD - Zeichnung, keine manuellen Änderungen CAD - drawing, no manual modifications allowed	1.Verwendung: - First Use:
Blatt: 1 von 1 Sheet: of 1		Zeichnung Nr./Drawing No. 96.051.5053.9 13K	
Werkstoff/Material		2015 Tag/Date	Name
Maßstab/Scale 1:1		gezeichnet drawn 10.07.	Nagengast F.
Vol. mm³ Of l./Surf. mm²		geprüft checked	
Ersatz für/Replacement for: -		Normgepr. Stand. check	
www.wieland-electric.com		Type Benennung/Title BUCHSENTEIL female connector	
Index	Datum / Blatt Date / Sheet		
Änderung/Revision			

Entgeltliche Vervielfältigung dieses Dokuments, Verwertung und Mitteilung seines Inhalts sind verboten, soweit nicht ausdrücklich gestattet. Die Reproduktion, Distribution und Nutzung dieses Dokuments sowie die Kommunikation der Inhalte an Dritte ohne schriftliche Genehmigung ist ausdrücklich untersagt.