

# MAXI Blade Fuses - Aftermarket

## Rated 32V



### Specifications

|   |   |
|---|---|
| <b>Voltage Rating:</b>                        | 32 V dc   |
| <b>Interrupting Rating:</b>                   | 1000 A @ 32 V dc                                    |
| <b>Recommended Environmental Temperature:</b> | -40 °C to +125 °C                                   |
| <b>Terminals Material:</b>                    | Silver-plated zinc alloy and Tin-plated zinc alloy* |
| <b>Housing Material:</b>                      | PA66 (UL 94 Flammability rating of V-2)             |
| <b>Net Weight Per Fuse:</b>                   | 5.7g ± 5%   |
| <b>Comply With:</b>                           | SAE J 1888, SAE 2576, and ISO 8820-3:2002(E)        |

\*Tin-plating's temperature limit is =130 °C, Silver- plating allows up to 150 °C at the interface.

### Applications

- Color coding indicates ampere rating
- See-through housing makes it easier to see when fuse blows
- High-contrast ampere rating stamp on housing aids identification
- Checkpoints on top make it possible to measure resistance without removing the fuse

### Description

The MAXI™ Slo-Blo® fuses employ diffusion pill technology. This allows the blade fuses to provide predictable time-delay performance and low heat dissipation.

### Features & Benefits

- Cars
- Trucks
- SUVs
- Off-road Vehicles
- Buses
- Watercraft as approved by Littelfuse®

### Ordering Information

| COLOR CODE | CURRENT RATING (A) | BOXED      |           | CARDED     |           |
|------------|--------------------|------------|-----------|------------|-----------|
|            |                    | MATERIAL # | CATALOG # | MATERIAL # | CATALOG # |
| Yellow     | 20A                | OMAX020.X  | MAX20     | OMAX020.XP | MAX20BP   |
| Green      | 30A                | OMAX030.X  | MAX30     | OMAX030.XP | MAX30BP   |
| Orange     | 40A                | OMAX040.X  | MAX40     | OMAX040.XP | MAX40BP   |
| Red        | 50A                | OMAX050.X  | MAX50     | OMAX050.XP | MAX50BP   |
| Blue       | 60A                | OMAX060.X  | MAX60     | OMAX060.XP | MAX60BP   |
| Tan        | 70A                | OMAX070.X  | MAX70     | ---        | ---       |
| Clear      | 80A                | OMAX080.X  | MAX80     | OMAX080.XP | MAX80BP   |
| Purple     | 100A               | ---        | ---       | ---        | ---       |

Please refer to the Littelfuse Aftermarket catalog for packaging information.

# MAXI Blade Fuses - Aftermarket

## Rated 32V

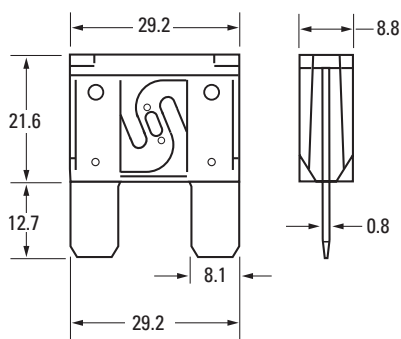
### Ratings

| Part Number | Current Rating (A) | Housing Material Color | Test Cable Size (mm <sup>2</sup> ) | Typ. Voltage Drop (mV) | Typ. Cold Resistance (mΩ) | Typ. I <sup>2</sup> t (A <sup>2</sup> s) |
|-------------|--------------------|------------------------|------------------------------------|------------------------|---------------------------|--|
| OMAX020_    | 20                 | Yellow                 | 4                                  | 76                     | 3.10                      | 1,100                                    |
| OMAX030_    | 30                 | Green                  | 4                                  | 77                     | 1.95                      | 4,100                                    |
| OMAX040_    | 40                 | Orange                 | 4                                  | 75                     | 1.42                      | 8,500                                    |
| OMAX050_    | 50                 | Red                    | 6                                  | 73                     | 1.10                      | 11,300                                   |
| OMAX060_    | 60                 | Blue                   | 6                                  | 77                     | 0.89                      | 15,300                                   |
| OMAX070_    | 70                 | Brown                  | 10                                 | 61                     | 0.64                      | 21,200                                   |
| OMAX080_    | 80                 | Light Orange           | 10                                 | 62                     | 0.54                      | 43,600                                   |

The typical I<sup>2</sup>t is an average value calculated from the breaking capacity tests by using the melting time before the arcing occurs.

### Dimensions

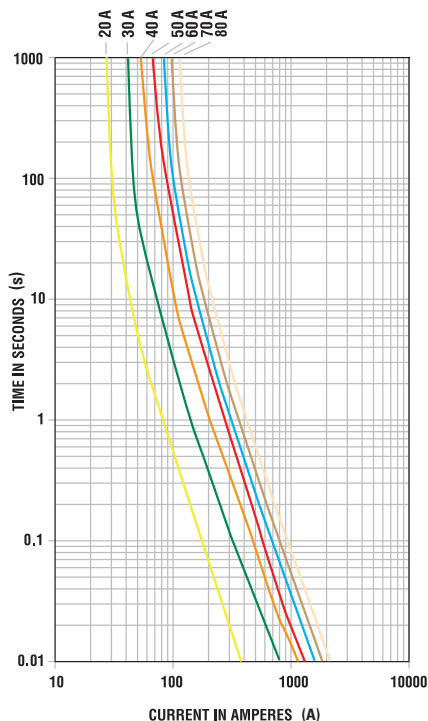
Dimensions in mm for reference only.  
See outline drawing for dimensions and tolerances.



# MAXI Blade Fuses - Aftermarket

## Rated 32V

### Time-Current Characteristic Curves

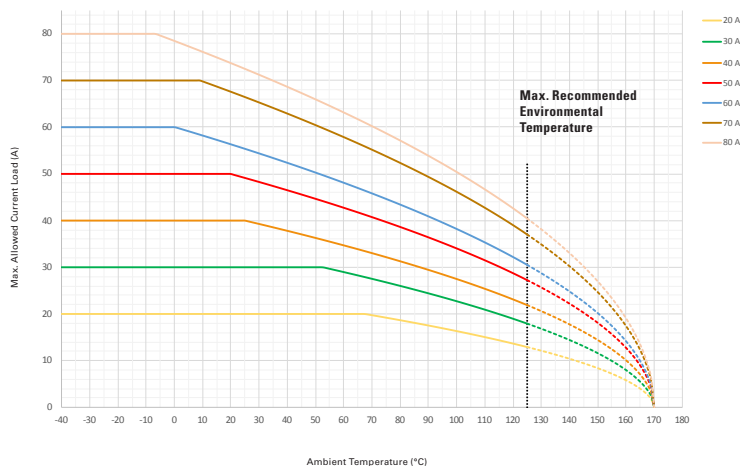


### Time-Current Characteristics

| % of Rating | Opening Time<br>Min. / Max. (s) |
|-------------|---------------------------------|
| 100         | 360,000 / ∞                     |
| 135         | 60 / 1,800                      |
| 200         | 2 / 60                          |
| 350         | 0.2 / 7                         |
| 600         | 0.04 / 1                        |

### Typical Derating of Fuse Melting Element

Temperature security margin is 20 %.  
 Wire cross-section and fixture test setup refer to ISO 8820-3.  
 Please contact Littelfuse for details regarding derating test setup.



Derating curves may change depending on the final condition of the application (terminals' characteristics, wire size, etc.). Please ask Littelfuse® for more information.

### Temperature Table

|             | Max. allowed current load (A) at ambient temperature (typical derating) |      |       |       |       |        |        |
|-------------|---|------|-------|-------|-------|--------|--------|
|             | -40 °C  | 0 °C | 20 °C | 65 °C | 85 °C | 110 °C | 125 °C |
| <b>20 A</b> | 20  | 20   | 20    | 20    | 18    | 15     | 13     |
| <b>30 A</b> | 30  | 30   | 30    | 28    | 25    | 21     | 18     |
| <b>40 A</b> | 40  | 40   | 40    | 34    | 30    | 25     | 22     |
| <b>50 A</b> | 50  | 50   | 50    | 42    | 38    | 31     | 27     |
| <b>60 A</b> | 60  | 60   | 56    | 47    | 42    | 35     | 31     |
| <b>70 A</b> | 70  | 70   | 68    | 57    | 51    | 43     | 37     |
| <b>80 A</b> | 80  | 78   | 74    | 62    | 56    | 47     | 40     |