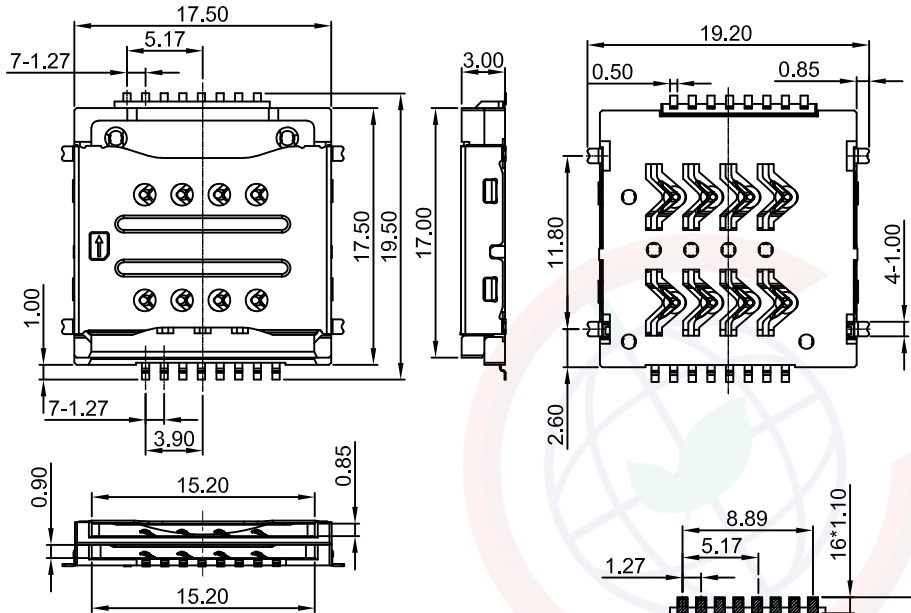


The information provided herein is from CONNELY Electronic Co., Ltd. and is confidential. Any disclosure to a party other than the recipient is prohibited. The intellectual properties and its rights contained herein, including but not limited to, trademarks, patents, copyrights, trade secrets, and technical know-how, are owned exclusively by CONNELY or its affiliates. Unauthorized use of this information in any format or manner. CONNELY may enforce its intellectual property rights at its own discretion; failures or delays to exercise such rights does not constitute a waiver of such rights.

1 2 3 4 5 6 7 8

Dept	
Qty	
DC	1
ED	1
IE	1
ISO	1
PD	1
R&D	1
SD	1
QA	1
QC	1
QE	1

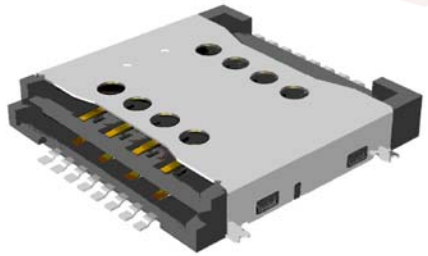
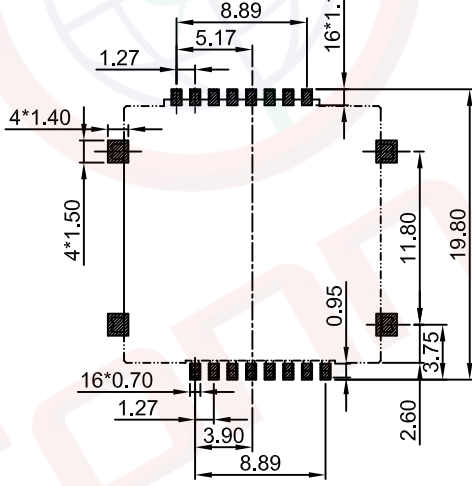
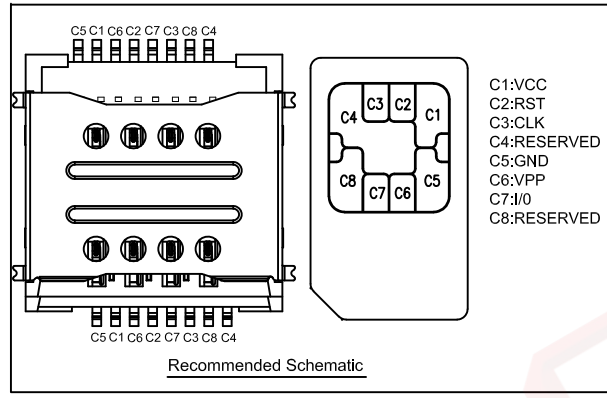
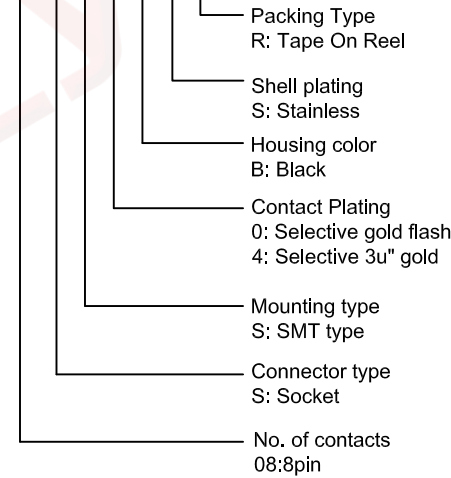
REV.	DESCRIPTION	DRAWN	CHECKED	APPROVED
A	NEW RELEASE	JLZ 10/08/14'		LJC 10/08/14'
C	DRAWING UPDATE	JLZ 08/10/20'		
D	DRAWING UPDATE	JLZ 12/26/23'		
E	DRAWING UPDATE	JLZ 07/16/24'		



Notes

- Material:
 - Housing: High Thermoplastic LCP UL 94v-0 Color Of Black.
 - Contacts: Copper Alloy.
 - Shell:Stainless Steel
- Finish:
 - Contact Area: Gold Over Nickel.
 - Solder Area: Matte Tin.
- Specifications:
 - Operation Temperature: -40°C TO +85°C.
 - Insulation Resistance: 1000MΩ Min.
 - Contact Resistance: 50mΩ max.
 - Withstanding Voltage: 350V AC 1 Min.
 - Voltage Rating: 30V AC/DC.
 - Current Rating: 1.0A.
- Product Numbrt Code:

DS1138-03 - XX X X X X X X



(Series Image-Reference Only)

GENERAL TOLERANCE		ANGLE TOLERANCE	
X.	±0.60	X.	±5°
.X	±0.38	.X	±3°
.XX	±0.25	.XX	±2°

PROJECTION		TITLE	1.27mm SIM Card H=3.0mm
UNITS	mm		8P Dual SMT Type
SHEET SIZE	A4	SERIES	DS1138-03 SERIES

DRAWING TYPE	CUSTOMER		
SCALE	1:1	SHEET	1 OF 1
DRAWING NO.	C-DS1138-03-XXXXXX-E		

晨翔电子有限公司

CONNFLY CONNELY ELECTRONIC CO. LTD

1 2 3 4 5 6 7 8