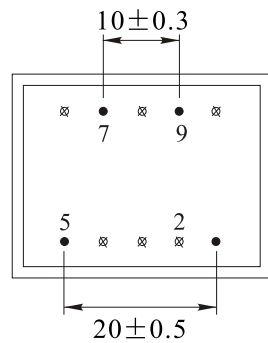
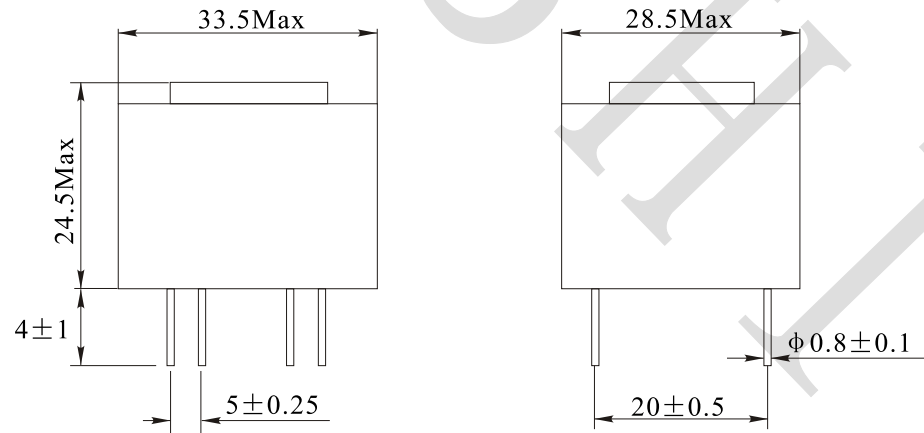


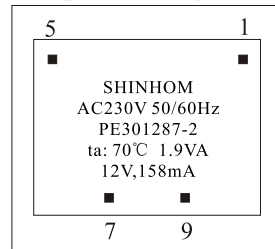
Rev.	Description	Date
A0	New release	2024.04.17

1. PHYSICAL CHARACTERISTICS (mm)



Bottom view

Top marking

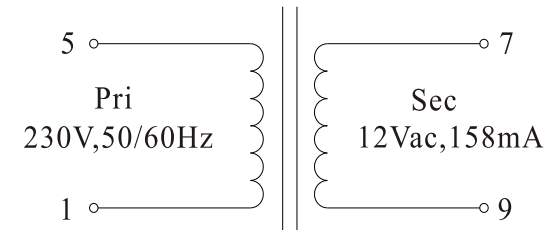


NOTES:

Temp 20°C 48%RH
RoHS Compliant

The Document property belong to SHINHOM & is not allowed to be duplicated without authorization

2. ELECTRONICAL SCHEMATIC



3. ELECTRONICAL SPECIFICATIONS

Pri voltage: 230V, 50Hz

Sec load voltage: 12.0V ± 5% @ 158mA

Noload voltage: 17.2V Ref

Output Power: 1.9VA

Hi-Pot: 4000V, 50Hz, 1mA, 10S Pri to Sec

Note:

- Solderability: leads shall meet MIL-STD-202, Method 208D for solderability.
- Flammability: UL94V-0
- ASTM oxygen index: >28%

NAME:	Potting Transformer		
CUSTOMER P/N:	BV EI 303 2032	DATE:	2024-04-17
SHINHOM P/N:	PE301287-2	REV:	A0
DRAWN BY:	CHECKED BY:	APPROVE BY:	



SHINHOM
SHAANXISHINHOM ENTERPRISE CO LTD