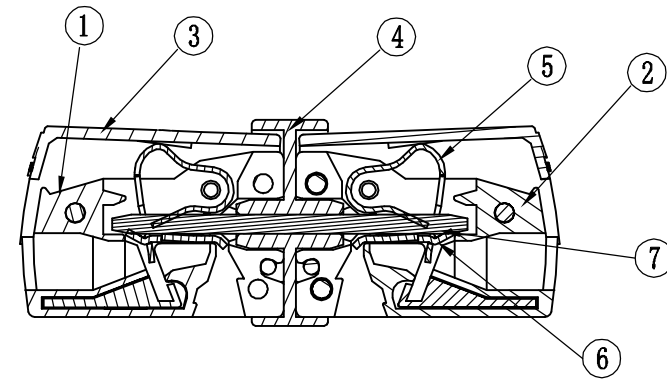
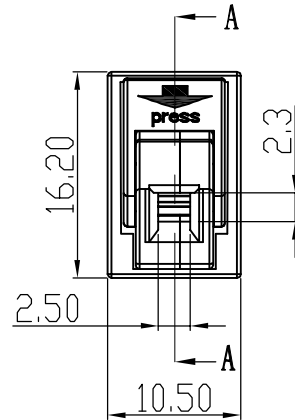
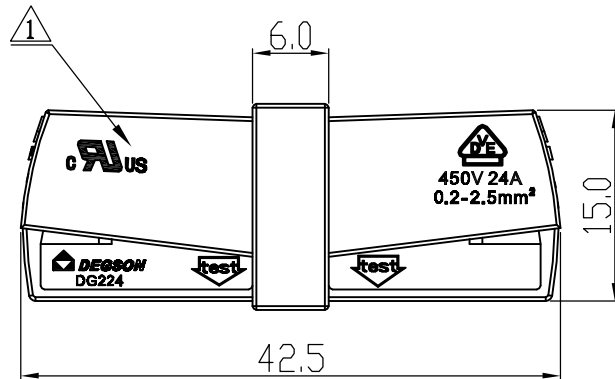
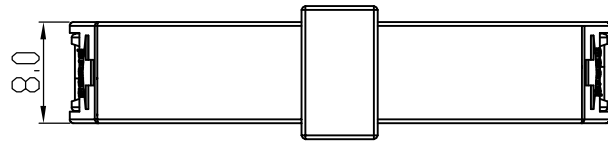


REVISION RECORD				
REV	ECD	DESCRIPTION	DRFT	DATE
▲	10-0166	增加UL刻字	David.G	05/28/10"

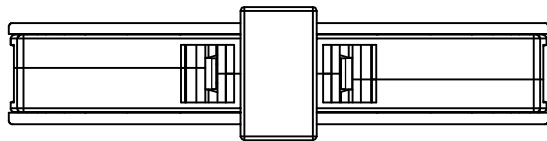
Notes:

1. Rated voltage/current: UL 300V/22A  
IEC 450V/24A
2. Operation temperatures: -40° C~+105° C
3. Insulation Resistance: 5M Ω /DC500V
4. Withstanding voltage: AC2500V/1min
5. Wire Range: 22-12AWG, 0.2-2.5mm<sup>2</sup>
6. Undimensioned Tolerances:

Pitch range in mm			Nominal dimension range in mm					—
to 6	over 6 to 10	over 10 to 24	to 30	over 30 to 60	over 60 to 100	over 100 to 150	—	
±0.10	±0.15	±0.25	±0.3	±0.4	±0.6	±0.8	±1	
							0.05/10	



SECTION A-A



ITEM	NAME OF PART	NO. OF PART	Q'TY	MATERIAL	NOTES
3	DG222-8.0 Cover	3042C0Y01A (H)	2	PA66	UL94V-0
2	DG222-8.0 Housing	3089A0Y01A (H)	2	PA66	UL94V-0
1	DG222-8.0 Housing1	3042A0Y01A (H)	2	PA66	UL94V-0

DETACHED LISTS	MM (INCH)	DATE 11/26/07"	宁波高正电子有限公司 DEGSON ELECTRONICS CO., LTD
	TOLERANCES EXCEPT AS NOTED	DATE	
	MM	DATE	
	0.00 ±	DATE	
	APPVL	DATE	NAME DG224-8.0-01P-1Y-00A(H)
0.00 ±	MATERIAL :	DRAWING NO. DG224-8.0-E01 /PART NO.	
0.00 ±	G.E :		
ANGLES ± 1°	FINISH:	DO NOT SCALE DRAWING	SHEET 1 OF 1
THIRD ANGLE PROJECTION	SCALE : 1:1		

ITEM	NAME OF PART	NO. OF PART	Q'TY	MATERIAL	NOTES
7	DG224 Current carrier	3042B00020 (H)	1	Copper	SnCe
6	DG222 Current carrier	3042B00010 (H)	2	Copper	SnCe
5	DG222 Spring	X000003780 (H)	2	stainless steel	
4	DG224-8.0 Housingmiddle	3042A0Y01D (H)	1	PA66	UL94V-0