

30V P-Channel Enhancement Mode Power MOSFET

Description

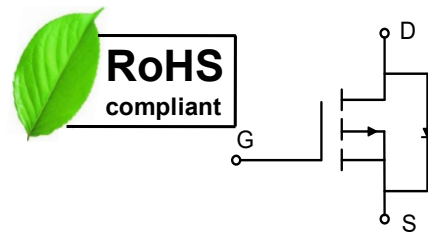
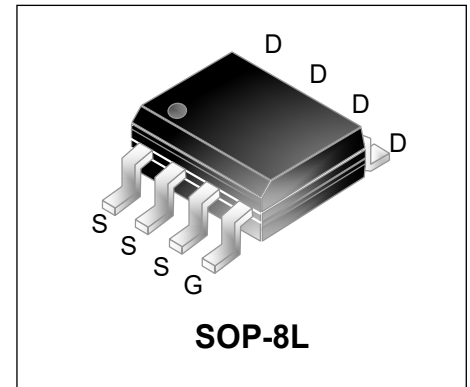
WMS12P03T1 uses advanced power trench technology that has been especially tailored to minimize the on-state resistance and yet maintain superior switching performance.

Features

- $V_{DS} = -30V$, $I_D = -11.5A$
 $R_{DS(on)} < 11m\Omega$ @ $V_{GS} = -10V$
 $R_{DS(on)} < 16m\Omega$ @ $V_{GS} = -4.5V$
- High Power and Current Handling Capability
- Low Gate Charge

Applications

- Power Management Switches
- Battery Protection Applications



Absolute Maximum Ratings ($T_A = 25^\circ C$, unless otherwise noted)

Parameter	Symbol	Value	Unit
Drain-Source voltage	V_{DS}	-30	V
Gate-Source voltage	V_{GS}	± 20	V
Continuous Drain Current	I_D	$T_A = 25^\circ C$	-11.5
		$T_A = 100^\circ C$	-7.3
Pulsed Drain Current ¹	I_{DM}	-45.8	A
Single Pulse Avalanche Energy ²	E_{AS}	80	mJ
Total Power Dissipation	P_D	3	W
Operating Junction and Storage Temperature Range	T_J, T_{STG}	-55 to 150	$^\circ C$

Thermal Characteristics

Parameter	Symbol	Value	Unit
Thermal Resistance from Junction-to-Ambient ³	$R_{\theta JA}$	41.6	$^\circ C/W$

Electrical Characteristics (T_J = 25°C, unless otherwise noted)

Parameter	Symbol	Test Conditions	Min.	Typ.	Max.	Unit
Static Characteristics						
Drain-Source Breakdown Voltage	V_{(BR)DSS}	V _{GS} = 0V, I _D = -250μA	-30	-	-	V
Gate-body Leakage current	I_{GSS}	V _{DS} = 0V, V _{GS} = ±20V	-	-	±100	nA
Zero Gate Voltage Drain Current	T _J =25°C	V _{DS} = -30V, V _{GS} = 0V	-	-	-1	μA
	T _J =100°C		-	-	-100	
Gate-Threshold Voltage	V_{GS(th)}	V _{DS} = V _{GS} , I _D = -250μA	-1.0	-	-2.5	V
Drain-Source On-Resistance ⁴	R_{DS(on)}	V _{GS} = -10V, I _D = -10A	-	8.2	11	mΩ
		V _{GS} = -4.5V, I _D = -10A	-	11	16	
Forward Transconductance ⁴	g_{fs}	V _{DS} = -10V, I _D = -10A	-	24	-	S
Dynamic Characteristics⁵						
Input Capacitance	C_{iss}	V _{DS} = -15V, V _{GS} = 0V, f = 1MHz	-	2205	-	pF
Output Capacitance	C_{oss}		-	298	-	
Reverse Transfer Capacitance	C_{rss}		-	245	-	
Gate Resistance	R_g	f=1MHz	-	10	-	Ω
Switching Characteristics⁵						
Total Gate Charge	Q_g	V _{GS} = -10V, V _{DS} = -15V I _D = -10A	-	30	-	nC
Gate-Source Charge	Q_{gs}		-	5	-	
Gate-Drain Charge	Q_{gd}		-	7.5	-	
Turn-On Delay Time	t_{d(on)}	V _{GS} = -10V, V _{DD} = -15V R _G = 3Ω, I _D = -10A	-	14.1	-	ns
Rise Time	t_r		-	20	-	
Turn-Off Delay Time	t_{d(off)}		-	94	-	
Fall Time	t_f		-	65	-	
Drain-source body diode Characteristics						
Diode Forward Voltage ⁴	V_{SD}	I _S = -1A, V _{GS} = 0V	-	-	-1.2	V
Continuous Source Current	T _A =25°C	I_S	-	-	-11.5	A

Note:

1. Repetitive rating, pulse width limited by junction temperature T_{J(MAX)}=150°C
2. The EAS data shows Max. rating . The test condition is V_{DD}= -25V, V_{GS}= -10V, L= 0.1mH, I_{AS}= -40A
3. The data tested by surface mounted on a 1 inch² FR-4 board with 20Z copper, The value in any given application depends on the user's specific board design.
4. The data tested by pulsed , pulse width ≤ 300us , duty cycle ≤ 2%.
5. This value is guaranteed by design hence it is not included in the production test..

Typical Characteristics

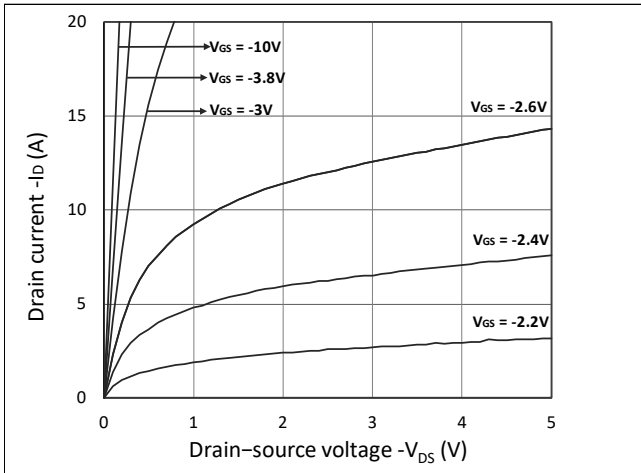


Figure 1. Output Characteristics

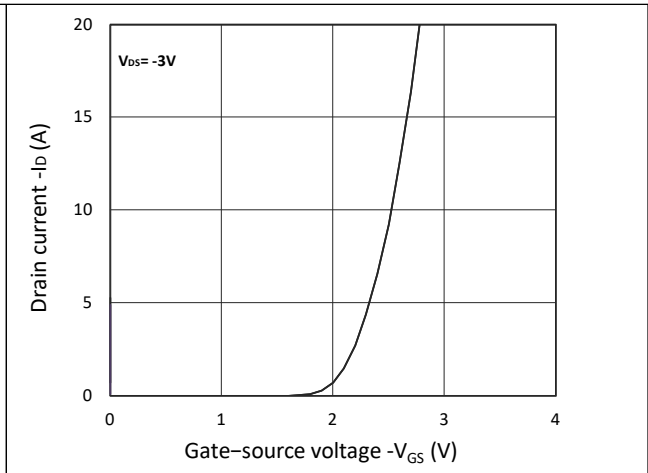


Figure 2. Transfer Characteristics

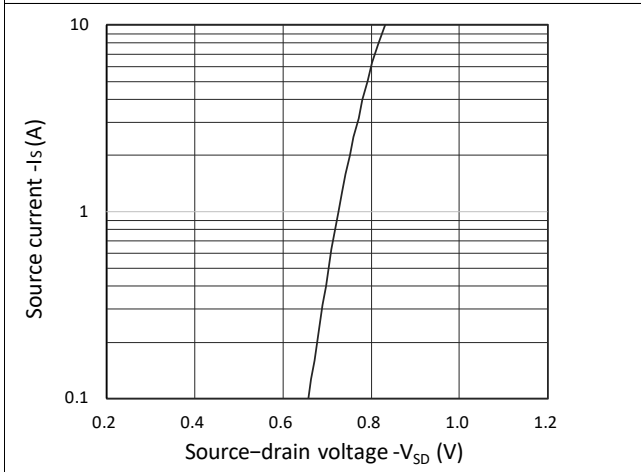


Figure 3. Forward Characteristics of Reverse

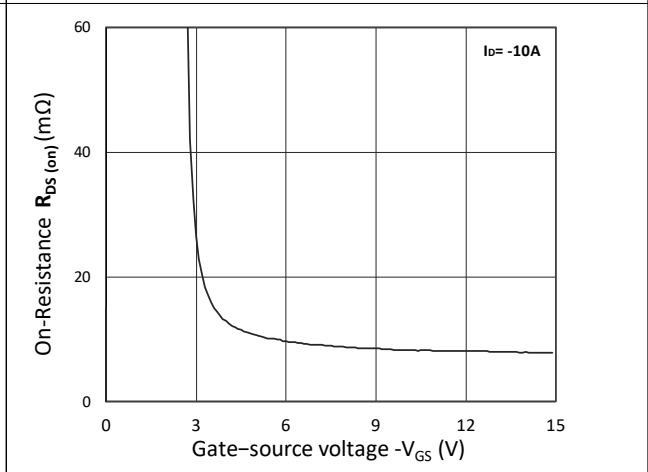


Figure 4. $R_{DS(ON)}$ vs. V_{GS}

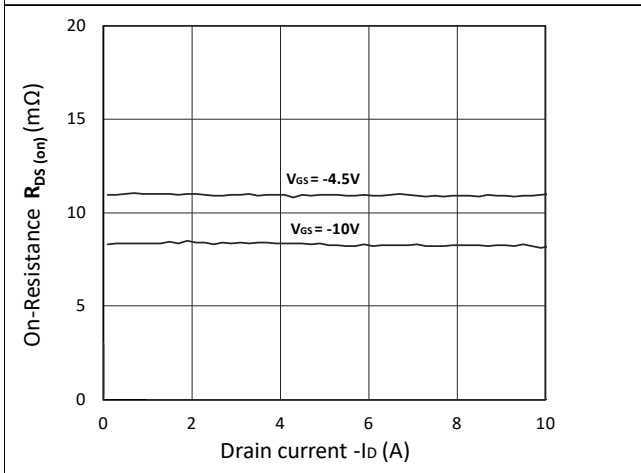


Figure 5. $R_{DS(ON)}$ vs. I_D

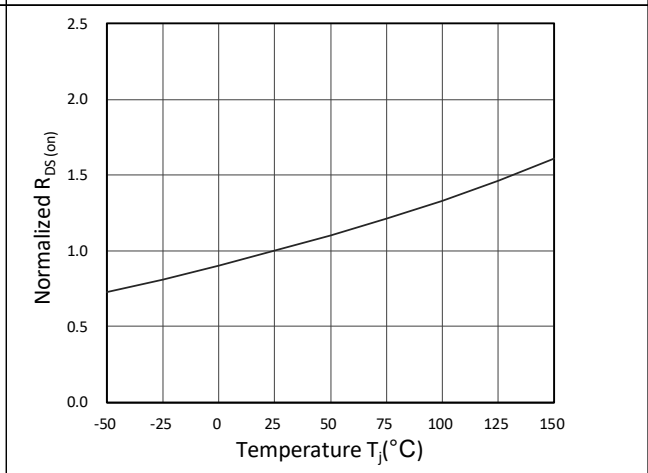


Figure 6. Normalized $R_{DS(ON)}$ vs. Temperature

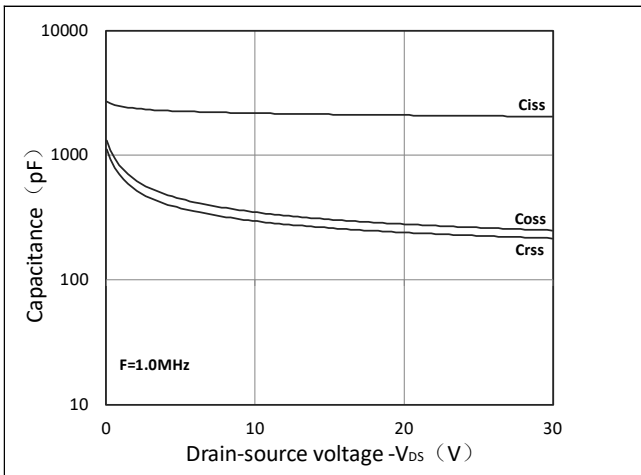


Figure 7. Capacitance Characteristics

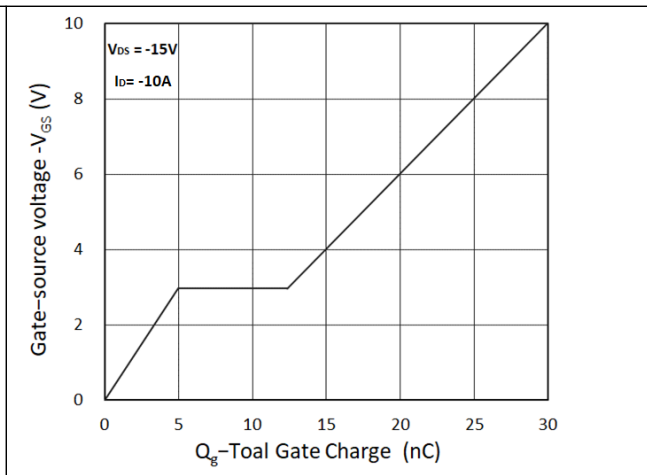


Figure 8. Gate Charge Characteristics

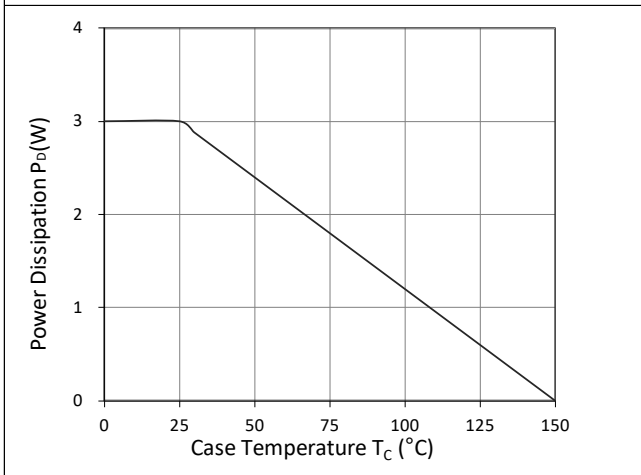


Figure 9. Power Dissipation

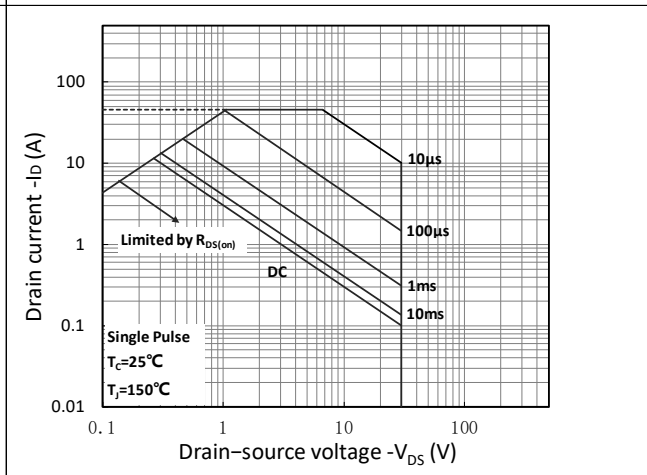


Figure 10. Safe Operating Area

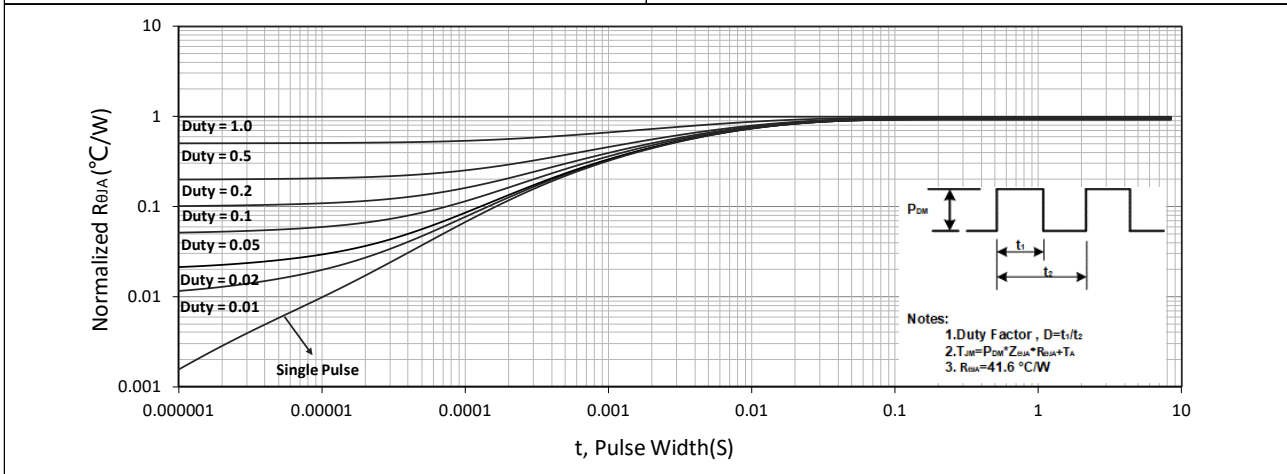


Figure 11. Normalized Maximum Transient Thermal Impedance

Test Circuit

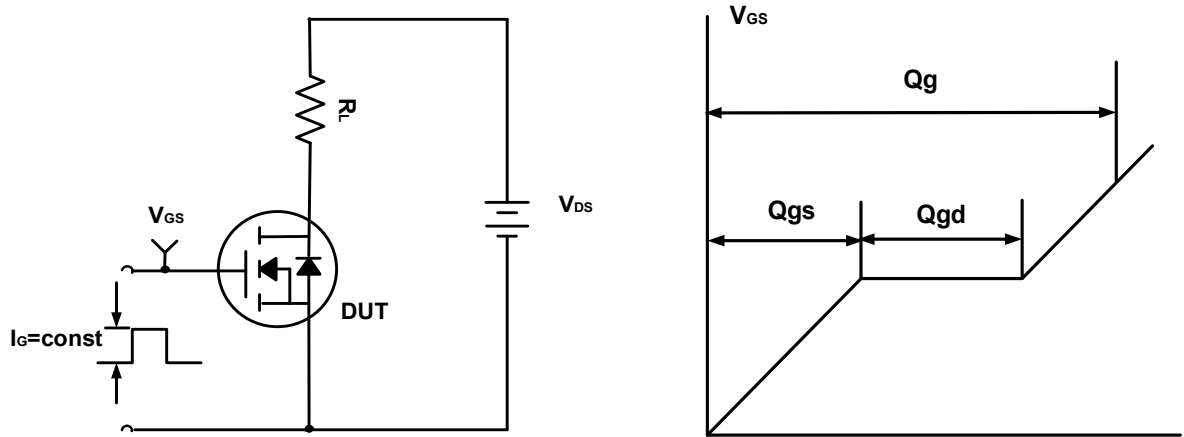


Figure A. Gate Charge Test Circuit & Waveforms

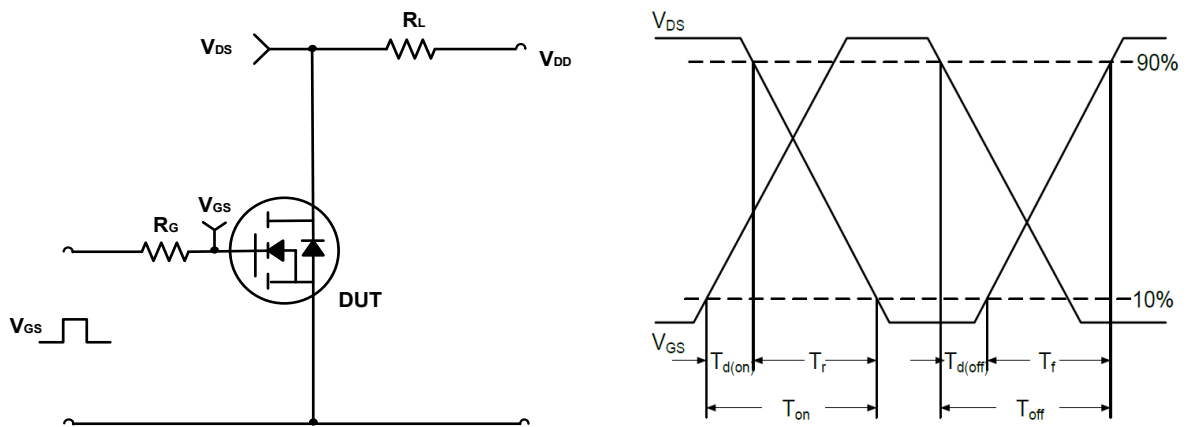


Figure B. Switching Test Circuit & Waveforms

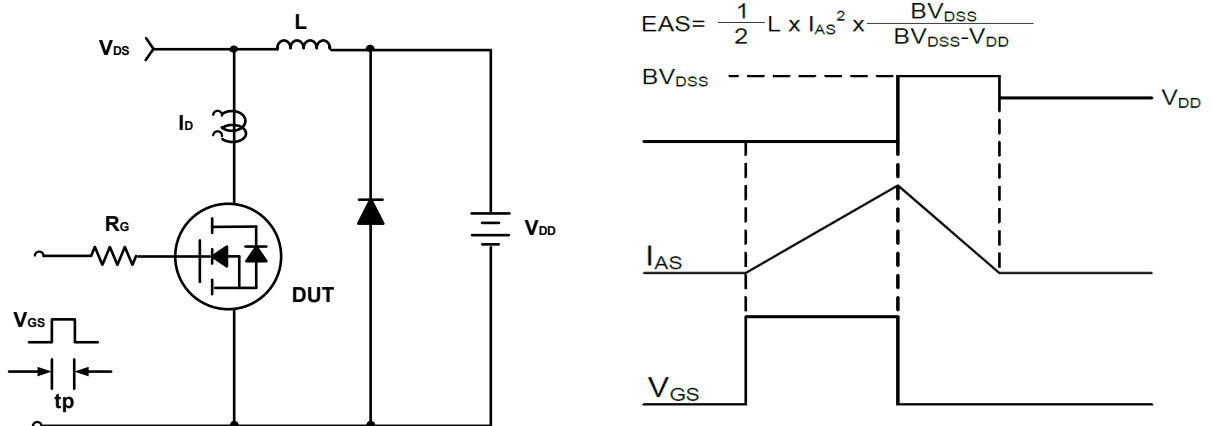
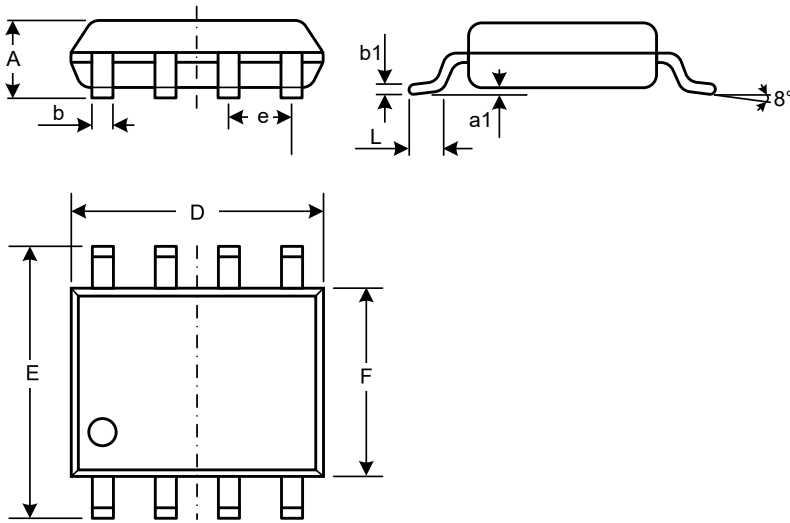


Figure C. Unclamped Inductive Switching Circuit & Waveforms

Mechanical Dimensions for SOP-8L

COMMON DIMENSIONS

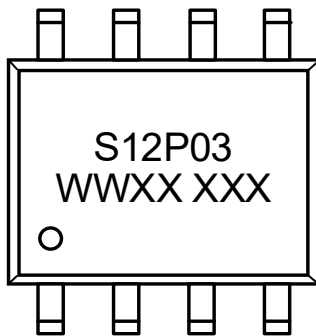


SYMBOL	MM	
	MIN	MAX
A	1.35	1.75
a1	0.05	0.25
b	0.31	0.51
b1	0.16	0.25
D	4.70	5.15
E	5.75	6.25
e	1.07	1.47
F	3.70	4.10
L	0.40	1.27

Ordering Information

Part	Package	Marking	Packing method
WMS12P03T1	SOP-8L	S12P03	Tape and Reel

Marking Information



S12P03 = Device code

WWXX XXX= Date code


Contact Information

No.1001, Shiwan(7) Road, Pudong District, Shanghai, P.R.China.201207

Tel: 86-21-50310888 Fax: 86-21-50757680 Email: market@way-on.com

WAYON website: <http://www.way-on.com>

For additional information, please contact your local Sales Representative.

 is registered trademarks of Wayon Corporation.

Disclaimer

WAYON reserves the right to make changes without further notice to any Products herein to improve reliability, function, or design. The Products are not designed for use in hostile environments, including, without limitation, aircraft, nuclear power generation, medical appliances, and devices or systems in which malfunction of any Product can reasonably be expected to result in a personal injury. The information given in this document shall in no event be regarded as a guarantee of conditions or characteristics. WAYON does not assume any liability for infringement of patents, copyrights, or other intellectual property rights of third parties by or arising from the use of Products or technical information described in this document.